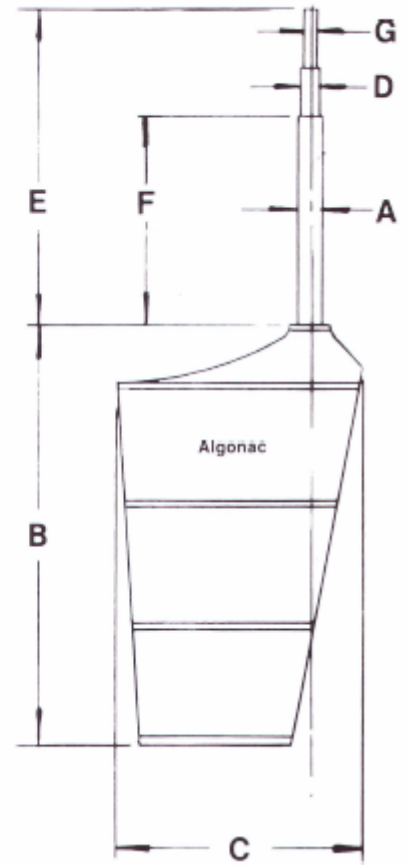




Ribbed Rudders (Machined to Specifications)

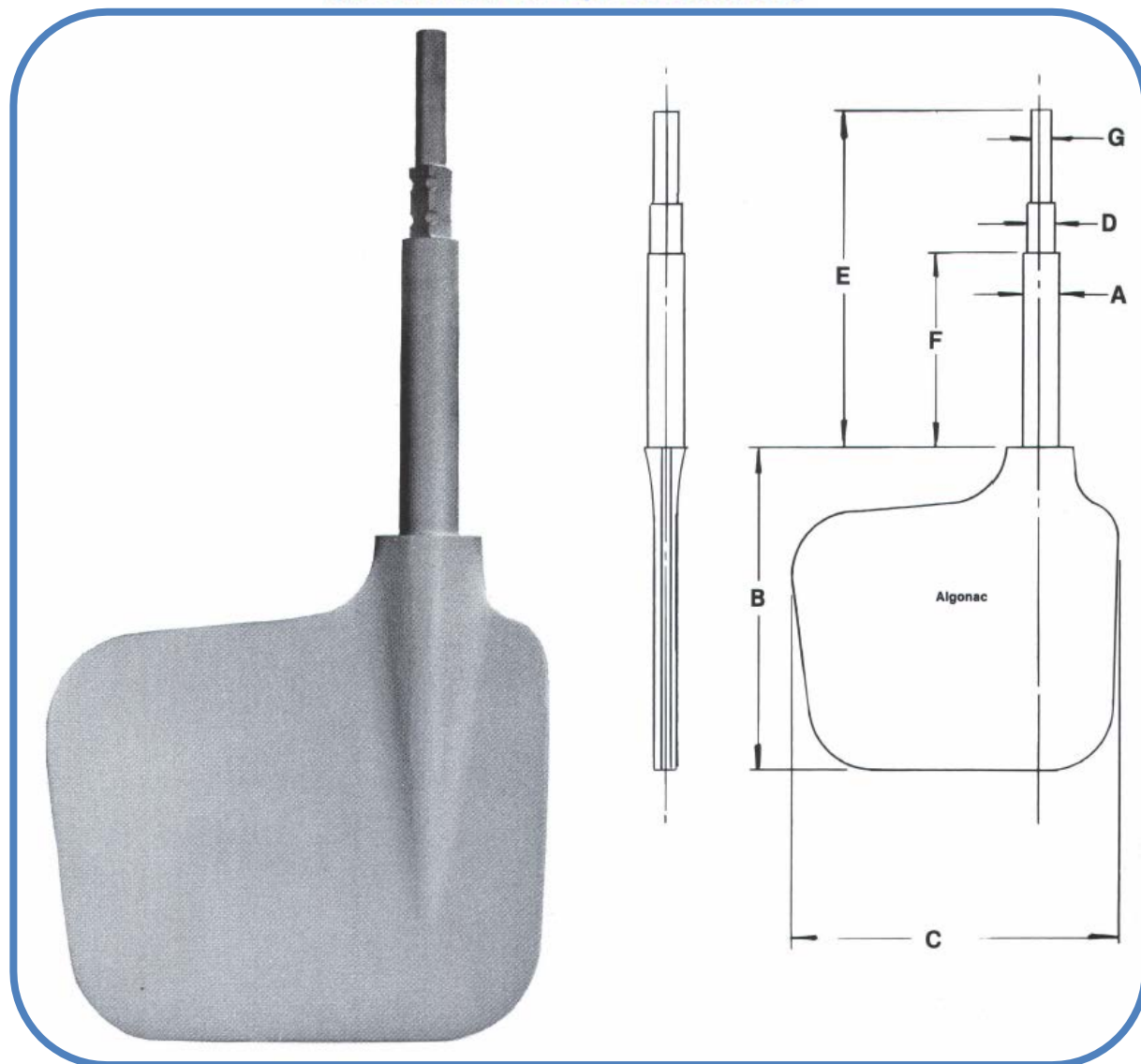


Part#	A Shaft Size	B Blade Length	C Blade Width	D Squared Area	E OA Shaft Length	F Shaft to Square or Keyway	G Rudder Collar or Bearing	Wgt.
26171	1-1/4"	17"	10-1/4"	X	13-3/4"	9-1/2"	3-1/2"	30#



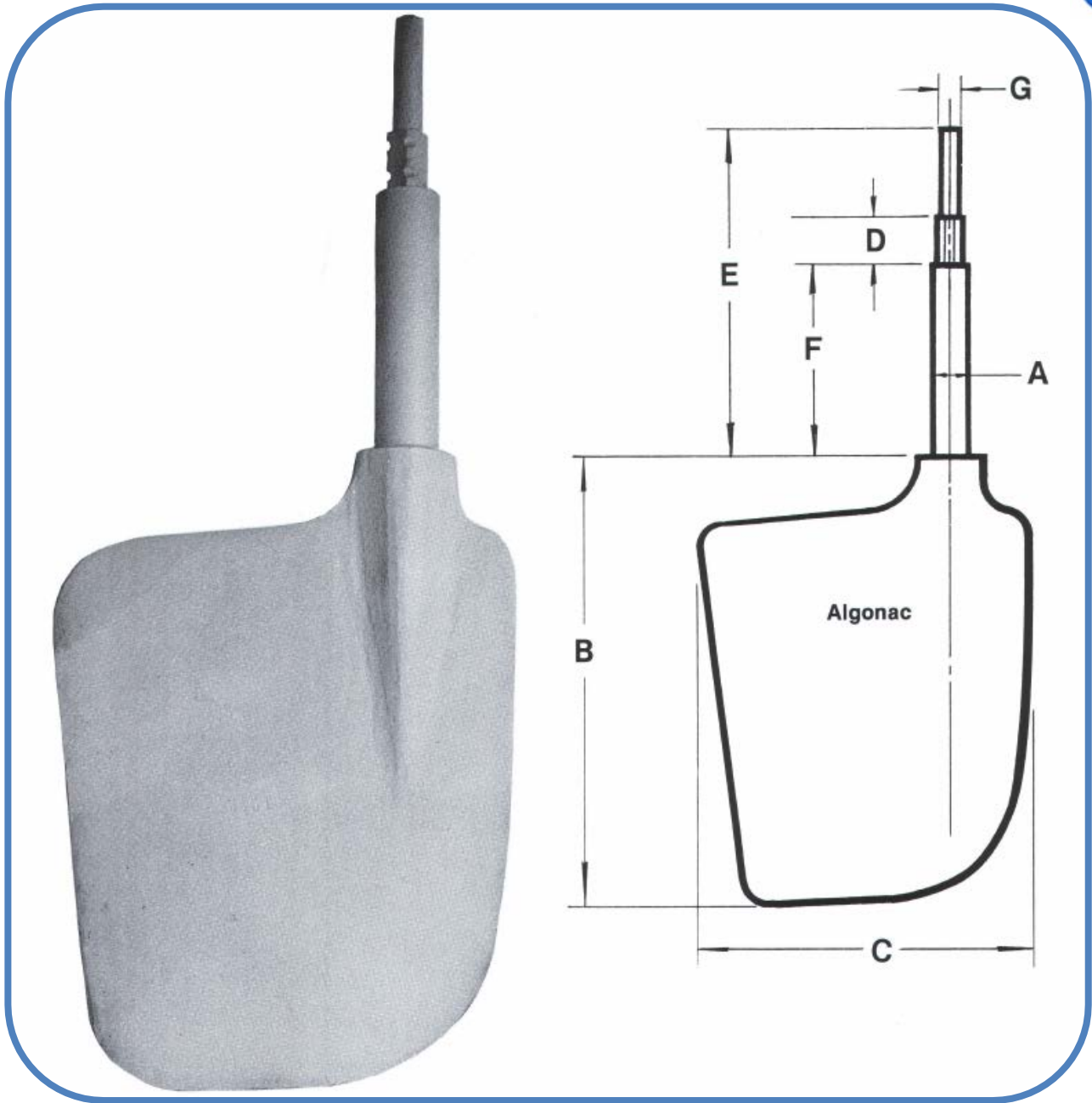
Square Rudders

(Machined to Specifications)



Part#	A Shaft Size	B Blade Length	c Blade Width	D Squared Area	E OA Shaft Length	F Shaft to Square or Keyway	G Rudder Collar or Beang	Wgt.
2600-1	3/4"	8-11/4"	8-3/8"	112" X 1-3/16"	6-3/16"	5"	X	5#
2600-2	1"	8-5/8"	10-3/4"	3/4" X 7/8"	7-1/16"	5-3/4"	5/8"	7#
2600-25	1"	9-3/16"	9"	112" X 1-3/16"	6-7/16"	5-1/4"	X	12#
2600-3	1"	9-5/8"	10-3/8"	3/4" X 7/8"	7-1/16"	5-7/8"	5/8"	8-112#
2600-27	1"	11-5/8"	6-3/8"	3/4" X 7/8"	7-11/16"	5-7/8"	5/8"	9#
42253	1"	8-1/4"	8-1/4"	X	6-11/2"	5-11/4"	X	6-3/4#
849	1"	9-3/4"	10-3/4"	X	7-1/4"	X	X	15#
26010	1-1/4"	9-3/8"	11-9/16"	7/8" X 11/16"	9-9/16"	6-1/4"	3/4"	11#
2600-10	1-1/4"	10-11/4"	12"	1" X 1-11/4"	10-3/4"	6-1/4"	7/8"	12#
75004-14	1-1/4"	11"	11"	X	11"	X	X	14#
59574	1-1/2"	19"	16"	1-11/4" X 2-3/4"	13-5/8"	7"	1-1/8"	52#

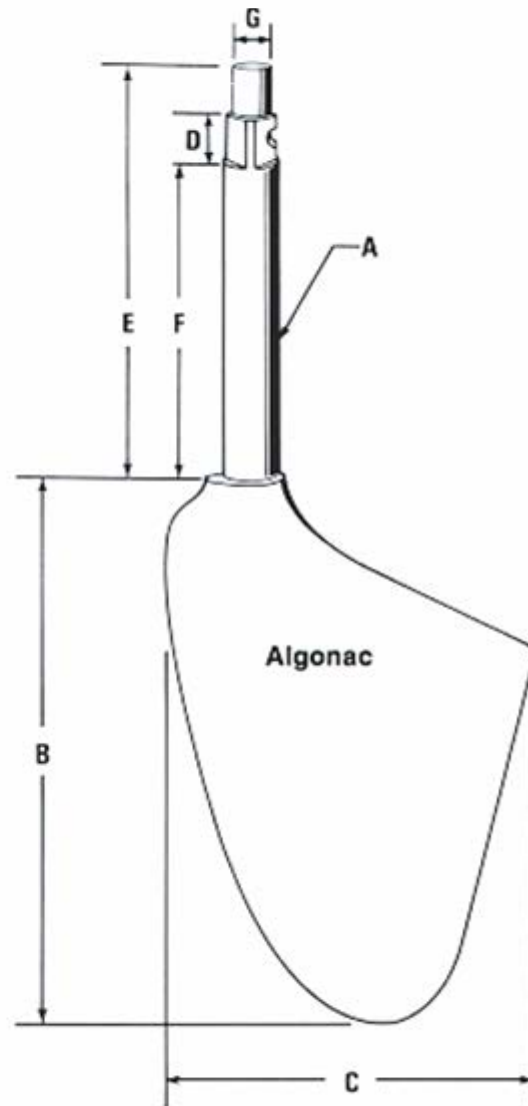
Standard Rudders



Part#	A Shaft Size	B Blade Length	C Blade Width	D Squared Area	E OA Shaft Length	F Shaft to Square or Keyway	G Rudder Collar or Bearing	Wgt.
42654	1"	15-3/4"	11"	1-1/8"X 2-1/4"	9-7/8"	6-1/2"	1"	18#
77144	1-1/4"	14"	10-3/4"	15/16"X1-5/8"	9-1/4"	5-1/4"	7/8"	21#
26061	1-1/4"	12-1/4"	16"	X	11-1/2"	X	X	22-1/2#
2600-11	1-1/4"	14-1/4"	10-3/4"	3/4"X 1-1/2"	10-9/16"	6-1/4"	5/8"	19#
2600-12	1-1/4"	14-1/2"	10-3/4"	3/4"X 3/4"	11"	6-1/4"	5/8"	19#
26006	1-1/4"	14-1/4"	10-3/4"	7/8"X15/16"	10-1/2"	6-7/8"	3/4"	22#
10484	1-1/4"	15"	10-3/4"	X	17"	X	X	19-1/2#
75314	1-1/4"	15"	11"	1-1/8"X1-1/2"	11"	6-1/4"	1"	17-1/4#
75014	1-1/2"	12-1/2"	10-1/2"	15/16"X1-1/2"	10-3/4"	6-1/4"	7/8"	21-1/4#
76804	1-3/4"	20-1/2"	12-1/4"	1-1/2"X2-3/4"	13-3/8"	6-7/8"	X	48-1/4#

Tear Drop Rudders

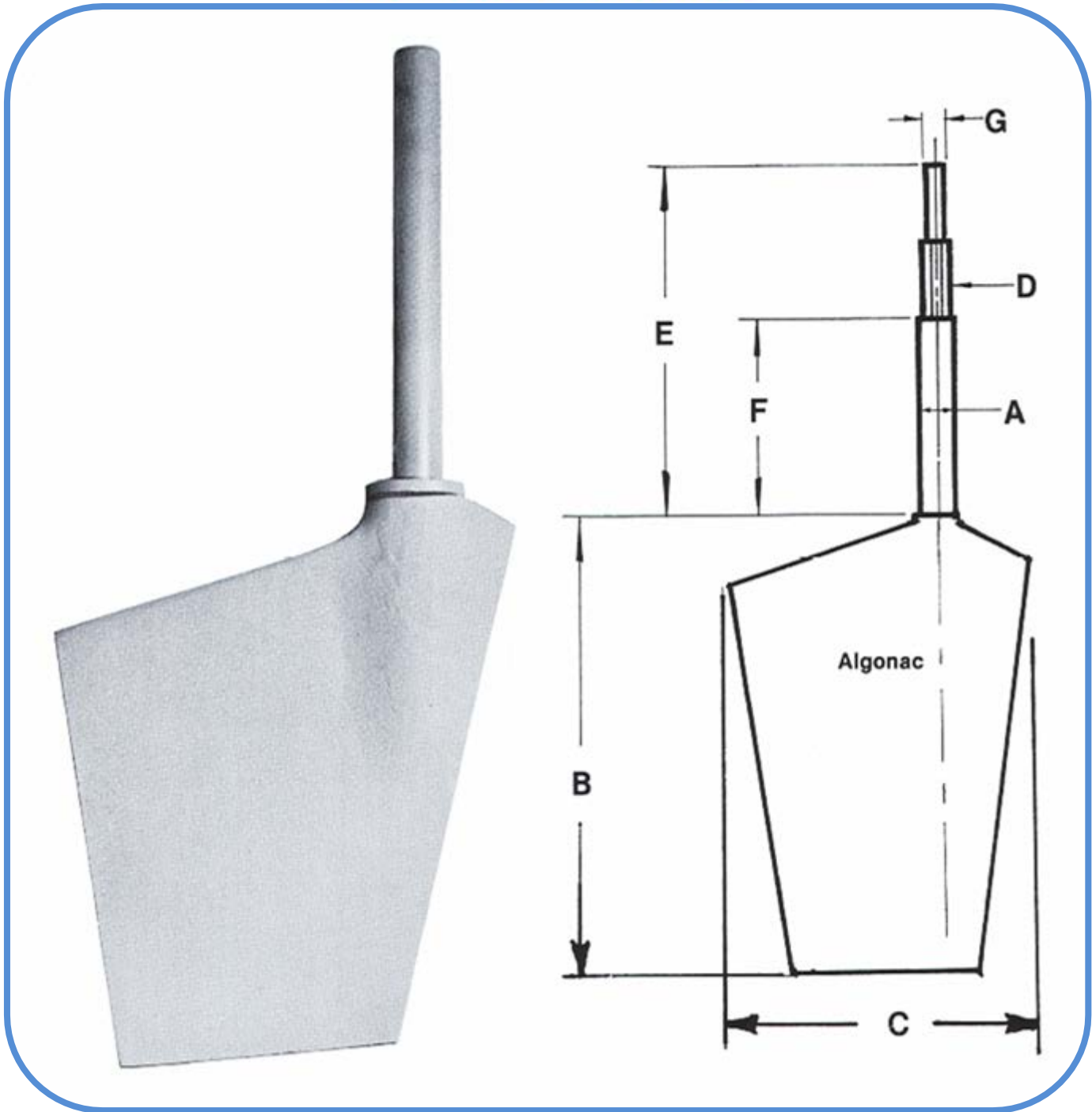
(Machined to Specifications)



Part#	A Shaft Size	B Blade Length	C Blade Width	D Squared Area	E OA Shaft Length	F Shaft to Square or Keyway	G Rudder Collar or Bearing	Wgt.
6147	1"	10-1/2"	8-1/4"		9"	6-1/4"	X	14#
C-800	1"	13"	9-1/4"	X	9-3/8"	X	X	18#
2600-26	1"	10-3/4"	6-1/4"	3/4" X 13/16"	8-11/16"	5-1/4"	5/8"	12#
2600-6	1"	11-1/8"	8-5-32"	3/4" X 1-3/16"	6-7/16"	5-1/4"	X	13#
2600-23	1"	11-3/16"	8-1/2"	3/4" X 13/16"	8-11/16"	5-1/4"	5/8"	7#
75074	1"	13"	8-1/2"	X	9"	6-3/8"	X	10#
75304	1"	14"	10-1/4"	7/8" X 15/16"	6-1/4"	5-3/8"	X	20#
69434	1-1/2"	13-1/2"	8"	X	9-3/4"	X	X	19#

Spade Rudders

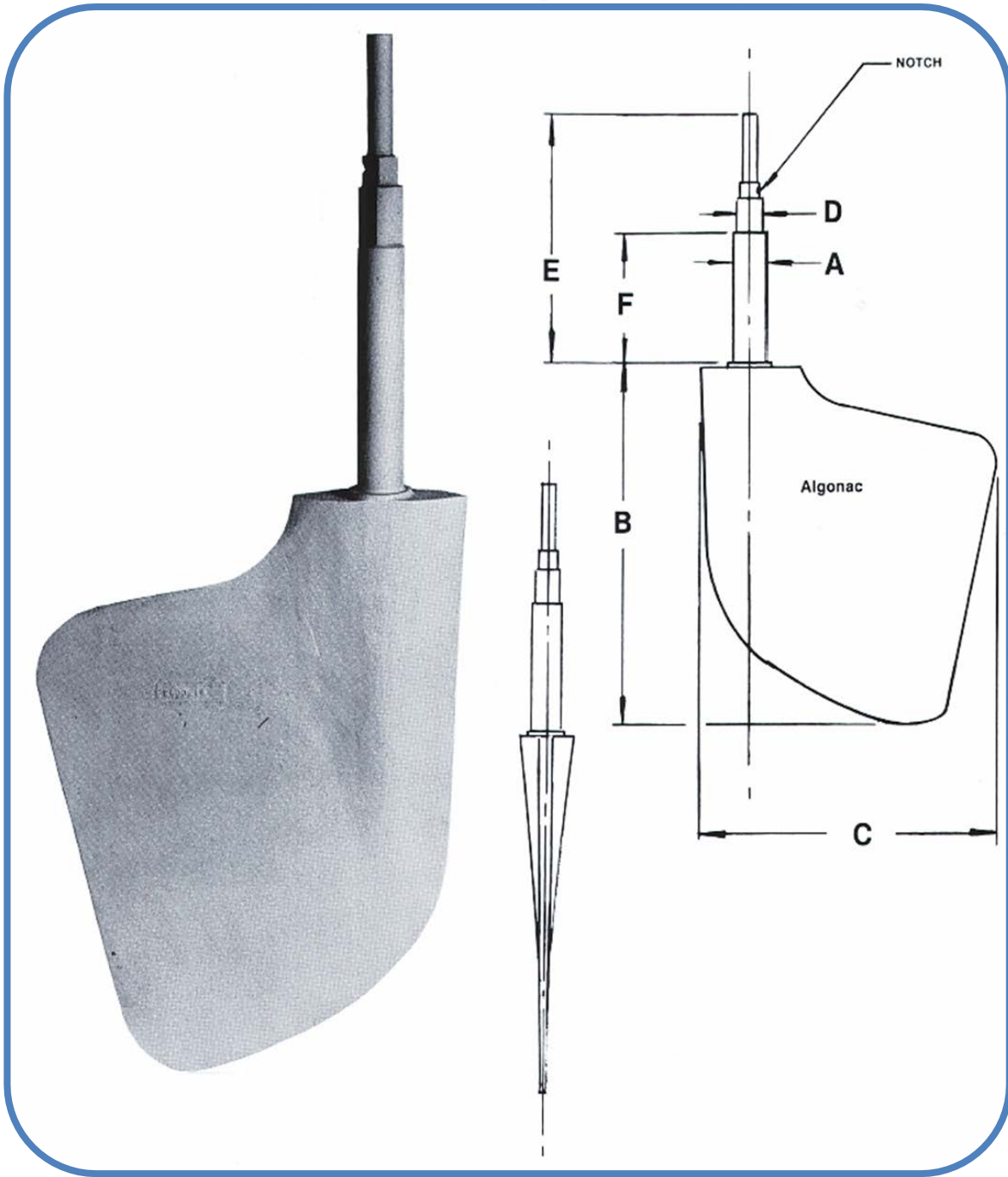
(Machined to Specifications)



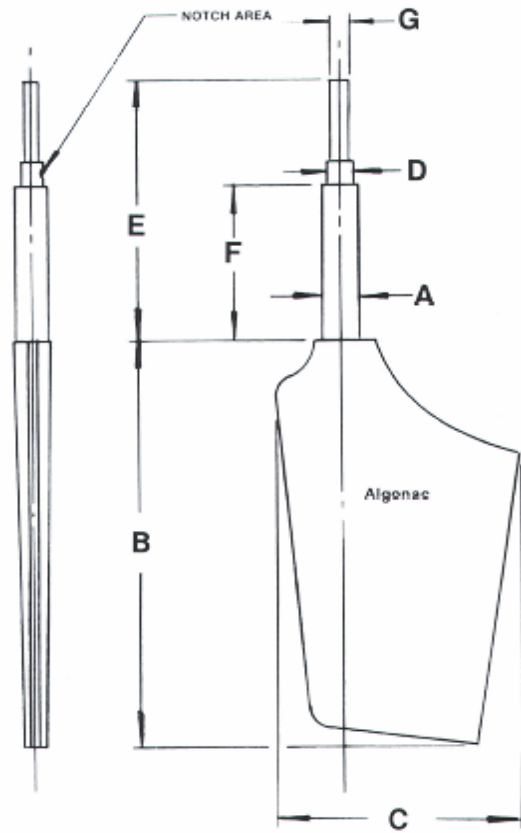
Part#	A Shaft Size	B Blade Length	C Blade Width	D Squared Area	E OA Shaft Length	F Shaft to Square or Keyway	G Rudder Collar or Bearing	Wgt.
26155	1"	14-1/2"	10-5/16"	3/4" X 3/4"	12-3/8"	8-1/4"	5/8"	19#
75524	1-1/4"	14-1/2"	10-1/8"	X	12-1/4"	8-1/4"	X	19#
26165	1-1/4"	15"	10-1/2"	X	14-1/4"	11-1/8"		23-1/2#
26254	1-1/4"	17"	10"	1" x 1-3/4"	13"	8-1/4"	7/8"	23-1/2#

Cruiser Rudders

(Machined to Specifications)



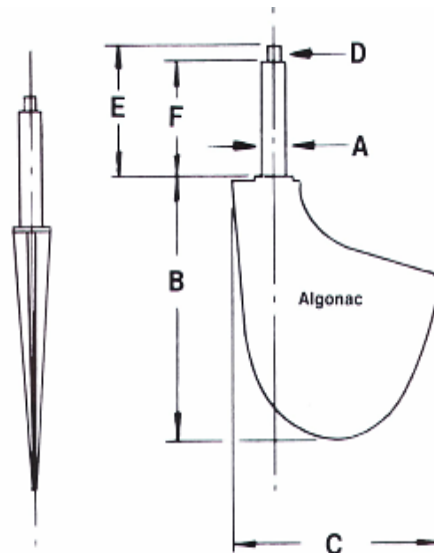
Part#	A Shaft Size	B Blade Length	C Blade Width	D Square d Area	E OA Shaft Length	F Shaft to Square or Keyway	G Rudder Collar or Bearnig	Wgt.
63514	1-1/4"	15-1/2"	12"	1"X 2-3/4"	13-1/2"	7"	7/8"	24-1/2#
61494	1-1/4"	13-3/4"	9-1/2"	X	10-7/8"	X	X	15#
26062	1-1/4"	15-1/2"	13-1/2"	X	12-1/4"	9-1/8"	X	26-1/2#
56734	1-1/2"	12"	13-1/2"	1-1/4"X 1-1/4"	13-1/2"	8-1/4"	1-1/8"	17-1/2#
75024	1-3/4"	20-13/32"	14-7/16"	1-11/16"X 1-3/16"	14-3/4"	6-7/8"	1-9/16"	48#
75504	1-3/4"	20"	8-3/4"	1-3/16"X 2-11/16"	14-3/4"	6-7/8"	1-1/8"	36#
77214	1-3/4"	24-3/8"	16"					
75534	1-3/4"	21"	15-5/8"		14-25/32"	6-7/8"	9-9/16"	



Performance Rudders (Machined to Specifications)

Due to the high-torque and stability requirements of ski, performance or drag rudders, Algonac does not recommend rudders for this use of less than 1-1/4" shaft stock.

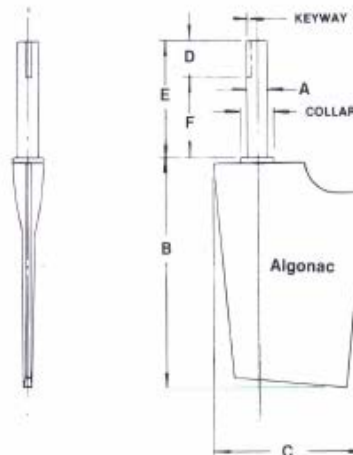
Part#	A Shaft Size	B Blade Length	C Blade Width	D Squared Area	E OA Shaft Length	F Shaft to Square or Keyway	G Ruder Collar or Bearing	Wgt.
77364	1-1/4"	10-3/4"	8"					
26159	1-1/4"	14"	8"					
26361	1-1/4"	16-1/4"	8"					
77114	1-1/4"	14-3/4"	8"					
26332	1-1/4"	16-1/4"	8"					
26333	1-1/4"	14-3/4"	8-1/4"					
77054	1-1/2"	16"	9-1/2"					
26335	1-1/2"							
26339								
26324	1-1/4"	3/4"	9-3/4"					
26323	1-1/4"							



Ski Rudders
(Machined to Specifications)

Due to the high-torque and stability requirements of ski, performance or drag rudders, Algonac does not recommend rudders for this use of less than 1-1/4" shaft stock.

Part#	A Shaft Size	B Blade Length	C Blade Width	D Squared Area	E OA Shaft Length	F Shaft to Square or Keyway	G Rudder Collar or bearing	Wgt.
26353	1-1/4"	12-3/4"	9-1/8"	3/4" x 3/4"	1-1/2"	7"	X	12-1/2#
26354	1-1/4"	12-13/16"	10"	3/4" x 3/4"	1-1/4"	6-5/8"	X	14#



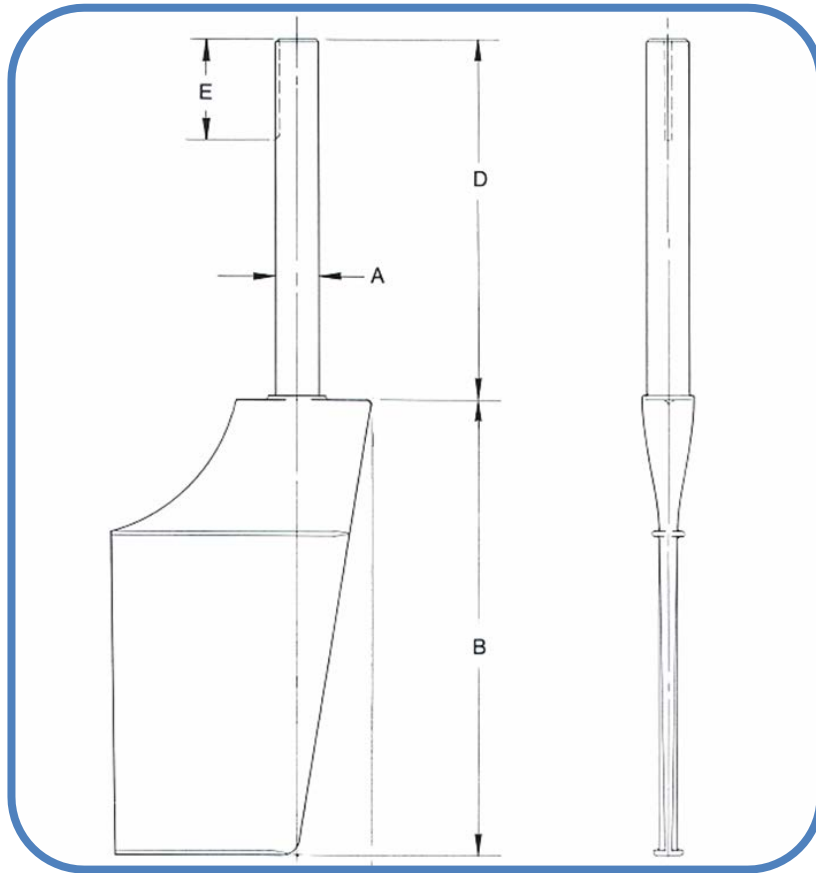
Drag Rudders
(Machined to Specifications)

Due to the high-torque and stability requirements of ski, performance or drag rudders, Algonac does not recommend rudders for this use of less than 1-1/4" shaft stock.

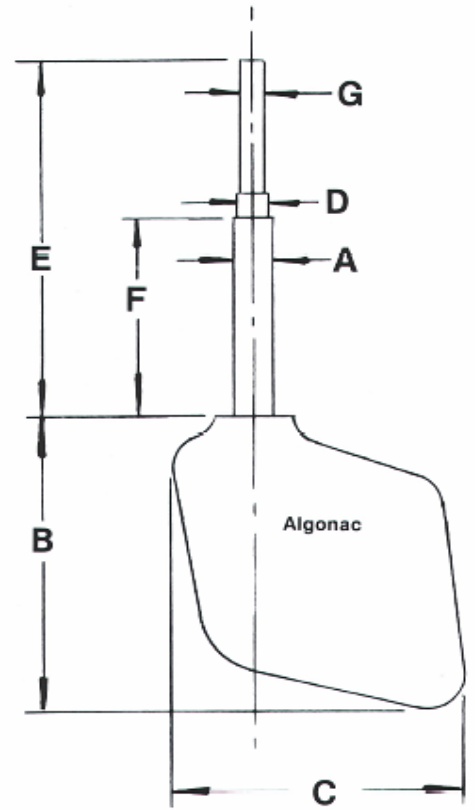
Part#	A Shaft Size	B Blade Length	C Blade Width	D Squared Area	E OA Shaft Length	F Shaft to Square or Keyway	G Rudder Collar or bearing	Wgt.
26362	1-1/4"	12"	7-1/2"	3/4" x 3/4"	7"	5"	1-1/4"	13#
26160	1-1/4"	13-1/2"	9-1/4"	X	7-1/4"	X	X	21-1/2#
26161	1-1/4"	11-1/2"	9-1/2"	3/4" x 3/4"	6-3/4"	4"	2"	15#

Taper Rudders

(Machined to Specifications)

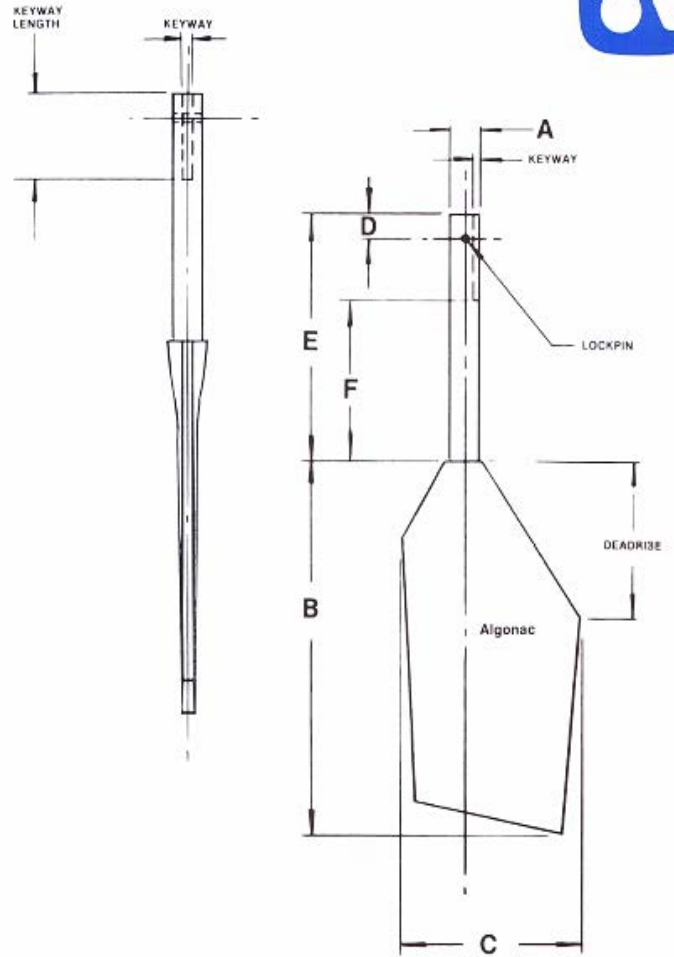
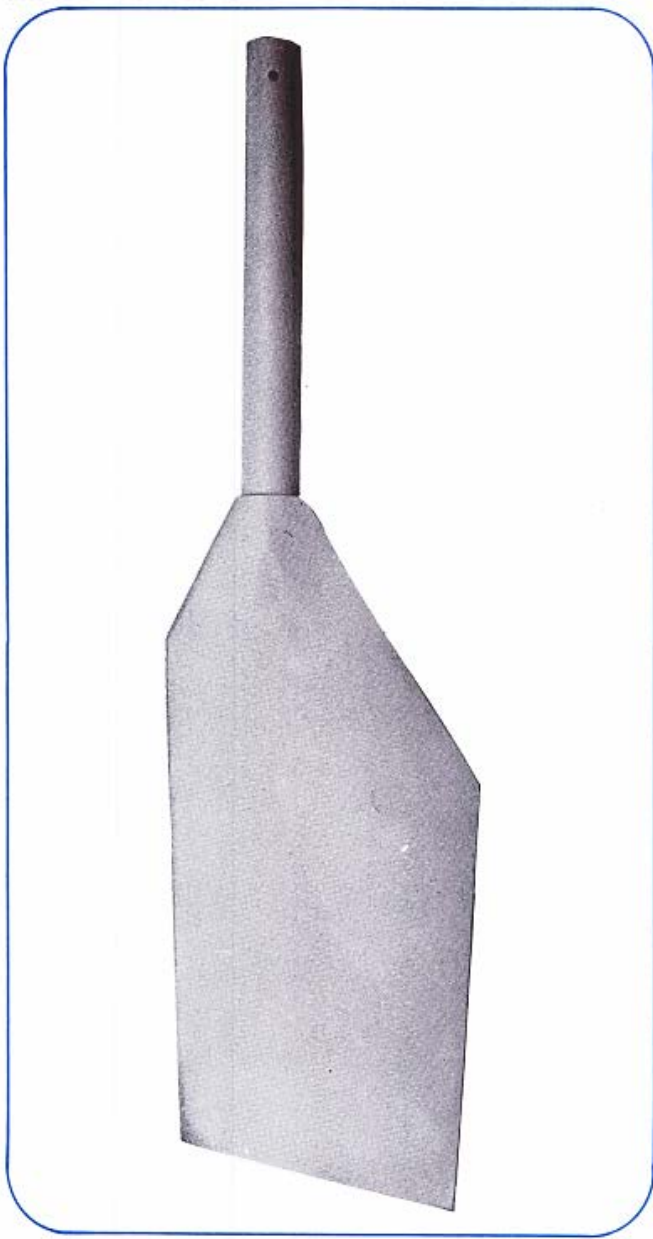


Part#	A Shaft Size	B Blade Length	C Blade Width	D Shaft Length	E Key Length	Shaft Type
26340	2"	28.38	16.12	15.00	6.00	Stainless Steel
26341	2"	23.31	14.68	17.75	4.25	Cast Bronze
26342	1-1/2"	15.82	9.13	12.50	3.50	Cast Bronze
26343						
26344	1-1/2"	17.49	10.16	11.25	3.50	Stainless Steel
26345	2-1/2"	28.38	16.12	16.00	6.25	Stainless Steel
26346	3"	28.38	16.12	15.00	6.00	Stainless Steel
26347						
26348	1-1/2"	15.82	9.13	12.50	3.50	Cast Bronze
26349	1-1/4"	14.00	7.38	17.12	3.25	Cast Bronze
26350	2"	23.19	12.18	16.00	5.50	Stainless Steel
26540	1-1/2"	17.63	9.38	13.94	3.25	Cast Bronze
26541	2"	27.81	15.83	17.75	6.25	Cast Bronze
26542	2"	23.31	14.69	15.44	6.25	Cast Bronze
26543	1-1/4"	18.50	9.25	11.75	3.25	Cast Bronze
26544						
26545						
26546						
26547						
26548	2-1/2"	24.87	11.00	17.75	6.25	Stainless Steel
26549	2"	24.87	11.00	17.75	6.25	Stainless Steel
26550						



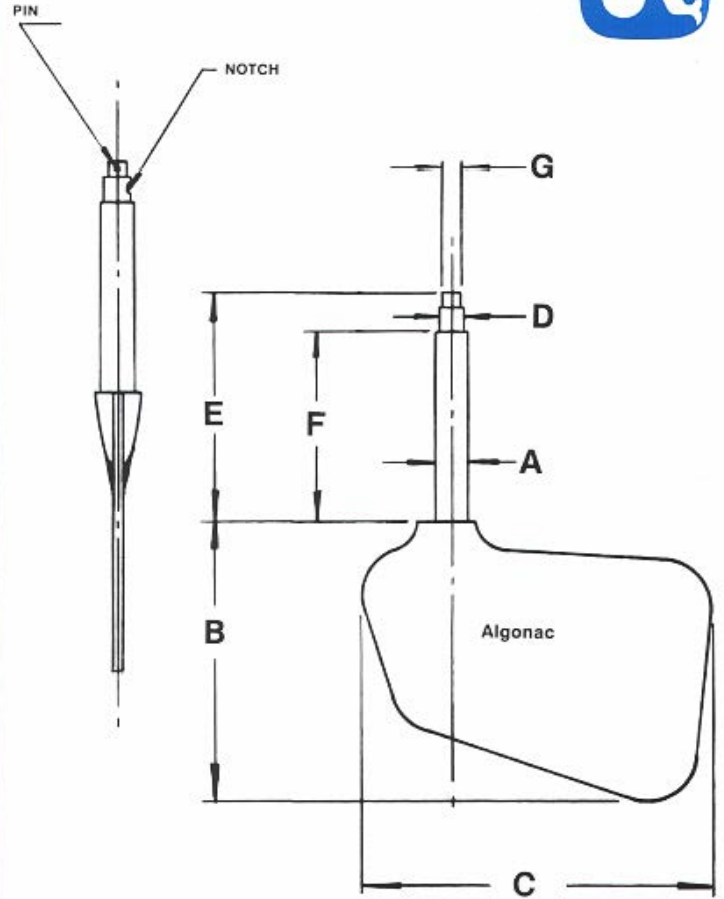
Runabout Rudders
(Machined to Specifications)

Part#	A Shaft Size	B Blade Length	C Blade Width	D Squared Area	E OA Shaft Length	F Shaft to Square or Keyway	G Rudder Collar or Bearing	Wgt.
C-287	1"	9-1/4"	8"	3/4" X 1"	9-7/8"	5"	5/8"	8-1/2#
26105	1"	8-1/2"	7-3/4"	3/4" X 5/16"	10-7/8"	6"	5/8"	7#
42753	1"	11-1/2"	11-1/2"	X	7-1/8"	X	X	11-1/4#
C-766	1"	11"	6-3/4"	3/4" X 1"	9-1/4"	5"	5/8"	15#
2600-29	1"	13"	11"	3/4" X 1-1/4"	12-1/4"	8"	5/8"	19#



Wedge Rudders
(Machined to Specifications)

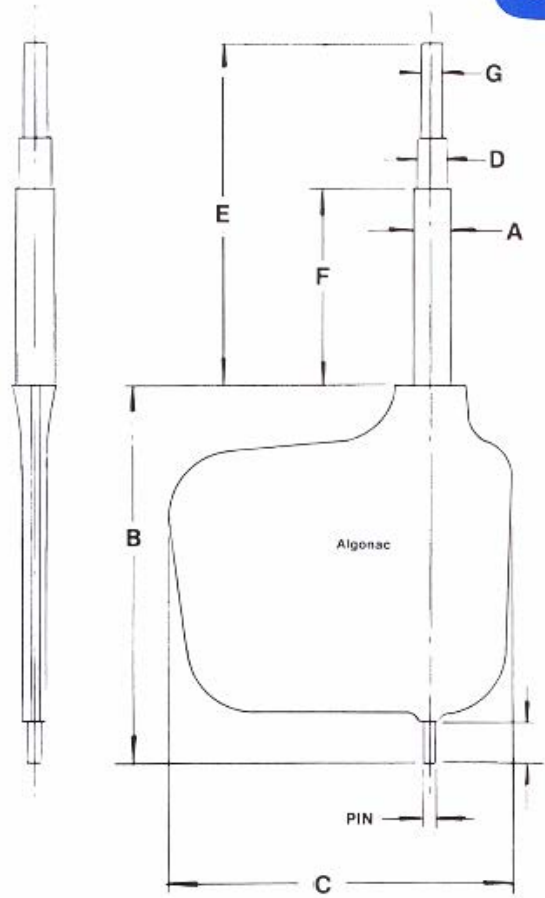
Part#	A Shaft Size	B Blade Length	C Blade Width	D Squared Area	E OA Shaft Length	F Shaft to Square or Keyway	G Rudder Collar or Bearing	Wgt.
C-803	1"							9.75#
26364	1-1/4"							
26369	1-1/4"							
26172	1-1/4"							
26385	1-1/4"	18-1/2"	6-1/2"	X	9-1/2"	X	X	13-1/2#
26386	1-3/4"	19-1/2"	10-1/2"	X	14-1/4"	X	X	40#
26387	1-1/2"	19-1/2"	10-1/2"	X	14-1/4"	X	X	40#
26388	1-1/4"			X		X	X	27#
26389	1-1/2"			X		X	X	32#



Fan Rudders

(Machined to Specifications)

Part#	A2 Shaft Size	B Blade Length	C Blade Width	D Squared Area	E OA Shaft Length	F Shaft to Square to Keyway	G Rudder Collar or Bearing	Wgt.
26010	1-1/4"	12"	15"	1" X 2"	12-1/4"	6-1/4"	7/8"	18-1/2#
26600	1-1/4"	10-1/2"	11-1/2"	3/4" X 1"	11"	6-3/8"	5/8"	11-1/2#
56913	1-1/4"	9"	9-3/4"	1-1/4" X 2"	10-3/4"	5-1/2"	1-1/8"	11#



Skeg Rudders
(Machined to Specifications)

Part#	A Shaft Size	B Blade Length	C Blade Width	D Squared Area	E OA Shaft Length	F Shaft to Square or Keyway	G Rudder Collar or Bearing	Wgt.
26500	1-1/4"	18"	16-1/4"	X	13-3/4"	7-1/2"	X	37#

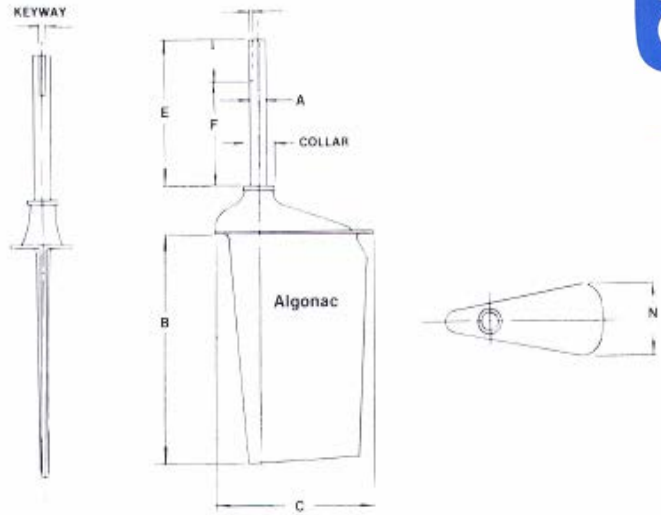


Outboard Rudder Assembly

Consisting of: Rudder Back-Up Plate
 Housing Rudder Arm
 Rudder Collar "O" Ring and Zerk

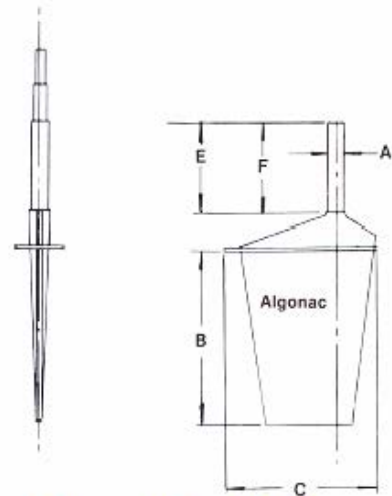
This Assembly may be made up with many styles of cavitation rudders and housings.

Specify Transom Angle



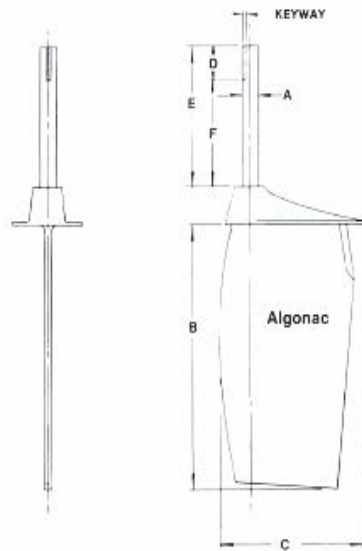
Cavitation Rudder — “A”
(Machined to Specifications)

Part#	A Shaft Size	B Blade Length	C Blade Width	E OA Shaft Length	F Shaft to Square or Keyway	N	Wgt.
26208	1-1/4"	16"	12-1/8"	10-1/4"		5"	24#
26162	1-1/4"	15"	15"	7-1/2"	X	5"	33#
26170	1-1/4"	15-3/4"	15-3/4"	10		4-3/4"	39#



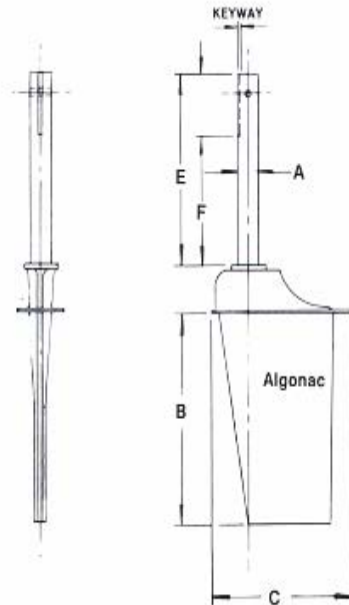
Cavitation Rudder — “B”
(Machined to Specifications)

Part#	A Shaft Size	B Blade Length	C Blade Width	E OA Shaft Length	F Shaft to Square or Keyway	N	Wgt.
26150	1"	11-1/4"	7-1/4"	9-3/8"		2-7/8"	12#



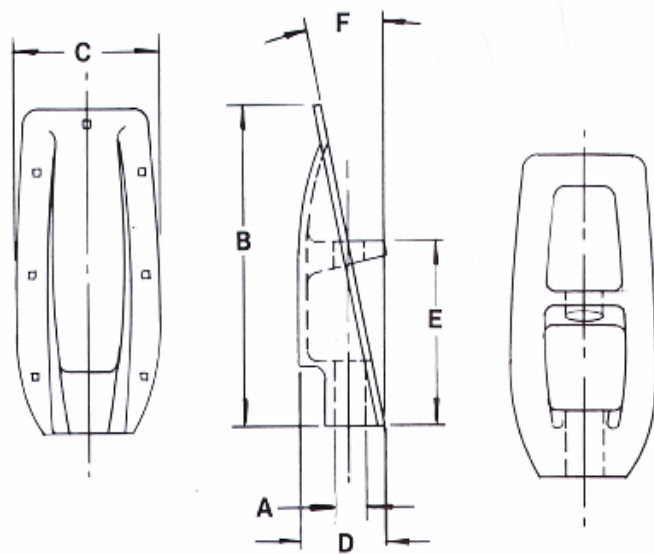
Cavitation Rudder — “C”
(Machined to Specifications)

Part#	A Shaft Size	B Blade Length	C Blade Width	E OA Shaft Length	F Shaft to Square or Keyway	N	Wgt.
26206	1-1/4"	18"	8-1/2"	11-1/2"		3-3/4"	40#



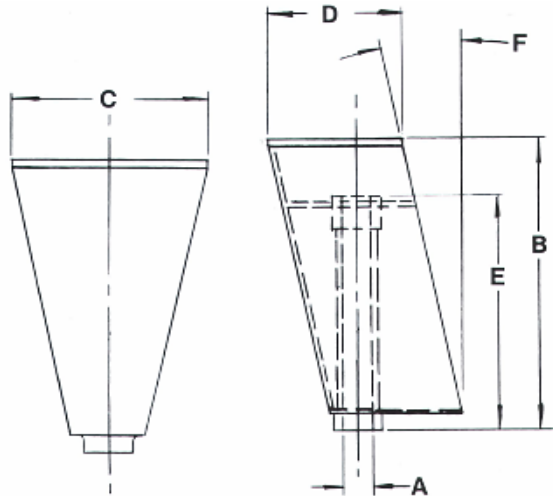
Cavitation Rudder — “D”
(Machined to Specifications)

Part#	A Shaft Size	B Blade Length	C Blade Width	E OA Shaft Length	F Shaft to Square or Keyway	N	Wgt.
76744	1-1/4"	16-3/4"	8"	10-5/8"	x	6"	25-1/4#



Outboard Housing — “A”

Part#	A Shaft Size	B Overall Height	C Width	D Extension	E Height to Arm	F Transom Angle	Fastener	Wgt.
26608	1-1/4"	13"	6-1/2"	5-1/4"	8"	12		12#
26610	1-1/4"	13"	7-1/8"	4-1/2"	8"	12		18#



Outboard Housing — “C”

Part#	A Shaft Size	B Overall Height	C Width	D Extension	E Height to Arm	F Transom Angle	Fastener	Wgt.
26605	1-1/4"	17-1/4"	7"	4-3/4"	14-1/2"	13		27#



**Blind Fastener or Thru Bolt
Type Stabilizer Fin
Mang. Bronze or Aluminum**
(Available in Other Sizes)

Part#	Base Length	Base Width	Height	Finish	Fasteners	Wgt.
26400	7-3/4"	3-1/2"	7-1/2"	Polished	1/2" Studs	6#
26410	7-3/4"	3-1/2"	7-1/2"	Polished	6-3/8" Bolts	6#



**Narrow Base Stabilizer Fin
Manganese Bronze
or Aluminum**
(Available in Other Sizes)

Part#	Base Length	Base Width	Height	Finish	Fasteners	Wgt.
26415	8-5/8"	1-3/4"	6"	Polished	8-1/4" Bolts	4#