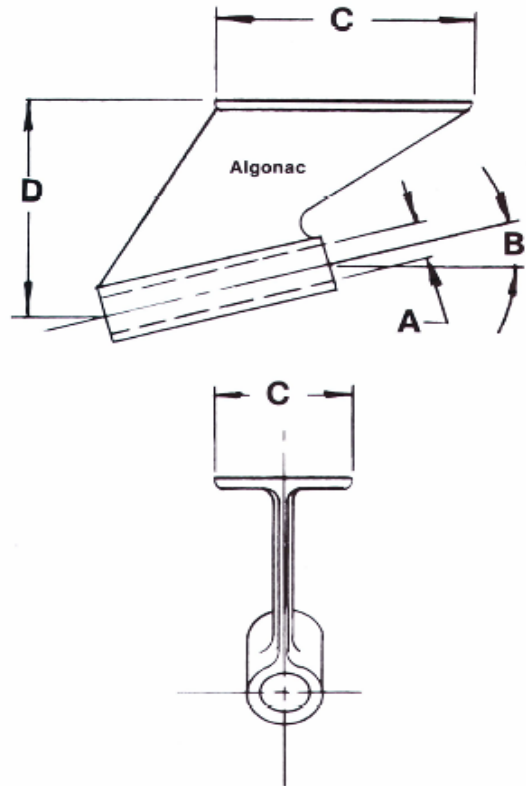
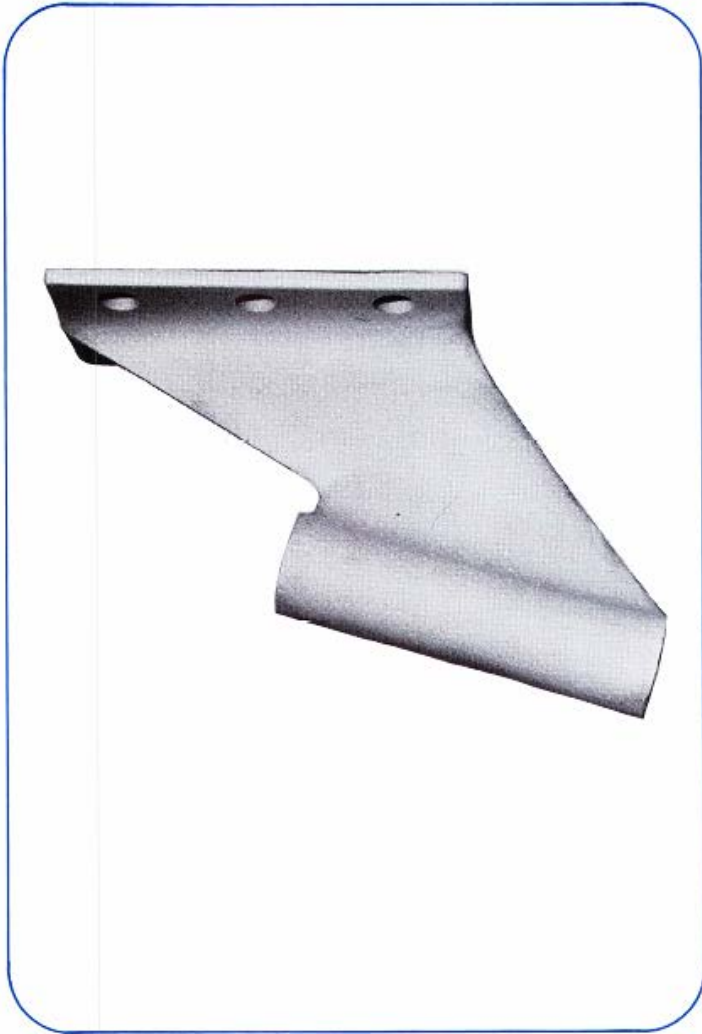


Hi-Speed Struts with Rubber Bearing

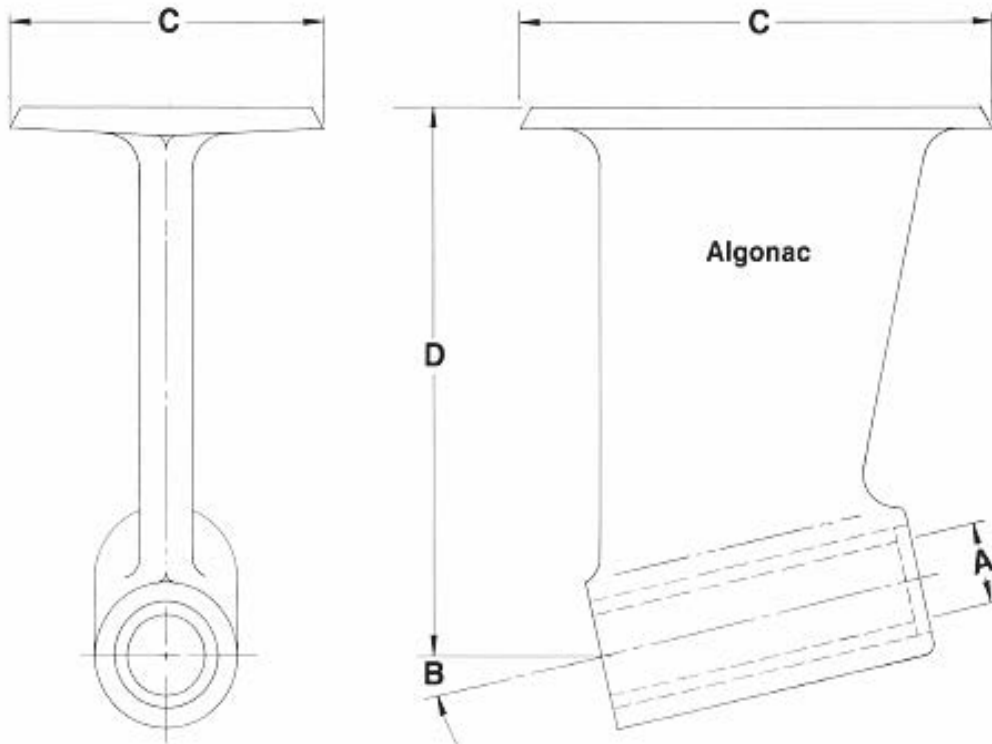
(Backing Plates Available Upon Request)



Part#	A Shaft Size	B Degree of Angle	C Base Size	D Drop Overall	E Drop Aft.	G Drop Forward	Wgt.
25102	1"	15	6" x 9-1/2"	8-1/2"	8"	6"	11-1/2#
25106	1"	15	5" x 9"	9-1/4"	8"	6-1/2"	11-1/2#
25110	1"	16	4" x 7-1/2"	7-3/8"	6-3/4"	4-3/4"	9-3/4#
25107	1-1/4"	12	4-1/4" x 9-3/4"	9-1/8"	8"	7"	11-1/2#
25105	1-1/4"	16	4-1/2" x 9-7/8"	7-3/4"	6-7/8"	5-1/2"	10#
C-790	1-1/4"	17	3-1/2" x 9"	7-1/8"	6-3/8"	4-3/4"	6#
75843	1"	17 15	6-1/4" x 10"	6-5/16"	5-5/16"	4-1/2"	8-1/2#
C-725	1"	16	3-1/2" x 10 5/8"	8"	6-5/8"	4-1/4"	7-3/4"
C-757	1"	15	3-1/2" x 9"	6-5/8"	6-1/16"	4"	6"



Standard Struts





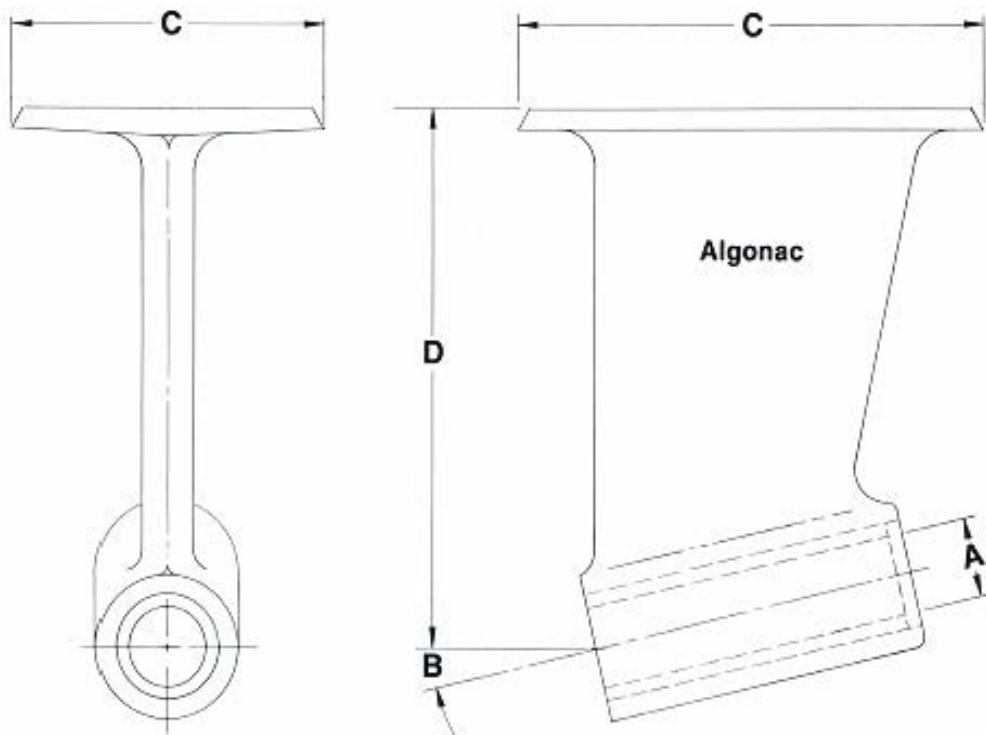
Standard Struts with Rubber Bearing

(Backing Plates Available Upon Request)

Part#	A Shaft Size	B Degree of Angle	C Base Size	D Drop Overall	E Drop Aft.	G Drop Forward	Wgt.
45073	1-1/4"	12°	6" x 6"	8-3/4"	7-5/8"	6-5/8"	10#
42853	1-1/4"	18°15'	6" x 6"	10-1/4"	9-1/4"	8"	13-1/2#
25734	1-1/4"	12°45'	9-1/2" x 8-1/8"	10"	9-1/8"	7-1/2"	22-1/4#
70973	1-1/4"	12°15'	5" x 6"	10-1/2"	8-1/2"	8-1/64"	10#
25344	1-1/2"	16°25'	7" x 10"	13-1/2"	11"	9"	26#
25345	2"	20°	8" x 11"	17"	14-1/2"	12-3/8"	43#
25346	1-3/4"	15°	7" x 10"	15-3/4"	13-3/8"	11-5/8"	34#
74563	1"	10°	3-3/4" x 6"	8-5/8"	7-3/4"	7"	6#
25600	1"	13°	5" x 6"	8-1/4"	7-1/2"	6"	10#
76344	1"	17°	4" x 6"	9-1/8"	8-1/4"	6-1/2"	8-1/2#
56013	1"	18°	6-1/4" x 6-3/4"	7-3/4"	7"	5-1/4"	8#
75853	1"	16°	3-3/4" x 5-5/8"	7-1/2"	6-3/4"	5-1/4"	6#
VD-27	1"	16°	5-1/4" x 8-1/4"	9-1/4"	8-1/4"	7"	12#
6557	1"	15°	6-1/4" x 6-1/4"	10"	9"	7-1/2"	16#
74813	1"	20°	6" x 6-1/4"	8"	7-1/2"	5-5/8"	7#
2500-6	1-1/4"	45°	5" x 6"	7"	6-1/2"	4-3/4"	6#
2500-8	1-1/4"	15°	3-5/8" x 5-1/4"	6-3/4"	6"	4-1/2"	5#
2500-2	1-1/4"	17°30'	6" x 6-1/2"	7"	6-3/8"	4-1/4"	7#
2500-16	1-1/4"	20°	4-5/8" x 5-1/2"	6-3/4"	6-1/4"	4-1/8"	6#
25008	1-1/4"	16°	5-1/4" x 8-1/2"	8-3/4"	7-3/4"	6-1/4"	10-1/2#
2500-17	1"	13°	6" x 6"	8-1/2"	7-3/4"	6-1/8"	11-1/2#
25125	1-1/2"	26°	6-3/4" x 9-5/8"	15-1/2"	14"	12"	28-1/2#
62874	1-1/2"	15°	6" x 7-1/8"	12"	10-5/8"	9-1/8"	19#
2500-3	1-3/4"	11°	6" x 6"	9-3/8"	8-1/4"	7-1/4"	11#
25166	1-1/4"	14°	5-3/4" x 8-1/8"	11"	10-1/4"	8"	18#
25611	1-1/4"	15°	5" x 7"	10-3/4"	9-5/8"	8-1/2"	13#
25115	1-1/4"	10°	5" x 10"	11-7/8"	10-7/8"	9-1/2"	23-1/2#
RB-23-5	1-1/4"	16°	5" x 8"	9-1/2"	8-1/2"	7"	15#
77113	1"	16°	6-1/2" x 10-1/4"	8"	7-1/4"	6"	10-1/4#
75483	1"	16°30'	4" x 6"	8"	7"	5-5/16"	6-1/4#



Tapered Struts





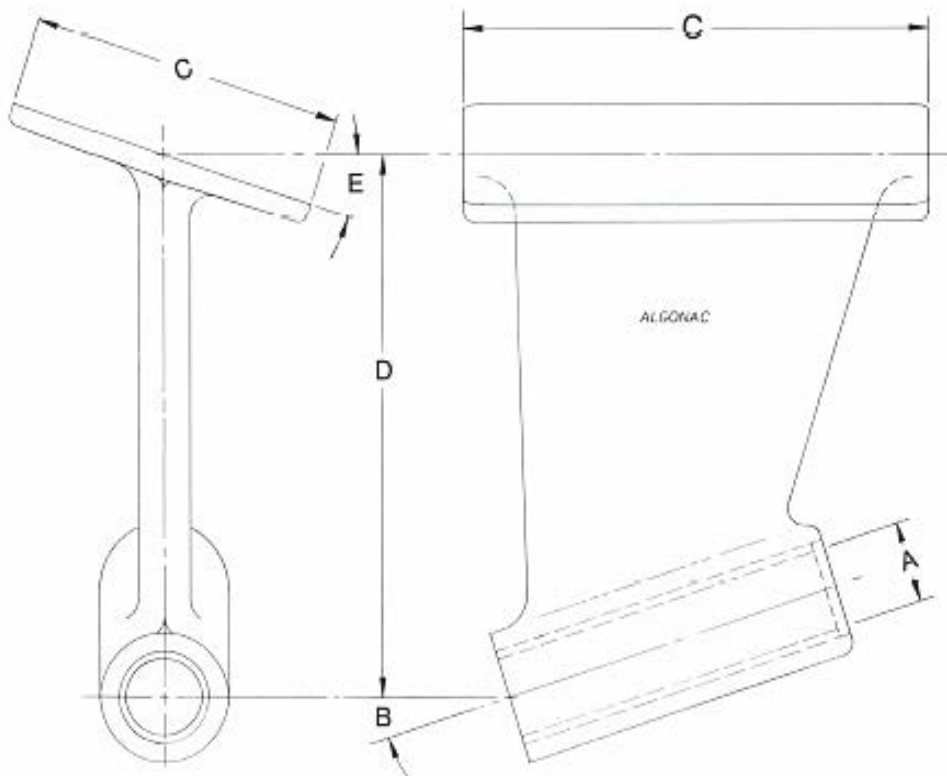
Tapered Struts with Rubber Bearing

(Backing Plates Available Upon Request)

Part#	A Shaft Size	B Degree of Angle	C Base Size	D Drop Overall	E Drop Aft.	F Dead Rise	G Drop Forward	Wgt.
25537	1-3/4"	11 °30'						
2500-26	3/4"	17						
69913	3/4"	18						
68773	1"	16						
71073	1"	14						
74333	1"	19						
74753	1"	14 °30'						
74593	1"	18						
75173	1"	17						
77913	1"	16						
C-190	1"	15						
25019	1"	14						
25116	1-1/4"	13						
25109	1-1/4"	13						
25112	1-1/4"	14						
25111	1-1/4"	15						
25120	1-1/4"	18						
25319	1-1/4"	14						
1166	1-1/4"	21						
25118	1-1/2"	21						
75623	1-1/4"	13° 40'						
76004	1-1/4"	17						
25986	1-1/4"	17						
C-730	1-1/4"	18-3/4						
C-775	1-1/4"	9-1/2						



Port and Starboard Deadrise Struts





Port and Starboard Deadrise Struts with Rubber Bearing

(Backing Plates Available Upon Request)

Part#	A Shaft Size	B Degree of Angle	C Base Size	D Drop Overall	E Drop Aft.	F-Dead Rise	G Drop Forward	Wgt.
25087	1-1/4"	13°	6-3/8" x 9"	13-1/4"	10-3/4"	16°	9"	32-1/2#
25088	1-1/4"	13°	6-3/8" x 9"	13-1/4"	10-3/4"	16°	9"	32-1/2#
25177	1-1/2"	12°45'	6-1/4" x 9"	15"	10-3/4"	15°	10-13/64"	27#
25178	1-1/2"	12°45'	6-1/4" x 9"	15"	10-3/4"	15°	10-13/64"	27#
25167	1-1/2"	11°	6-1/2" x 9-1/4"	13"	11"	14°	9-1/2"	20#
25168	1-1/2"	11°	6-1/2" x 9-1/4"	13"	11"	14°	9-1/2"	20#
76194	1-1/2"	17°	7" x 7-1/4"	12-1/2"	11-1/2"	4°	10-1/4"	22-1/2#
76204	1-1/2"	17°	7" x 7-1/4"	12-1/2"	11-1/2"	4°	10-1/4"	22-1/2#
17414	1-1/2"	7°	7" x 7-7/8"	14"	13"	4°	12"	27#
17424	1-1/2"	7°	7" x 7-7/8"	14"	13"	4°	12"	27#
25529	1-1/4"	15°	5" x 7"	10-3/4"	9-1/2"	14°	8"	12-3/4#
25530	1-1/4"	15°	5" x 7"	10-3/4"	9-1/2"	14°	8"	12-3/4#
25206	1-1/4"	15°	6" x 9"	12"	10-3/4"	20°	8-1/4"	21-1/2#
25207	1-1/4"	15°	6" x 9"	12"	10-3/4"	20°	8-1/4"	21-1/2#
25136	1"	16°	5-1/2" x 9"	9-1/4"	8"	17°	6"	12#
25137	1"	16°	5-1/2" x 9"	9-1/4"	8"	17°	6"	12#
25077	1-1/4"	12°	5" x 8-1/2"	11-1/4"	10"	20°	8-1/4"	17#
25078	1-1/4"	12°	5" x 8-1/2"	11-1/4"	10"	20°	8-1/4"	17#
25079-P	1-1/4"	14°	5" x 6"	10-1/4"	9-1/4"	8°	7-7/8"	19#
25080-S	1-1/4"	14°	5" x 6"	10-1/4"	9-1/4"	8°	7-7/8"	19#
25081-P	1-1/4"	13°	5" x 9-3/4"	11-1/4"	10"	18°	7-3/4"	17#
25082-S	1-1/4"	13°	5" x 9-3/4"	11-1/4"	10"	18°	7-3/4"	17#
25083-P	1-1/2"	11°	9" x 11"	16-1/2"	15"	7°	14"	39#
25084-S	1-1/2"	11°	9" x 11"	16-1/2"	15"	7°	14"	39#
25085-P	1-1/2"	13°	6-3/8" x 9-1/2"		13"	14-1/2°		30#
25086-S	1-1/2"	13°	6-3/8" x 9-1/2"		13"	14-1/2°		30#



Port and Starboard Deadrise Struts with Rubber Bearing

Continued

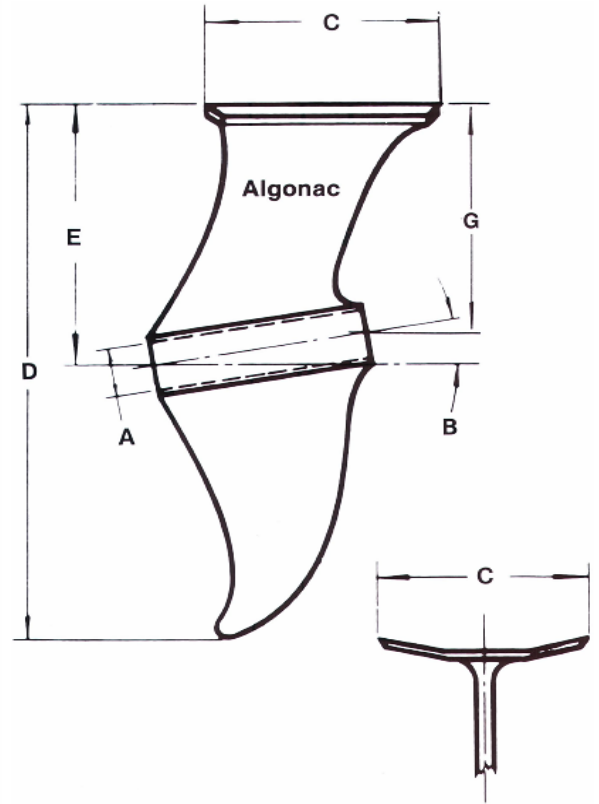
(Backing Plates Available Upon Request)

Part#	A Shaft Size	B Degree of Angle	C Base Size	D Drop Aft.	E-Dead Rise	Wgt.
25097P	1-1/2"	13°	6-3/8" x 9-1/2"	10-3/4"	18°	25.0#
25098S	1-1/4"	13°	6-3/8" x 9"	10-3/4"	18°	25.0#
25123	1-1/4"	12°	6" x 8"	11-1/4"	11°	20.0#
25178	1-1/4"	12°	6" x 8"	11-1/4"	11°	20.0#
25126P	2-1/2"	13°15'	12" x 14"	18-13/32"	17°44'	130.0#
25127S	2-1/2"	13°15'	12" x 14"	18-13/32"	17°44'	130.0#
25140P	2"	10°	10" x 11-1/4"	16-11/32"	17°30'	82.0#
25141S	2"	10°	10" x 11-1/4"	16-11/32"	17°30'	82.0#
25035	1-3/4"	10°	8" x 10"	13-1/2"	14°	46.0#
25036	1-3/4"	10°	8" x 10"	13-1/2"	14°	46.0#
25153P	1-1/2"	11°	7" x 11"	12"	13°	30.0#
25154S	1-1/2"	11°	7" x 11"	12"	13°	30.0#
25157P	1-3/8"	9°	6" x 9"	10-3/4"	10°	24#
25158S	1-3/8"	9°	6" x 9"	10-3/4"	10°	24#
25159P	1-1/4"	9°	6" x 9"	10-3/4"	10°	24#
25160S	1-1/4"	9°	6" x 9"	10-3/4"	10°	24#
25161P	1-1/4"	12°	6-5/8" x 9-5/8"	9-1/2"	6°	20#
25162S	1-1/4"	12°	6-5/8" x 9-5/8"	9-1/2"	6°	20#
25163P	1-1/2"	10°	7" x 11"	12-5/8"	9°	38#
25164S	1-1/2"	10°	7" x 11"	12-5/8"	9°	38#
25169P	1-1/4"	15°	4-7/8" x 76"	10-11/16"	18°	16.5#
25170S	1-1/4"	15°	4-7/8" x 76"	10-11/16"	18°	16.5#
25179P	1-1/2"	15°	7" x 8"	11-5/8"	16°	21.0#
25180S	1-1/2"	15°	7" x 8"	11-5/8"	16°	21.0#
25083-P	1-1/2"	11°	9" x 11"	15"	7°	39#
25084-S	1-1/2"	11°	9" x 11"	15"	7°	39#
25085-P	1-1/2"	13°	6-3/8" x 9-1/2"	13"	14-1/2°	30#
25086-S	1-1/2"	13°	6-3/8" x 9-1/2"	13"	14-1/2°	30#

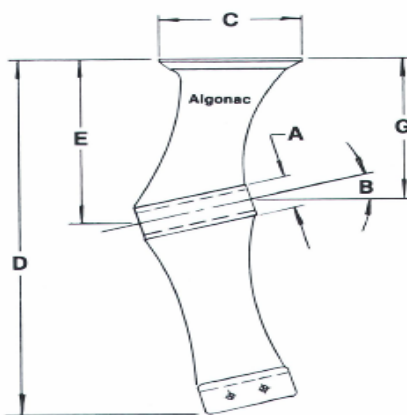
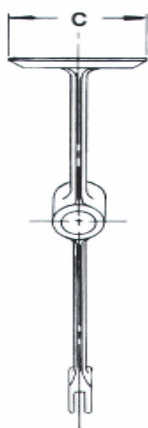


Fin Strut with Rubber Bearing

(Backing Plates Available Upon Request)



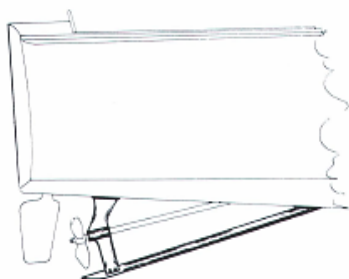
Part#	A Shaft Size	B Degree of Angle	C Base Size	D Drop Overall	E Drop Aft.	G Drop Forward	Wgt.
2575-1	1"	12°	5" x 6"	13-1/2"	7"	5-1/2"	12#
2575-3	1-1/4"	15°	4-1/2" x 5-1/2"	12-1/2"	6"	4-1/4"	8#
2575-2	1-1/4"	15°	4-1/2" x 5-1/2"	11-3/8"	5-5/8"	4-1/16"	7#
2575-9	1-1/4"	15°	3-5/8" x 5-1/4"	11-3/4"	6"	4-1/2"	8#
2575-7	1-1/4"	17°	5" x 6-1/2"	13-1/2"	9-5/8"	8-3/4"	11#
2575-1	1-1/2"	15°	6" x 6"	14-5/8"	7-3/4"	6-1/8"	12#
2575-8	1-3/4"	15°	5" x 6"	14-3/4"	7-1/8"	5-5/8"	13#
57313	1"	16° 30'	4-5/8" x 5-1/2"	12-1/4"	6-5/8"	5-1/8"	9-1/2#
59973	1"	17° 30'	6" x 6-1/2"	12-1/2"	6-3/8"	4-5/8"	9#
61034	1-1/4"	17°	6" x 6-1/2"	14-1/4"	7"	5-5/8"	12#
69813	1"	17°	4-1/2" x 6"	14-1/2"	7"	5-1/8"	9#



Skeg Struts with Rubber Bearing

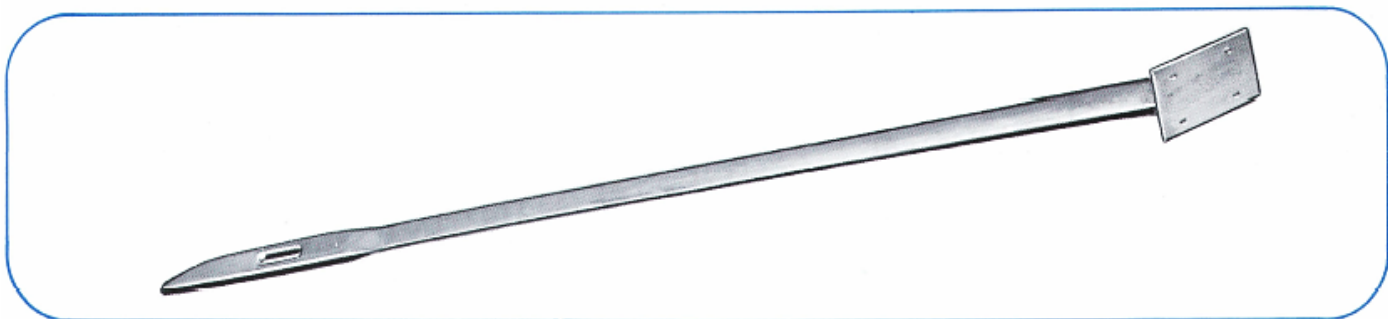
(Backing Plates Available Upon Request)

Part#	A Shaft Size	B Degree of Angle	C Base Size	D Drop Overall	E Drop Aft.	G Drop Forward	Wgt.
2580-1	1"	15°	3-5/8" x 5-1/2"	13"	6-1/8"	4-5/8"	8#
58934	1"	13° 30'	5" x 6"		7-9/16"	7-15/16"	14.3#
58434	1-1/4"	15° 15'	5" x 6'		8-9/64"	6-25/32"	13#



Installation Illustration

This skag strut and the companion supporting member are designed for maximum protection of propellers, rudders and struts. This rugged combination permits the boat to ride up and over normal obstacles that would ordinarily cause underwater damage. To boat builders, let us quote your needs on this truly remarkable assembly to meet your specifications.



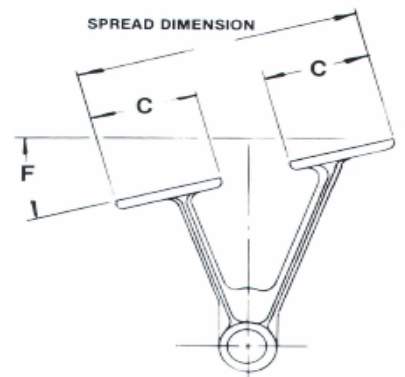
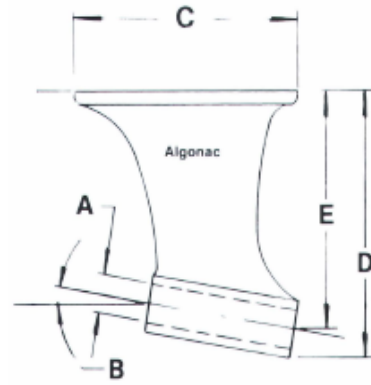
Skeg Shoe

— Manganese Bronze — (Other Sizes Available)

Part#	Angle	Base Size	OA Length	Fasteners	Finish	Wgt.
2581	19°	3-5/8" X 3-5/8"	47-1/2"	4-1/4" Bolts	Mach.	7#
58954	16	3-1/2" x 5-3/4"	71-1/2"		Mach.	17#

Port and Starboard Deadrise "V" Struts with Rubber Bearing

(Backing Plates Available Upon Request)

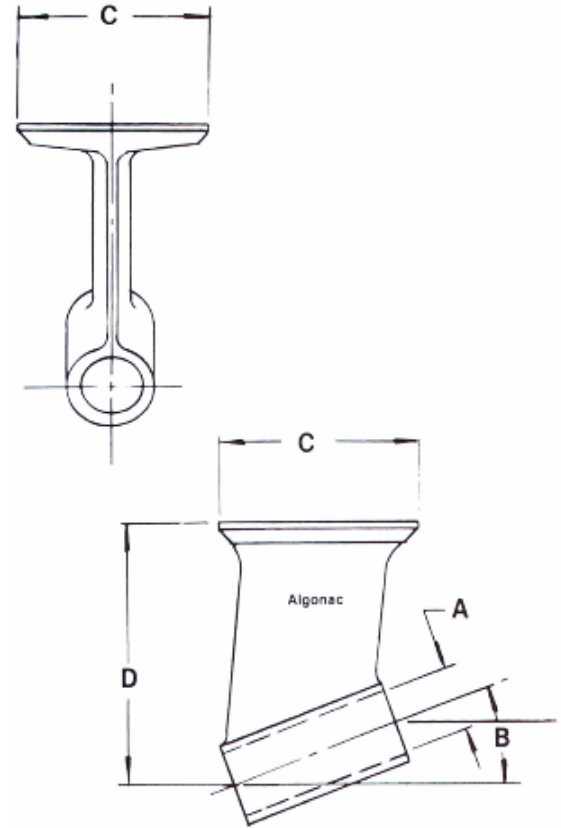


Part#	A Shaft Size	B Degree of Angle	C Base Size	D Drop Overall	E Drop Aft.	F Dead Rise	G Forward Drop	Wgt.
25251-P	1-1/4"	7	3" X 10"	15"	13"	8	12"	33#
25252-S	1-1/4"	7	3" X 10"	15"	13"	8	12"	33#
25253-P	1-1/4"	12	3" X 10"	13"	11"	5	10"	28#
25254-S	1-1/4"	12	3" X 10"	13"	11"	5	10"	28#
25267-P	1-3/4"	14 30'	3-1/4" x 11"		15-1/2"	14		45#
25268-S	1-3/4"	14 30	3-1/4" x 11"		15-1/2"	14		45#



Intermediate Struts with Rubber Bearing

(Backing Plates Available Upon Request)

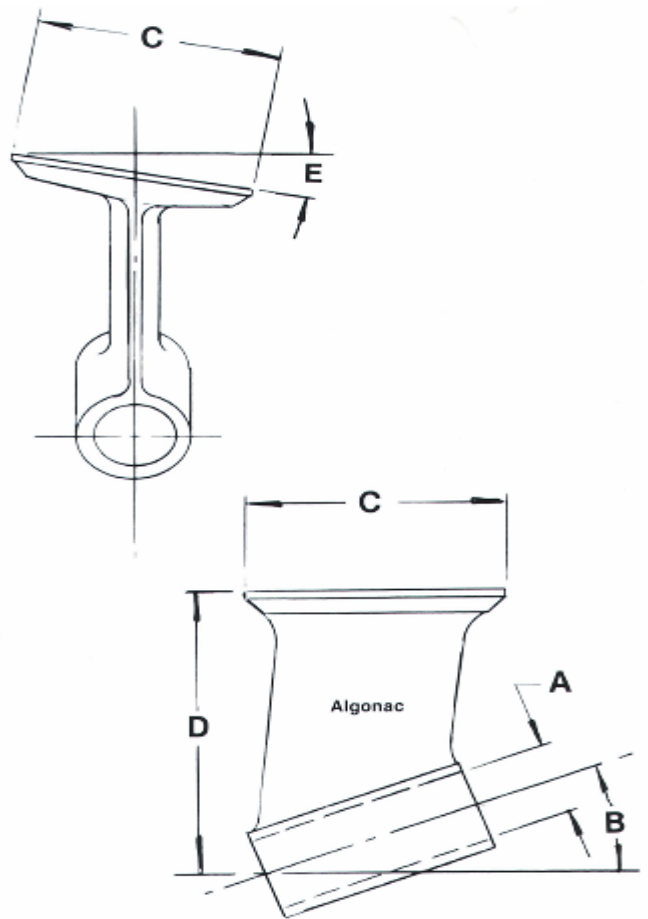


Part#	A Shaft Size	B Degree of Angle	C Base Size	D Drop Overall	E Drop Aft.	G Drop Forward	Wgt.
25856	1"	30	4-1/4" x 5-3/4"	11-1/4"	10-1/2"	7-13/32"	13-1/4#
25700	1-1/2"	15	6-1/4" x 10-1/4"	13-1/2"	11-7/8"	10-1/2"	30-1/2#
25128	1-3/4"	18	7" x 9-7/8"	16	14-3/8"	12"	36#
25858	1-1/4"	24	4" x 5"	12-3/4"	11"	9-3/4"	13-1/2#

Port and Starboard Deadrise Intermediate Struts with Rubber Bearing



(Backing Plates Available Upon Request)

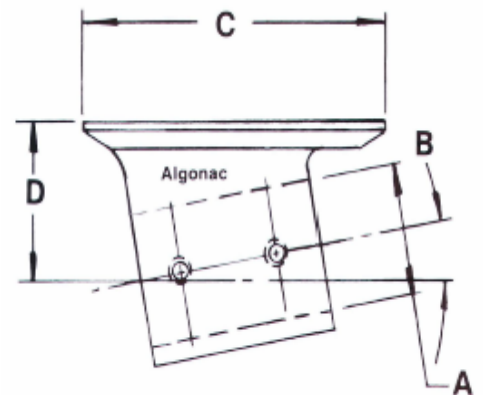
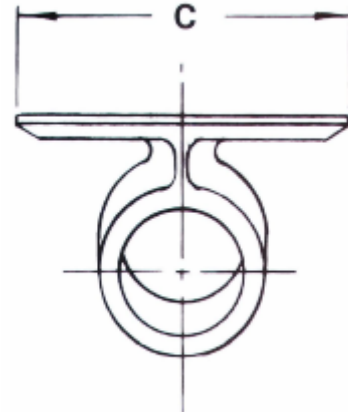


Part#	A Shaft Size	B Degree Angle	C Base Size	D Overall Drop	E Drop Aft.	F Dead Rise	G Drop Forward	Wgt.
25417	2	10°	7" x 8"		6-1/8"	17° 30'	5-5/8"	18#
25418	2"	10°	7" x 8"		6-1/8"	17° 30'	5-5/8"	18#
25421	1-1/2"		5-3/4" X 5-3/4"					14-1/2#
25422	1-1/2"		5-3/4" X 5-3/4"					14-1/2#
25130	1"	15°	5" X 10"	8-1/4"	7-1/2"	14°	6-1/4"	11-3/4#
25131	1"	15°	5" X 10"	8-1/4"	7-1/2"	14°	6-1/4"	11-3/4#
25006	1-1/4"	14°	5-1/8" X 9-1/4"	9"	8"	12°	7-5/8"	15#
25007	1-1/4"	14°	5-1/8" X 9-1/4"	9"	8"	12°	7-5/8"	15#
75704	1-3/8"	16°	8" X 9"	13-1/2"	12-1/8"	6°	10-1/4"	28#
75714	1-3/8"	16°	8" X 9"	13-1/2"	12-1/8"	6°	10-1/4"	28#
76444	1-1/2"	8°	6-1/8" X 7-1/8"	6-5/8"	5-1/2"	5°	4-1/2"	12-1/2#
76454	1-1/2"	8°	6-1/8" X 7-1/8"	6-5/8"	5-1/2"	5°	4-1/2"	12-1/2#
77943	1-1/2"	10°	6-1/8" X 7-1/4"	5-1/2"	4-1/2"	15°	3"	11#
77953	1-1/2"	10°	6-1/8" X 7-1/4"	5-1/2"	4-1/2"	15°	3"	11#
25437	1-1/2"	11°	6" X 7"	7-3/8"	6"	9°	5"	17-1/4#
25438	1-1/2"	11°	6" X 7"	7-3/8"	6"	9°	5"	17-1/4#
74654	1-1/2"	15°	6" X 7-1/8"	12"	10-3/4"	3°	9-1/2"	17#
74664	1-1/2"	15°	6" X 7-1/8"	12"	10-3/4"	3°	9-1/2"	17#
25905	1-1/4"	13°	6-3/8" x 9"		10-1/6"	21°	8-7/16"	23.4#
25906	1-1/4"	13°	6-3/8" x 9"		10-1/6"	21°	8-7/16"	23.4#



Auxiliary Struts with Rubber Bearing

(Backing Plates Available Upon Request)

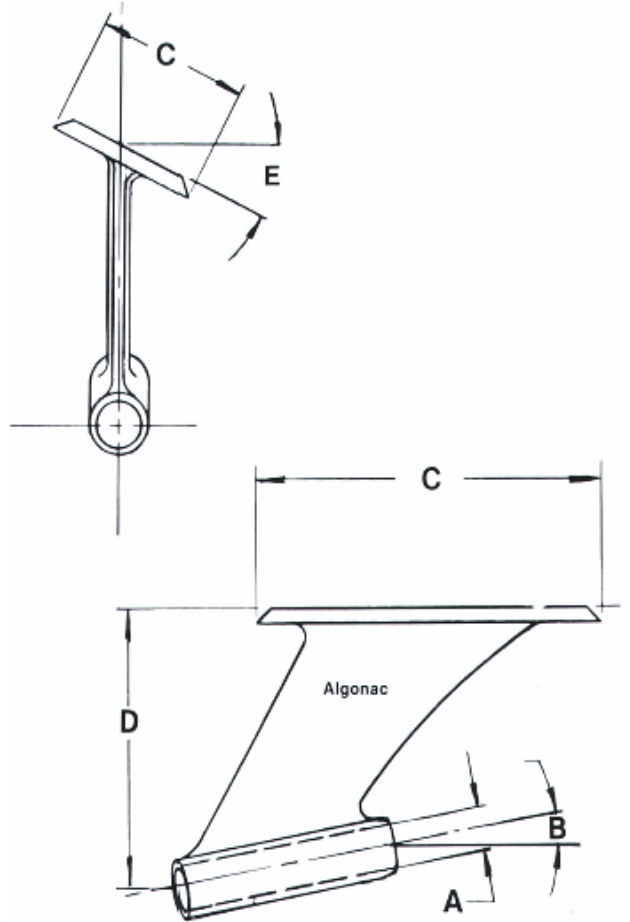


Part#	A – Shaft Size	B – Degree of Angle	C – Base Size	D – Drop Overall	E – Drop Aft	G – Drop Forward	Wgt.
19403	1-3/8"	7°	5-1/4" x 5-1/4"	3-1/8"	4-1/4"	2-11/16"	9-1/2#
19433	1-3/8"	11°	5-1/4" x 5-1/4"	5-1/8"	4-1/4"	2-11/16"	9-1/2#
76553	1-1/2"	11°	6" X 6"	4-1/4"	3-1/4"	2"	7-1/2#
78013	1-1/2"	10°	6-1/8" X 7-1/4"	5-5/8"	4-1/8"		20-1/2#
78023	1-3/4"	10°	6-1/8" X 7-1/4"	5-5/8"	4-1/8"		18#
65473	1-3/4"	8° 30'	7" x 7-1/2"	5-7/8"	4-1/2"	3-17/32"	
70453	1-3/8"	10° 45'	5-1/8" x 5-1/4"	3-1/2"	2-1/4"	2"	5#

Port and Starboard Hi-Performance Racing Struts with Rubber Bearing



(Backing Plates Available Upon Request)

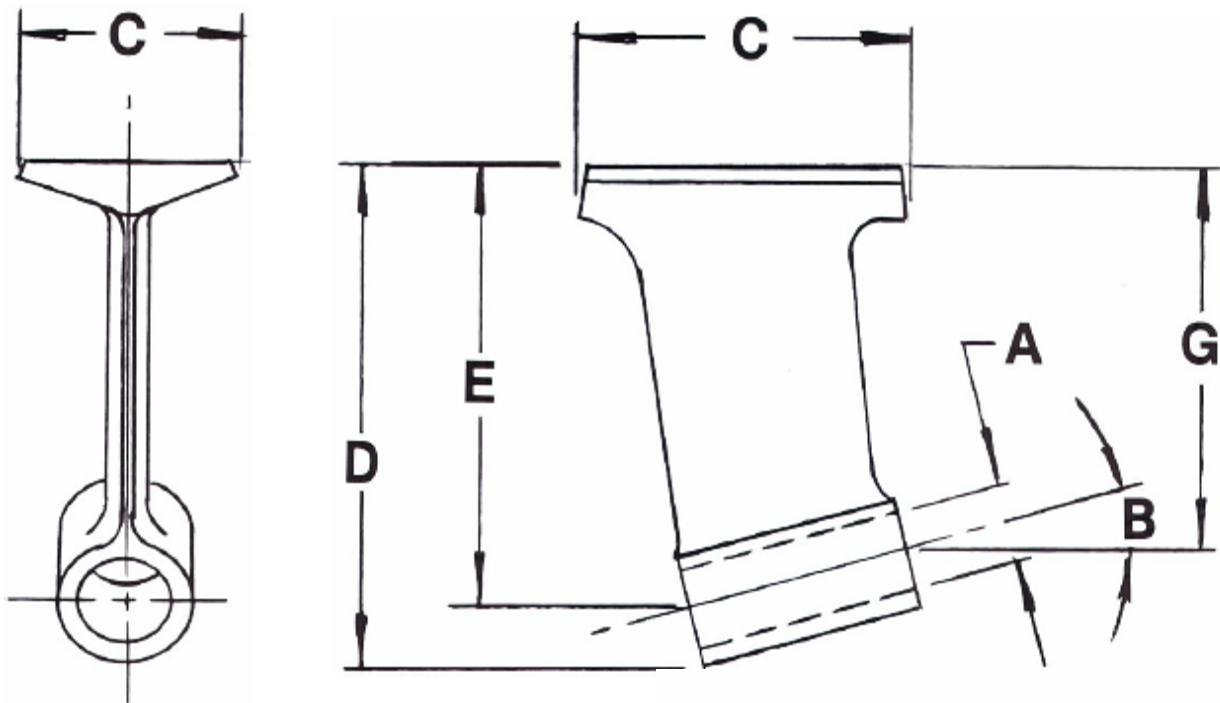


Part#	A Shaft Size	B Degree of Angle	C Base Size	D Drop Overall	E Drop Aft.	F Dead Rise	Wgt.
75854	1-1/4"	15°	7-1/2" X 9-1/4"	13-1/4"	12-1/4"	27°	24#
75864	1-1/4"	15°	7-1/2" X 9-1/4"	13-1/4"	12-1/4"	27°	24#
55974	1-1/2"	15°	7-1/4" X 8"	13-1/2"	12-1/2"	20	24#
55994	1-1/2"	15°	7-1/4" X 8"	13-1/2"	12-1/2"	20	24#



Sailboat Struts

(Available with Flat, Recess or "V" Base.
Machined Complete with Bearing
Installed, Back-Up Plate Available for All
Struts. Other Sizes and Angles Available.)



Part#	Shaft	Angle	Drop	Base Type	Base Size	OA Height	Finish	Wgt.
T-10	3/4"	20°	5-3/8"	Recess Flat	3-3/4" X 4"	6"	Burn.	4-1/4#
25603	1"	15°	6"	Recess Flat	3-3/4" X 5-1/4"	7-1/4"	Burn.	6#
25605	1"	15°	6-3/4"	Recess Flat	3" X 6"	8"	Burn.	6-1/4#
25806	1"	20°	8-3/4"	Recess Flat	4-1/4" X 6"	9-1/2"	Burn.	9#
9.2	1"	24°	9"	Recess Flat	4" X 6"	9-3/4"	Burn.	11#
25855	1"	30°	9-3/4"	Recess Flat	4-1/4" X 5-1/4"	10-3/4"	Burn.	14#
2253-56	1-1/4"	20°	9-1/4"	"V" Base	4" X 5-3/4"	10"	Burn.	11#