

Standard Sea Valves without Flange

Dimensions in Inches 100% Full Port

Part#	Valve Size	A	B	C	D	NPT E	F	CV*
20160	1/2	2.44	1.22	1.53	0.59	1/2	2.95	20.25
20161	3/4	2.71	1.36	1.88	0.79	3/4	3.74	41.83
20162	1	3.30	1.65	2.36	1.00	1	4.72	78.38
20163	1-1/4	3.79	1.90	2.59	1.26	1-1/4	4.72	132.10
20164	1-1/2	4.17	2.08	3.22	1.57	1-1/2	5.90	206.96
20165	2	5.00	2.50	3.50	2.00	2	5.90	346.00
20166	2-1/2	6.06	3.03	4.72	2.48	2-1/2	7.87	484.39
20167	3	7.08	3.54	5.30	2.99	3	7.87	638.50

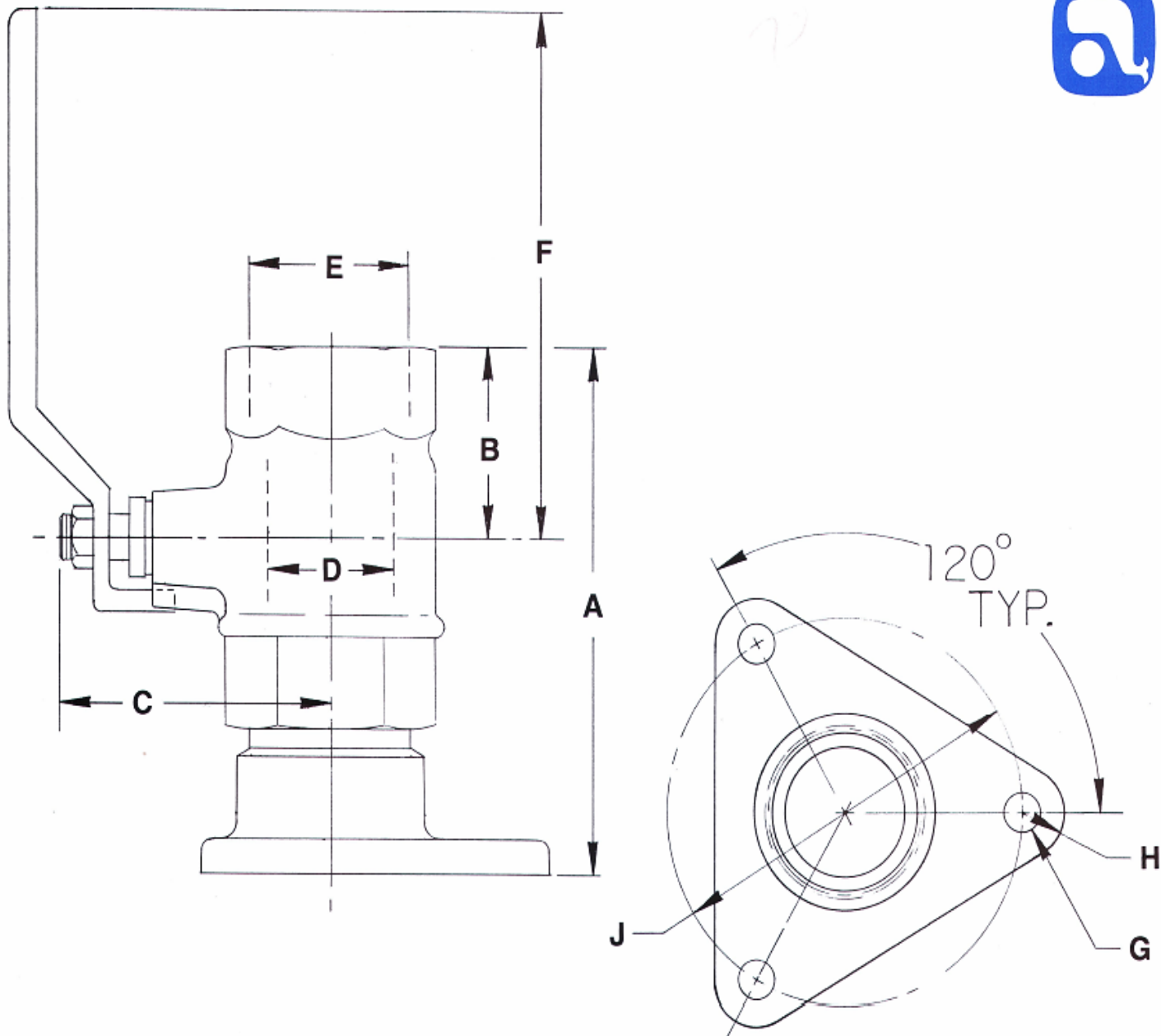
*THE CV FACTOR IS THE GALLONS OF WATER PER MINUTE PASSED THROUGH THE VALVE WITH 1 PSI PRESSURE DROP.



Sea Valves with Flange



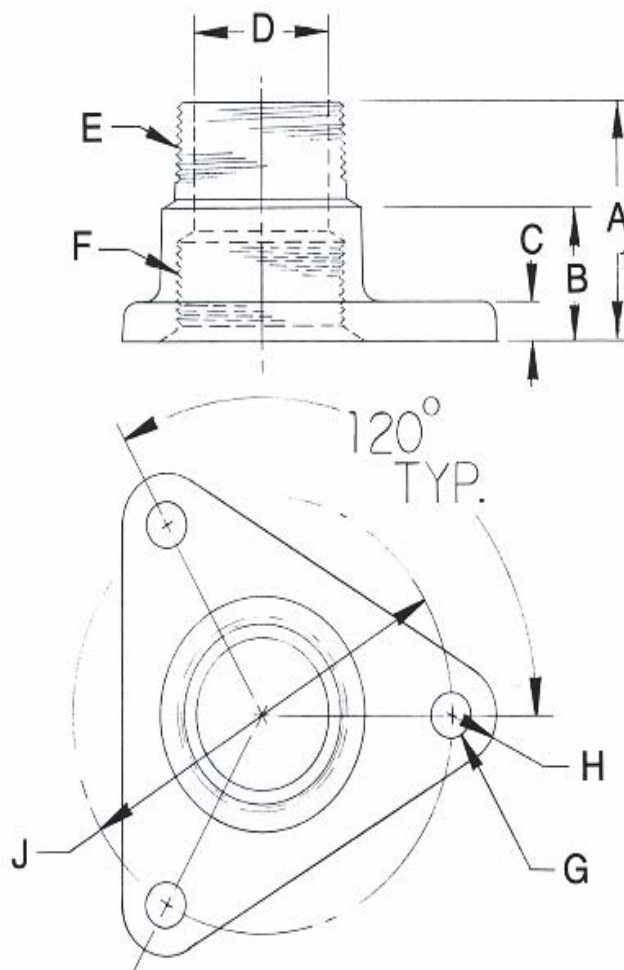
SEE NEXT PAGE



Sea Valves with Flange
 Dimensions in Inches 100% Full Port

Part#	Valve Size	A	B	C	D	NPT E	F	G	H	J	CV*
20190	1/2	3.75	1.22	1.53	0.59	1/2	2.95	.313	.437	2.75	20.25
20191	3/4	4.06	1.36	1.88	0.79	3/4	3.75	.343	.437	3.00	41.83
20192	1	4.75	1.65	2.36	1.00	1	4.72	.343	.437	3.50	78.38
20193	1-1/4	5.25	1.90	2.59	1.26	1-1/4	4.72	.437	.500	4.00	132.10
20194	1-1/2	5.75	2.08	3.22	1.57	1-1/2	5.90	.437	.500	4.25	206.96
20195	2	6.63	2.50	3.50	2.00	2	5.90	.468	.562	4.75	346.00
20196	2-1/2	8.38	3.03	4.72	2.48	2-1/2	7.87	.468	.562	5.25	484.39
20197	3	9.44	3.54	5.30	2.99	3	7.87	.468	.562	5.75	638.50

*THE CV FACTOR IS THE GALLONS OF WATER PER MINUTE PASSED THROUGH THE VALVE WITH 1 PSI PRESSURE DROP.



Sea Valve Flange

Dimensions in Inches

Part#	Valve Size	A	B	C	D	NPT E	NPS F	G	H	J	Material
20180	1/2	1.81	1.03	.25	.50	1/2	1/2	.313	.437	2.75	Mang. Bronze
20181	3/4	1.87	1.06	.31	.75	3/4	3/4	.343	.437	3.00	Mang. Bronze
20182	1	2.14	1.19	.37	.94	1	1	.343	.437	3.50	Mang. Bronze
20183	1-1/4	2.25	1.25	.37	1.25	1-1/4	1-1/4	.437	.500	4.00	81 Brass
20184	1-1/2	2.31	1.28	.37	1.50	1-1/2	1-1/2	.437	.500	4.25	81 Brass
20185	2	2.37	1.31	.50	2.00	2	2	.468	.562	4.75	81 Brass
20186	2-1/2	3.50	1.97	.50	2.50	2-1/2	2-1/2	.468	.562	5.25	81 Brass
20187	3	3.62	2.00	.50	3.00	3	3	.468	.562	5.75	81 Brass



Thru Hull with Nut

Part#	Pipe Size	Flange OD	OA Length	Finish	Wgt.
3130 37172	1/2"	1-3/4"	2-3/8"	Mach.	6 oz.



Thru Hull or Deck Scupper Face Mount

Part#	OD Stem	ID Stem	Flange OD	Bend	Finish	Wgt.
3101	1-1/4"	1"	2-3/4"	90°	Mach.	1#



Integral One Piece Intake Strainer with Nut

Part#	Pipe Size	Base Size	Stem Length	OA Length	Finish	Wgt.
20050	1/2"	2-1/2" X 3-1/2"	2-1/2"	3-3/8"	Mach.	1#
20051	3/4"	3" X 4"	3-1/4"	4"	Mach.	1-1/4#
20052	1"	3-1/8" X 4-1/2"	4-1/4"	5-1/2"	Mach.	1-1/2#
20053	1-1/4"	4" X 5"	3-7/8"	5-1/4"	Mach.	2-1/2#
20054	1-1/2"	5" X 7"	3-3/4"	5-1/4"	Mach.	4-1/2#
20055	2"	6-1/4" X 9-1/8"	4"	5-3/4"	Mach.	6-1/2#



**Integral One Piece
Intake Strainer
with Hose Barb and Nut**

Part#	Hose ID	Base Size	Stem Length	OA Length	Finish	Wgt.
20060	1/2"	2-1/2" x 3-1/2"	3-1/2"	4-3/8"	Mach.	1-1/4#
20061	3/4"	3" x 4"	4-1/4"	5"	Mach.	1-3/4#
20062	1"	3-1/2" x 4-3/4"	3-1/8"	4-1/4"	Mach.	1-3/4#
20063	1-1/4"	4" x 5"	3-7/8"	5-1/4"	Mach.	2-1/4#



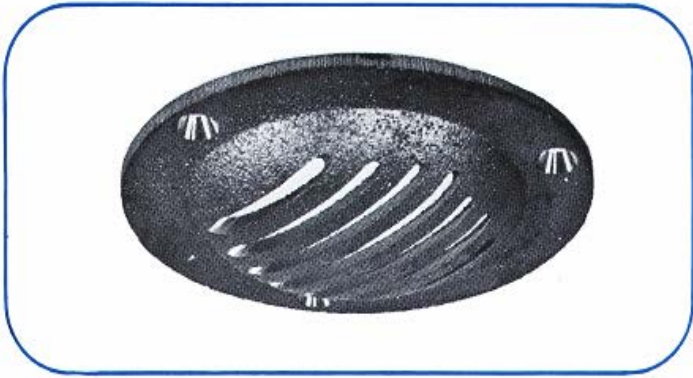
**Integral One Piece
Intake Strainer
with Clean Out**

Part#	Pipe Size	Length	Width	Stem Length	OA Length	Finish	Wgt.
20094	1-1/4"	6-3/8"	4-1/4"	3-1/4"	4-3/4"	Mach.	3-1/4#



**Fan Type
Hi-Speed Intake Strainer
with Nut**

Part#	Pipe Size	Base Size	Stem Length	OA Length	Finish	Wgt.
20085	1"	3-3/4" x 2-3/4"	2-5/8"	3-1/2"	Mach..	1#



Round Brass Strainer

Part #	Thru Hull Size	Length	Width	ID Length	ID Width	Finish	Wgt.
20074	1/2" to 1"	5"	4-1/8"	3-5/8"	2-5/8"	Mach.	1#
20076	1-1/4" to 2"	9-1/4"	6-1/2"	7-1/4"	4-1/2"	Mach.	3-1/2#
20078	2-1/2" to 5"	12-5/8"	7-3/4"	9-3/4"	6"	Mach.	5#
20077	2-1/2"	10-3/4"	6-7/8"	8-1/2"	5-1/2"	Mach.	4#



Direct Flow Thru Hull — With Nut

(For use with Scoop Strainers)

Part#	Thread Size	Thread Length	Inside Dia.	Wgt.
20147	2-1/2"	3-3/4"	2-1/4"	3-1/4#
20148	3"	3-7/8"	2-3/4"	5#
20150	4"	4"	3-3/4"	7#



Round Brass Strainer

Part#	O.D.	Finish	Wgt.
2032	3-1/2"	Mach.	1/2#



Bait Tank or Circulating Fitting

Part#	OA Length	Width	Intake Strainer	Discharge	Flange	Finish	Wgt.
20106	6"	3"	3/4 Pipe	3/4 Pipe	1/2"	Mach.	2-1/4#



Pipe or Tank Flange

(Available in Aluminum or Brass)

Part#	N.P.T. Size	Fast. Hole	Bolt Circle	Finish	Wgt. (Brass)
15904	1/4-18	4	1-3/8"	Mach.	1 oz.
15905	3/8-18	4	1-1/2"	Mach.	2 oz.
15907	1/2-14	3	1-11/16"	Mach.	2 oz.
15908	1/2-14	4	1-11/16"	Mach.	2 oz.



Pipe Plugs

(Available in Aluminum or Brass)

Part#	N.P.T. Size	Finish	Wgt. (Brass)
21947	1/2-14	Mach.	2 oz.
21951	3/4-14	Mach.	2 oz.



Drain Plug Assembly

Part#	OA Height	Base Dia.	ID Drain	Hull Open.	Thru Hull Lgth.	Finish	Wgt.
21314	4"	2-1/2"	7/8"	1-3/8"	5/8"	Mach.	3/4#



Drain Plug Assembly

Part#	OA Height	Base Dia.	ID Drain	Hull Open.	Thru Hull Lgth.	Finish	Wgt.
21315	4"	2-1/2"	7/8"	1-3/8"	3/8"	Mach.	3/4#



Drain Plug Assembly with Locknut

Part#	OA Height	Base Dia.	ID Drain	Hull Open.	Thru Hull Lgth.	Finish	Wgt.
21313	4"	2-1/2"	7/8"	1-3/8"	1"	Mach.	1-1/4#
21316	4"	2-1/2"	7/8"	1-3/8"	1-1/2"	Mach.	1-1/4#



Drain Plug Assembly

Part#	OA Height	Base Dia.	ID Drain	Hull Open.	Thru Hull Lgth.	Finish	Wgt.
1960-1	5-3/4"	2-1/2"	7/8"	1-3/8"	3/8"	Mach.	1#
1960-2	5-3/4"	2-1/2"	7/8"	1-3/8"	5/8"	Mach.	1#



Drain Plug Assembly with Locknut

Part#	OA Height	Base Dia.	ID Drain	Hull Open.	Thru Hull Lgth.	Finish	Wgt.
21317	6-1/2"	2-1/2"	7/8"	1-3/8"	1-1/4"	Mach.	1-1/2#



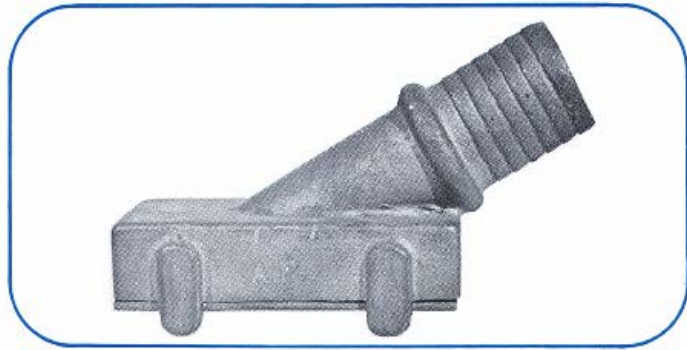
Scupper Grille

Part#	OD	Thickness	Fast.	Finish	Wgt.
4003	6"	3/16"	3/16"	C.P.	3/4#



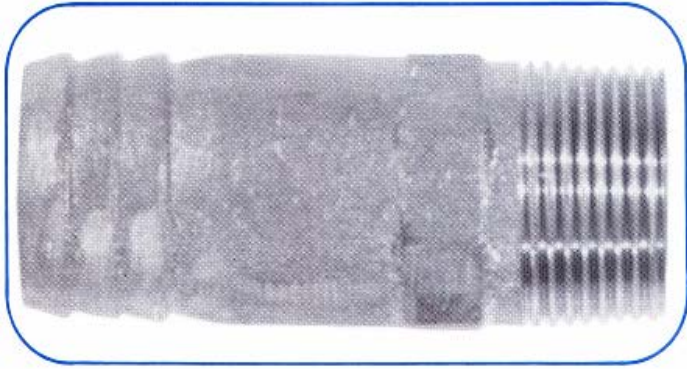
Bilge Pump Strainer

Part#	HB Dim.	Strainer Dim.	Finish	Wgt.
20150	5/8"	4-1/4" X 2"	Mach.	1#
20151	3/4"	4-1/4" X 2"	Mach.	1#



Bilge Pump Strainer

Part#	HB Size	Barb Angle	OA Dim.	Finish	Wgt.
3150	1-1/2"	30°	3/16"	Mach.	3#



Hose to Pipe Straight Adapters External Threads

Part #	Hose I.D.	Pipe	Wgt.
21801	1/2"	3/8"	3 oz.
21803	3/8"	1/2"	1/4#
21805	3/4"	1/2"	5 oz.
21806	1"	1/2"	5 oz.
21807	1/2"	3/4"	5 oz.
21810	1-1/4"	3/4"	10 oz.
21812	1/2"	1"	5 oz.
21816	3/4"	1-1/4"	3/4#
21817	1"	1-1/4"	1#
21818	1-1/4"	1-1/4"	1#
21819	1-1/2"	1-1/4"	1#
21820	2"	1-1/4"	
21821	1"	1-1/2"	1#
21822	1-1/4"	1-1/2"	1-1/4#
21823	1-1/2"	1-1/2"	1-1/4#
21824	1-3/4"	2"	2-1/4#
21825	1-1/4"	2"	1-1/2#
21826	1-1/2"	2"	1-3/4#
21827	2"	2"	2#
21828	2"	2-1/2"	2-1/2#
21829	2-1/2"	2-1/2"	3#
21890	3"	3"	3-1/2#



Hose to Pipe Adapters 45° Short Elbow

Part#	Hose I.D.	Pipe	Wgt.
21842	1/2"	1"	5 oz.
21843	3/4"	1"	1/2#
21844	1"	1"	1/2#
21845	1-1/4"	1"	3/4#
21846	3/4"	1-1/4"	3/4#
21847	1"	1-1/4"	1#
21848	1-1/4"	1-1/4"	1#
21849	1-1/2"	1-1/4"	1-1/4#
21850	2"	1-1/4"	1-3/4#
21851	1"	1-1/2"	1#
21852	1-1/4"	1-1/2"	1-1/4#
21853	1-1/2"	1-1/2"	1-1/4#
21854	1-3/4"	1-1/4"	1-5/8#
21855	1-1/4"	2"	1-1/2#
21856	1-1/2"	2"	1-3/4#
21857	2"	2"	2#
21858	3"	3"	3-1/4#
21859	2-1/2"	2-1/2"	3#



Hose to Pipe Straight Adapters Internal Threads

Part 11	Hose I.D.	P1pe	Wgt .
21751	1/2"	3/8"	7 oz.
21759	1"	3/4"	3/4#
21768	1-1/4"	1-1/4"	1-1/4#
21777	2"	2"	2-1/4#



Hose to Pipe Adapters 90° Short Elbow

Part#	Hose I.O.	Pipe	Wgt.
21864	1/2"	1/2"	1/4#
21865	3/4"	1/2"	1/4#
21868	3/4"	3/4"	1/2#
21869	1"	3/4"	1/2#
21873	3/4"	1"	1/2#
21874	1"	1"	3/4#
21875	1-1/4"	1"	1#
21877	1"	1-1/4"	1#
21878	1-1/4"	1-1/4"	1-1/2#
21879	1-1/2"	1-1/4"	1-3/4#
21881	1"	1-1/2"	1#
21882	1-1/4"	1-1/2"	1-1/2#
21883	1-1/2"	1-1/2"	1-3/4#
21884	1-3/4"	2"	2#
21886	1-1/2"	2"	2#
21887	2"	2"	2-1/4#
21888	3"	3"	3-1/2#
21889	2-1/2"	2-1/2"	3-1/4#