

TEL: 810-794-9391

FAX: 810-794-5700

algonaccast.com

ALGONAC MARINE CAST

ESTABLISHED 1925



"Quality Ingots Make it Strong...Our Craftsmanship Makes it Better."

STRUTS

Our struts are cast of 70 mag bronze and precision machined to ABYC and Navy standards. We install a rubber cutless bearing, locked in place with two stainless steel set screws. To allow boatyards to drill struts to fit existing holes in vessels under repair, our factory does not drill mounting holes unless specified.

We manufacture single leg struts (straight base and port/starboard angled bases), Vee struts, and tournament ski boat struts.

The best way to ensure a satisfactory replacement is to send us the old strut. If this is not possible, please supply the following information:

BASE ANGLE

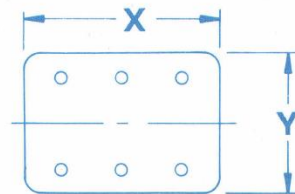
For twin screw vessels--(does not apply to single prop boats.) Port and starboard struts have angled bases to fit hull. Please specify which side you are ordering. Give dimension **H**, Hull Angle.



BASE DIMENSIONS

X, Length

Y, Width



GENERAL SPECS

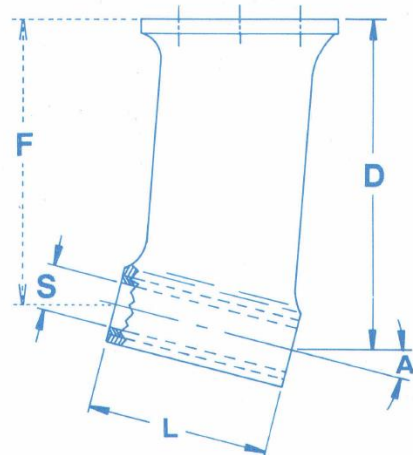
S, Shaft Diameter

D, Drop (at Aft end)

L, Barrel Length

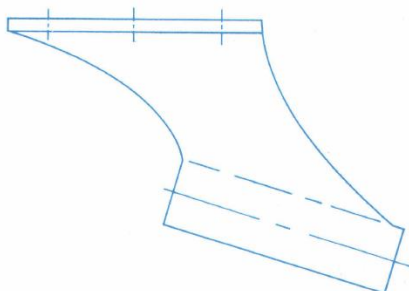
A, Shaft Angle

If shaft angle is not known, contact dealer or manufacturer. As a last resort, if dealer or manufacturer not available, supply the above dimensions, along with **F**, Drop at Forward end. This method is not precise and should only be used if shaft angle cannot be determined any other way.

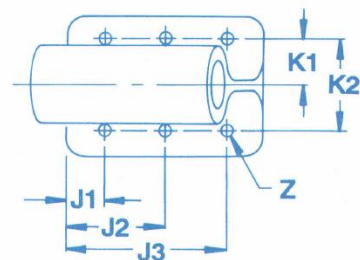


HOLE PATTERN (Factory drilled holes are optional)

J1, **J2**, **J3**, **K1**, **K2**,



Typical Tournament
Ski Boat Strut



Z, Nominal Dia. of Fasteners
(We will drill for clearance.)

Specify type of hole:

Plain, Countersunk, Broached (square)