

TEL: 810-794-9391

FAX: 810-794-5700

algonaccast.com

# ALGONAC MARINE CAST



ESTABLISHED 1925

## RUDDER BOXES

Rudder boxes are cast red bronze and are machine finished to precise tolerances. To allow boatyards to drill the boxes to fit existing holes in vessels under repair, our factory does not drill mounting holes unless specified.

### GLAND STYLE (Fig. 1)

Designed for interior mount with a long neck below the flange for application in all hulls. Built with brass studs for metal compatibility and strength. A backing plate is available separately.

### NUT STYLE

This assembly includes housing, packing and jam nuts, braided flax packing, and backing plate. The housing is available with neck for interior mount (Fig. 2), or without neck for exterior mount (Fig. 3.) We have special tooling to accommodate all hull angles (Fig. 4.)

### DIMENSIONS

- B**, Rudder post diameter (We will bore box for clearance.)
- F**, Flange thickness
- N**, Length of neck
- X**, Flange dimension
- Y**, Flange dimension

Factory-drilled holes are optional. If desired, please specify:

- H**, Diameter of fasteners (We will drill for clearance.)
- Specify type of hole: Plain, Countersunk, Spotfaced, or Broached (square)
- X1**, Hole pattern (Note: Hole pattern is evenly spaced off center of bore unless otherwise specified.)
- Y1**, Hole pattern

### FOR GLAND STYLE

- T**, Height of housing with gland
- T1**, Height of housing with studs (necessary only when clearance is critical.)

### FOR NUT STYLE

- R**, Height of housing with nut

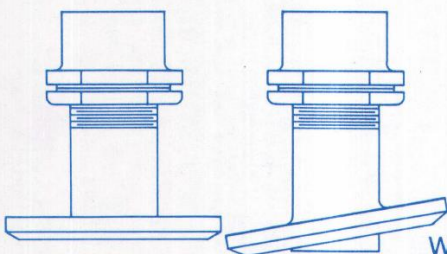


Fig. 3

Fig. 4

We also build bulkhead mount/commercial vessel rudder boxes and Seal-type rudder boxes for tournament ski boats. Please call for information.

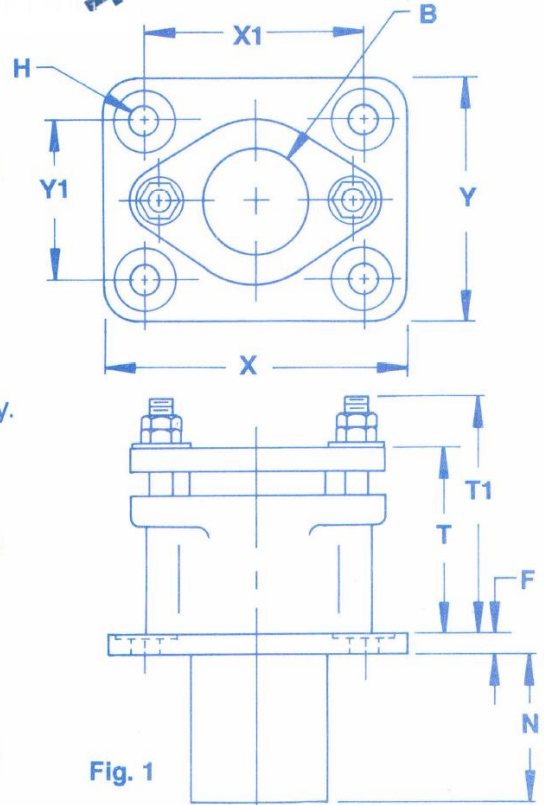


Fig. 1

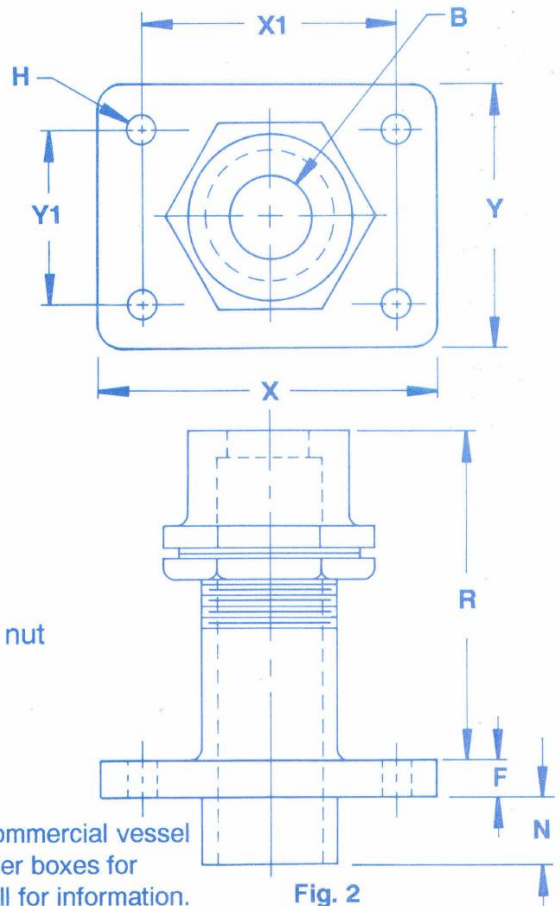


Fig. 2