

# ALGONAC MARINE CAST



**ESTABLISHED 1925**

*"Quality Ingots Make it Strong...Our Craftsmanship Makes it Better."*



# PRODUCT CATALOG 2015



**EST. 1925**

## **TABLE OF CONTENTS**

|   |                  |
|---|------------------|
| <b>Cleats, Chocks, Lifting Rings, Ski Tows.....</b>               | <b>1 - 18</b>    |
| <b>Deck Vents, Cowles.....</b>                                    | <b>19 -24</b>    |
| <b>Handrail, Bow Components, Hinges, Lights.....</b>              | <b>25 -31</b>    |
| <b>Fuel Vents, Caps, Fillers.....</b>                             | <b>32 - 40</b>   |
| <b>Windshield Components.....</b>                                 | <b>41 -44</b>    |
| <b>Anchor Supports, Bells, Hooks, Step Plates, Swim Steps....</b> | <b>45 - 48</b>   |
| <b>Exhaust Parts / Manifolds.....</b>                             | <b>49 -52</b>    |
| <b>Ball-valves, Flanges, Pipe Fittings, Strainers.....</b>        | <b>53 - 66</b>   |
| <b>Rudder Boxes, Shaft Boxes, Shaft Logs.....</b>                 | <b>67 - 78</b>   |
| <b>Strut Types &amp; Worksheets.....</b>                          | <b>79 -94</b>    |
| <b>Rudders, Worksheets, Fins.....</b>                             | <b>95 - 112</b>  |
| <b>Tiller Arms, Clevis, Rudder Supports.....</b>                  | <b>113 – 120</b> |



**Flair Deck or Dock Cleat  
with Solid Base**

| Part#   | Length | Base Size   | Fast. Size | Finish    | Wgt.   |
|---------|--------|-------------|------------|-----------|--------|
| 10043   | 12"    | 2-1/2" X 6" | 1/2" Bolt  | Mach.     | 7-1/4# |
| 10049-A | 12"    | 2-1/2" X 6" | 1/2" Bolt  | Bond Alum | 1-3/4# |



**Low Profile Open Base  
Deck Cleat**

| Part# | Length | ∅ Lgth. | Fast. Size           | Finish | Wgt. |
|-------|--------|---------|----------------------|--------|------|
| 10061 | 6"     | 2-1/8"  | 1/4" Oval Head Bolt  | C.P.   | 3/4# |
| 10062 | 8"     | 2-3/4"  | 5/16" Oval Head Bolt | C.P.   | 1#   |



**Hollow Base Deck  
or Dock Cleat**

| Part# | Length | Rope Opening | Height | Fast. Size | Finish | Wgt.   |
|-------|--------|--------------|--------|------------|--------|--------|
| 10124 | 12"    | 3-3/4"       | 1-7/8" | 3/8" Bolts | C.P.   | 4-1/2# |



## Streamlined Deck Cleat

| Part#   | Length | Base Size       | Height | Finish | Wgt.   |
|---------|--------|-----------------|--------|--------|--------|
| 805-2"  | 2"     | 1-3/4" X 1"     | 1"     | C.P.   | 2 oz.  |
| 805-4"  | 4"     | 3" X 1-1/2"     | 1-1/2" | C.P.   | 6 oz.  |
| 805-6"  | 6"     | 3-1/2" X 2-1/8" | 2"     | C.P.   | 1#     |
| 805-8"  | 8"     | 4-1/2" X 2-3/4" | 2-1/2" | C.P.   | 2-1/2# |
| 805-10" | 10"    | 5-1/2" X 3-1/4" | 3"     | C.P.   | 3-3/4# |



## Hollow Base Flair Deck Cleat

| Part# | Length | Ø Hole | Height | Fast Size   | Finish | Wgt.     |
|-------|--------|--------|--------|-------------|--------|----------|
| 10252 | 6"     | 2"     | 3/4"   | 1/4"-2 Hole | C.P.   | 1/2#     |
| 10254 | 8"     | 2-1/2" | 1"     | 3/8"-2 Hole | C.P.   | 1 - 1/2# |
| 10255 | 10"    | 3"     | 1-1/4" | 1/2"-2 Hole | C.P.   | 2 - 1/2# |



## Hollow Base Deck Cleat Thru Bolt

| Part# | Length | Ø Hole | Height | Fast. Size  | Finish | Wgt. |
|-------|--------|--------|--------|-------------|--------|------|
| 10410 | 6"     | 2"     | 1"     | 1/4"Ø Hole  | C.P.   | 1/2# |
| 10420 | 7"     | 2-1/4" | 1"     | 1/4"-2 Hole | C.P.   | 1#   |



## Hollow Base Flair Deck Cleat

| Part# | Length | Opening | Height | Fast. Size  | Finish | Wgt. |
|-------|--------|---------|--------|-------------|--------|------|
| 10430 | 4"     | 1-1/4"  | 3/4"   | 1/4"-4 Hole | C.P.   | 1/2# |
| 10431 | 6"     | 1-3/4"  | 3/4"   | 1/4"-4 Hole | C.P.   | 3/4# |
| 10432 | 8"     | 2"      | 1-1/8" | 3/8"-4 Hole | C.P.   | 2#   |



## Heavy Duty Open Base Cleat

BOAT MANUFACTURER , HARBOR OR MARINA NAME CAN BE CAST INTO CLEAT .

| Part# | Length  | Base Dim        | Bolt Size | Wgt.             |
|-------|---------|-----------------|-----------|------------------|
| 10058 | 11-1/2" | 2-1/2" X 5-3/4" | 5/8" Dia. | 8-1/2#<br>Bronze |

CAN BE CAST IN BRASS, BRONZE OR ALUMINUM .



## Stern Cleat

— Not to be used as a Lift Ring —

| Part # | Base Size     | ID Hole | OA Hgt. | Cleat Lgth. | Finish | Wgt. |
|--------|---------------|---------|---------|-------------|--------|------|
| 10095  | 2-1/2"x2-1/2" | 1-1/4"  | 1-3/4"  | 7"          | C.P.   | 2#   |



**Canvas Cover Cleat**

| Part# | Length | Width | Opening | Finish | Wgt.  |
|-------|--------|-------|---------|--------|-------|
| 1061  | 2-1/4" | 7/8"  | 1/4"    | C.P.   | 2 oz. |



**2" Fender Cleat**

| Part#  | Length | Base Size | Height | Finish | Wgt.  |
|--------|--------|-----------|--------|--------|-------|
| 804-2" | 2"     | 1-1/2"x1" | 1"     | C.P.   | 2 oz. |



**Open Chock**

| Part# | Length | Width  | Height | Ø Hole | Fast. | Finish | Wgt.   |
|-------|--------|--------|--------|--------|-------|--------|--------|
| 10500 | 4"     | 3/4"   | 1"     | 3-3/4" | 3/16" | C.P.   | 1/4#   |
| 10501 | 5"     | 1"     | 1-1/4" | 4-1/8" | 1/4"  | C.P.   | 3/4#   |
| 10502 | 6"     | 1-1/4" | 1-1/2" | 5-1/8" | 1/4"  | C.P.   | 1-1/4# |



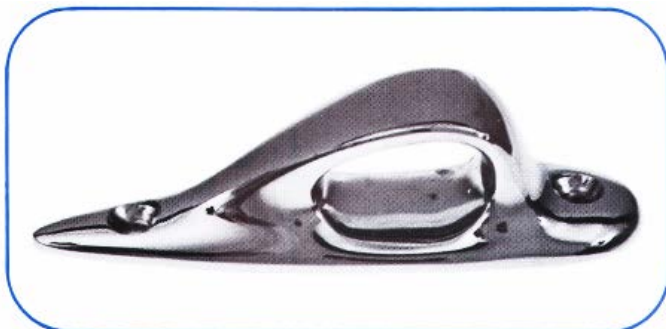
**Streamline Open Chock**

| Part#   | Length | Width  | Height | Ø Hole | Fast. | Finish | Wgt.   |
|---------|--------|--------|--------|--------|-------|--------|--------|
| 713-5"  | 5"     | 1-1/4" | 5/8"   | 3-3/8" | 3/16" | C.P.   | 1/2#   |
| 713-6"  | 6"     | 1-1/2" | 7/8"   | 4-5/8" | 1/4"  | C.P.   | 3/4#   |
| 713-8"  | 8"     | 1-7/8" | 1-5/8" | 5-7/8" | 1/4"  | C.P.   | 1-1/2# |
| 713-10" | 10"    | 2"     | 1-3/4" | 8-1/4" | 1/4"  | C.P.   | 2-3/4# |



**Gunnel Recess Open Chock**

| Part# | Length                      | Width | Height | Ø Hole | Fast. | Finish | Wgt. |
|-------|-----------------------------|-------|--------|--------|-------|--------|------|
| 10583 | Base: 2-3/4"<br>Top: 3-3/8" | 1"    | 3/4"   | 2-5/8" | 3/16" | C.P.   | 1/2# |



**Streamline Closed Chock**

| Part#  | Length | Width  | Height | Ø Hole | Fast. | Finish | Wgt. |
|--------|--------|--------|--------|--------|-------|--------|------|
| 717-5" | 5"     | 1-1/4" | 5/8"   | 3-3/8" | 3/16" | C.P.   | 1/2# |



### Port and Starboard Skene Chock

| Part# |           | Length | Width  | Height | Ø Hole          | Fast. | Finish | Wgt. |
|-------|-----------|--------|--------|--------|-----------------|-------|--------|------|
| 702-P | Port      | 6"     | 1-1/8" | 1-1/4" | 2-5/8" X 5-1/4" | 1/4"  | C.P.   | 1#   |
| 702-S | Starboard | 6"     | 1-1/8" | 1-1/4" | 2-5/8" X 5-1/4" | 1/4"  | C.P.   | 1#   |



### Lifting Ring (Refer to Trim Flanges)

| Part # | Thrd. Size | OD Shank | 10 Ring | OD Ring | Finish | Wgt.   |
|--------|------------|----------|---------|---------|--------|--------|
| 905    | 5/8-11     | 1-1/4"   | 1-1/2"  | 2-3/8"  | C.P.   | 3/4#   |
| 11011  | 3/4-10     | 1-1/4"   | 1-1/2"  | 2-3/8"  | C.P.   | 3/4#   |
| 905    | 5/8-18     | 1-1/4"   | 1-1/2"  | 2-3/8"  | C.P.   | 3/4#   |
| 11015  | 5/8-11     | 1-1/4"   | 1-1/2"  | 2-3/4"  | C.P.   | 1-1/8# |
| 11016  | 3/4-10     | 1-1/4"   | 1-1/2"  | 2-3/4"  | C.P.   | 1-1/8# |



### Lifting Ring Trim Flange

| Part# | OA Size         | Finish | Wgt.  |
|-------|-----------------|--------|-------|
| 11420 | 1-1/4" X 2"     | C.P.   | 2 oz. |
| 11421 | 1-3/8" X 2-1/2" | C.P.   | 3 oz. |
| 11423 | 1-1/2" X 2-1/2" | C.P.   | 3 oz. |





## Lifting Ring with Integral Flange

| Part # | Thrd Size | OD Shank | ID Ring | OD Ring | OD Flange | Finish | Wgt.   |
|--------|-----------|----------|---------|---------|-----------|--------|--------|
| 11020  | 5/8-11    | 1-1/4"   | 1-1/2"  | 2-3/4"  | 1-3/4"    | C.P.   | 1-1/2# |
| 11021  | 3/4-10    | 1-1/4"   | 1-1/2"  | 2-3/4"  | 1-3/4"    | CP.    | 1-1/2# |
| 11025  | 5/8-11    | 1-1/4"   | 1-1/2"  | 3-1/8"  | 1-3/4"    | CP.    | 1-3/4# |
| 11026  | 3/4-10    | 1-1/4"   | 1-1/2"  | 3-1/8"  | 1-3/4"    | C.P.   | 1-3/4# |
| 11027  | 1-8       | 1-3/4"   | 1-5/8"  | 3-1/8"  | 2-1/8"    | C.P.   | 2#     |



## Heavy Duty "Band" Lifting Ring

(Refer to Trim Flanges)

| Part# | Third Size | OD Shank | ID Ring | OD Ring | Finish | Wgt.   |
|-------|------------|----------|---------|---------|--------|--------|
| 11040 | 5/8-11     | 1-3/8"   | 1-1/2"  | 2-1/8"  | C.P.   | 1-1/4# |
| 11410 | 3/4-10     | 1-3/8"   | 1-1/2"  | 2-1/8"  | C.P.   | 1-1/4# |



## Streamlined Lifting Ring with Integral Flange

| Part# | Third Size | OD Shank | ID Ring | OD Ring | OD Flng | Finish | Wgt. |
|-------|------------|----------|---------|---------|---------|--------|------|
| 11050 | 5/8-11     | 1-1/16"  | 1-3/16" | 1-3/4"  | 2"      | C.P.   | 3/4# |



**Lifting Ring and Cleat with Integral Base**

| Part# | Cleat Lgth | Thrd Size | OD Shank | ID Ring | OD Ring | Fling Size | Finish | Wgt.   |
|-------|------------|-----------|----------|---------|---------|------------|--------|--------|
| 11080 | 7"         | 5/8-11    | 1-1/4"   | 1-1/2"  | 2-1/16" | 4" X 2"    | C.P.   | 2-1/4# |
| 11081 | 7"         | 3/4-10    | 1-1/4"   | 1-1/2"  | 2-1/16" | 4" X 2"    | C.P.   | 2-1/4# |



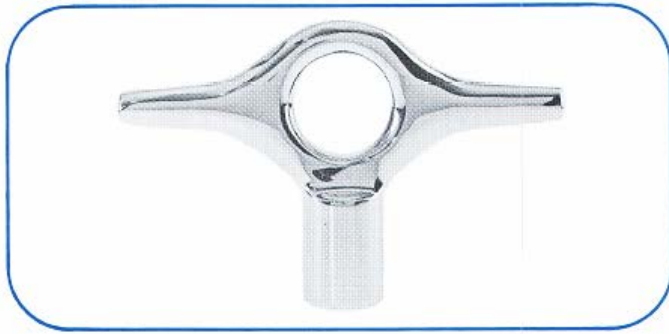
**Lifting Ring and Cleat with Integral Base**

| Part# | Cleat Lgth | Thrd Size | OD Shank | ID Ring | OD Ring | Fling Size | Finish | Wgt.   |
|-------|------------|-----------|----------|---------|---------|------------|--------|--------|
| 10995 | 4-3/4"     | 5/8-11    | 1"       | 1-3/16" | 1-5/8"  | 2"         | C.P.   | 1-1/4# |
| 10996 | 4-3/4"     | 3/4-10    | 1-1/4"   | 1-3/16" | 1-5/8"  | 2"         | C.P.   | 1-1/4# |



**Lifting Ring and Cleat with Integral Base**

| Part# | Cleat Lgth | Thrd Size | OD Shank | ID Ring | OD Ring | OD Fling | Finish | Wgt.   |
|-------|------------|-----------|----------|---------|---------|----------|--------|--------|
| 10991 | 7"         | 5/8-11    | 1-1/4"   | 1-1/2"  | 2"      | 2-3/4"   | C.P.   | 2-1/4# |
| 10992 | 7"         | 3/4-10    | 1-1/4"   | 1-1/2"  | 2"      | 2-3/4"   | C.P.   | 2-1/4# |
| 10993 | 7"         | 1-8       | 1-5/8"   | 1-1/2"  | 2"      | 2-3/4"   | C.P.   | 2-1/2# |



## Lifting Ring Cleat

(Refer to Trim Flanges)

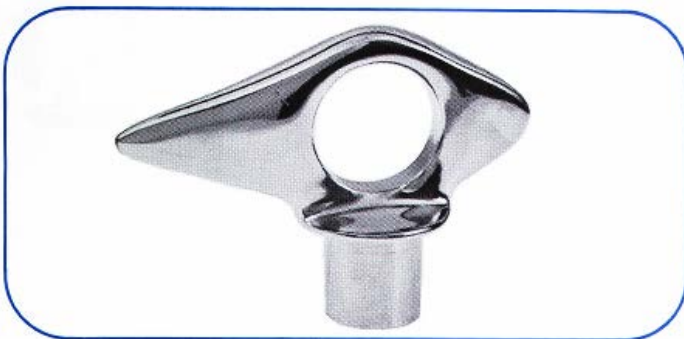
| Part# | Thrd Size | OD Shank | ID Ring | OD Ring | Cleat  | Finish | Wgt.   |
|-------|-----------|----------|---------|---------|--------|--------|--------|
| 11035 | 5/8-11    | 1-1/4"   | 1-1/2"  | 2-3/4"  | 6-3/4" | C.P.   | 1-3/4# |
| 11036 | 3/4-10    | 1-1/4"   | 1-1/2"  | 2-3/4"  | 6-3/4" | C.P.   | 1-3/4# |



## Lifting Ring and Cleat

(Refer to Trim Flanges)

| Part# | Thrd Size | OD Shank | ID Ring | OD Ring | Cleat Lgth | Finish | Wgt.   |
|-------|-----------|----------|---------|---------|------------|--------|--------|
| 11160 | 3/4-16    | 1-3/4"   | 1-3/4"  | 3"      | 6-1/2"     | C.P.   | 2-1/2# |
| 11161 | 1-8       | 1-3/4"   | 1-3/4"  | 3"      | 6-1/2"     | C.P.   | 2-1/4# |
| 11162 | 5/8-11    | 1-1/4"   | 1-1/2"  | 2-1/2"  | 6-3/4"     | C.P.   | 1-3/4# |
| 11163 | 3/4-10    | 1-1/2"   | 1-1/2"  | 2-1/2"  | 6-3/4"     | C.P.   | 2#     |



## Streamlined Lifting Ring with Integral Flange

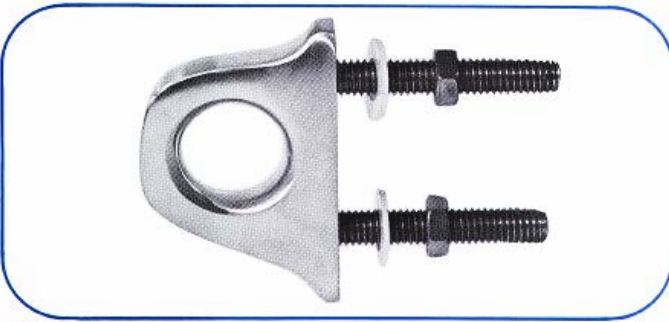
| Part# | Thrd Size | OD Shank | ID-Ring | OD Ring | Ring Lgth | OD Flange | Finish | Wgt.   |
|-------|-----------|----------|---------|---------|-----------|-----------|--------|--------|
| 11231 | 5/8-11    | 1-1/4"   | 1-5/8"  | 2-1/4"  | 5-1/4"    | 2"        | C.P.   | 1-1/4# |
| 11233 | 3/4-16    | 1-1/4"   | 1-5/8"  | 2-1/4"  | 5-1/4"    | 2"        | C.P.   | 1-1/4# |



## Streamlined Lifting Ring

(Refer to Trim Flanges)

| Part# | Thrd Size | OD Shank | ID Ring | OD Ring | Ring Lgth | Finish | Wgt. |
|-------|-----------|----------|---------|---------|-----------|--------|------|
| 11236 | 5/8-18    | 1-1/4"   | 1-5/8"  | 2-1/4"  | 5-1/4"    | C.P.   | 1#   |
| 11238 | 3/4-16    | 1-1/4"   | 1-5/8"  | 2-1/4"  | 5-1/4"    | C.P.   | 1#   |



## Bow Eye

| Part# | ID Ring | Base Lgth | Rod Size | Rod Lgth | Finish | Wgt. |
|-------|---------|-----------|----------|----------|--------|------|
| 11290 | 1"      | 3"        | 3/8-16   | 4"       | C.P.   | 1/2# |
| 11291 | 1"      | 3"        | 3/8-16   | 6"       | C.P.   | 1/2# |



## 40° Lifting Ring Bracket

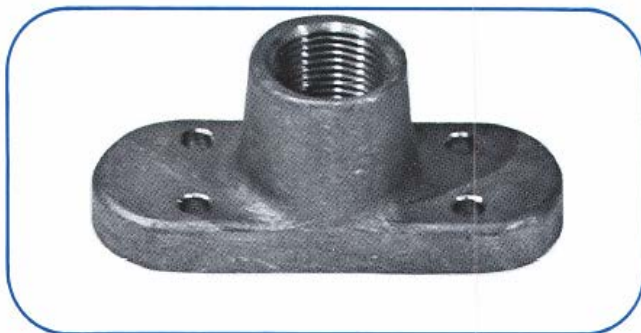
(For use with "U" Bolt Bow Eye)

| Part# | Thrd Size | Base        | Fast. Size | Finish | Wgt. |
|-------|-----------|-------------|------------|--------|------|
| 11305 | 5/8-11    | 3-1/2" x 1" | 5/8" Bolt  | C.P.   | 2#   |
| 11306 | 3/4-10    | 3-1/2" x 1" | 5/8" Bolt  | C.P.   | 2#   |



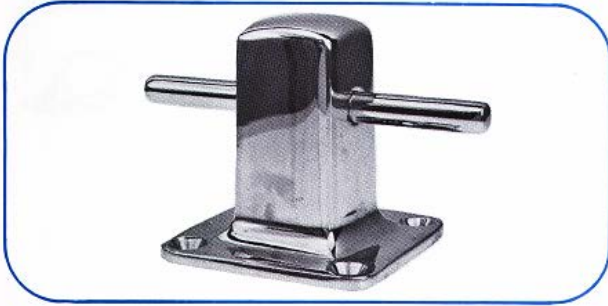
## Keel or Bow Lifting Bracket Assembly

| Part# | Thrd Size | Ring        | Pad         | Bolt  | Finish | Wgt.         |
|-------|-----------|-------------|-------------|-------|--------|--------------|
| 11310 | 5/8-11    | 2-3/4" Long | 1-5/8" Wide | 5/16" | Mach.  | 1/2# Assy.   |
| 11312 | 3/4-10    | 3-1/4" Long | 1-5/8" Wide | 5/8"  | Mach.  | 1-1/2# Assy. |



## Lifting Ring Keel Bracket

| Part# | Thrd Size | Base Lgth | Base Width | Fast. Size | Finish | Wgt. |
|-------|-----------|-----------|------------|------------|--------|------|
| 3010  | 5/8-11    | 4"        | 1-1/2"     | 1/4" Bolt  | Mach.  | 1#   |
| 11316 | 3/4-10    | 4"        | 1-1/2"     | 1/4" Bolt  | Mach.  | 1#   |
| 11317 | 1-8       | 4"        | 1-1/2"     | 1/4" Bolt  | Mach.  | 1#   |



**Square Mooring Bitt  
without Rope Hole**

| Part# | Base Size | Height | Pin Size      | Bolt | Finish | Wgt.   |
|-------|-----------|--------|---------------|------|--------|--------|
| 12020 | 4" X 4"   | 4"     | 1/2" X 5-1/2" | 1/4" | C.P.   | 2-1/2# |
| 12030 | 5" X 5"   | 5"     | 1/2" X 7-3/4" | 1/2" | C.P.   | 3-1/2# |
| 1040  | 6" X 6"   | 6"     | 5/8" X 9"     | 5/8" | C.P.   | 6-1/2# |



**Square Mooring Bitt  
with Rope Hole**

| Part# | Base Size | Height | Pin Size      | Bolt | Hole Size | Finish | Wgt.   |
|-------|-----------|--------|---------------|------|-----------|--------|--------|
| 1041  | 4" X 4"   | 4"     | 1/2" X 5-1/2" | 1/4" | 1-1/8"    | C.P.   | 2-1/2# |
| 12070 | 5" X 5"   | 5"     | 1/2" X 7-3/4" | 1/2" | 1-1/8"    | C.P.   | 3-1/2# |
| 1041  | 6" X 6"   | 6"     | 5/8" X 9"     | 5/8" | 1-1/8"    | C.P.   | 6-1/2# |



**Round Mooring Bitt  
without Rope Hole**

| Part# | Base Size | Height | Pin Size      | Bolt | Finish | Wgt.   |
|-------|-----------|--------|---------------|------|--------|--------|
| 10920 | 4" X 4"   | 3-1/4" | 1/2" X 5-1/4" | 1/4" | C.P.   | 2#     |
| 10930 | 5" X 5"   | 4-1/4" | 5/8" X 5-1/2" | 3/8" | C.P.   | 3-3/4# |



## Round Mooring Bitt without Rope Hole Round Base

| Part# | Base Size | Height | Pin Size  | Bolt | Finish | Wgt. |
|-------|-----------|--------|-----------|------|--------|------|
| 12104 | 7"        | 6-5/8" | 5/8" X 9" | 1/2" | C.P.   | 8#   |



## Round Mooring Bitt with Rope Hole

| Part# | Base Size | Height | Pin Size      | Bolt | Hole Size | Finish | Wgt.   |
|-------|-----------|--------|---------------|------|-----------|--------|--------|
| 12112 | 5" X 5"   | 4-1/4" | 5/8" X 5-1/2" | 3/8" | 1-1/8"    | C.P.   | 2-3/4# |



## Flat Face Hawse Hole Plate

| Part# | Opening | OA              | Length of Spigot | Fast. | Finish | Wgt.   |
|-------|---------|-----------------|------------------|-------|--------|--------|
| 12124 | 4" x 2" | 4-1/2" x 6-1/2" | 1"               | 3/16" | C.P.   | 1-3/4# |
| 12125 | 5" x 2" | 3-1/4" x 6-1/2" | 1-3/4"           | 3/16" | C.P.   | 2#     |

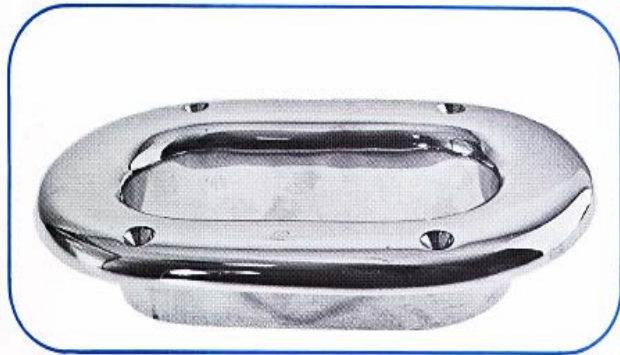


### Hawse Hole Plate



### Hawse Hole Trim Flange

| Part# | Opening     | OA              | Length of Spigot | Fast. | Finish | Wgt.   |
|-------|-------------|-----------------|------------------|-------|--------|--------|
| 15503 | 3" X 2"     | 4" X 5"         | 1"               | 3/16" | C.P.   | 1-1/4# |
| 15505 | 5" X 2"     | 4" X 7"         | 1-1/2"           | 3/16" | C.P.   | 1-3/4# |
| 12132 | 7-1/2" X 4" | 6-1/2" X 9-7/8" | Trim Ring        | 1/4"  | C.P.   | 2"     |
| 12133 | 7" X 3-1/2" | 6" X 9-1/2"     | 1-1/2"           | 1/4"  | C.P.   | 3-1/2# |
| 12134 | 7" X 3-1/2" | 6" X 9-1/2"     | 1"               | 1/4"  | C.P.   | 3-1/2# |

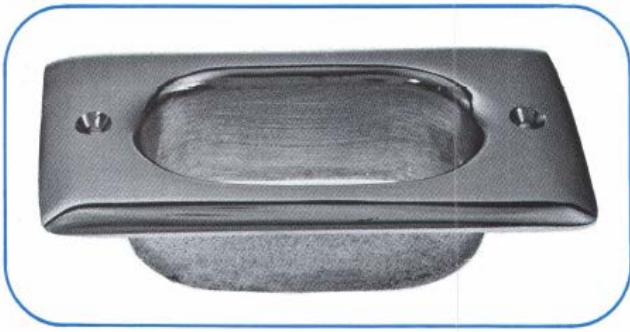


## Thru Hull Hawse Pipe — Radius Both Ends of Spigot

(Can be used in combination with  
Part #12134 for complete Thru Hull Assembly)

| Part# | Opening         | OA          | Length of Spigot | Fast. | Finish | Wgt.   |
|-------|-----------------|-------------|------------------|-------|--------|--------|
| 12135 | 6-1/4" x 2-3/4" | 6" x 9-1/2" | 1-3/4"           | 1/4"  | C.P.   | 4-1/4# |





### Hawse Hole Plate — Rectangular

| Part# | Opening         | OA          | Length of Spigot | Fast. | Finish | Wgt. |
|-------|-----------------|-------------|------------------|-------|--------|------|
| 15507 | 3-1/2" x 1-3/4" | 5-1/2" x 3" | 1"               | 3/16" | C.P.   | 1#   |



### Transom Corner Hawse Hole Plate — Triangular

| Part# | Opening | OA          | Length of Spigot | Fast. | Finish | Wgt.   |
|-------|---------|-------------|------------------|-------|--------|--------|
| 15510 | 5" x 3" | 7-3/4" x 5" | 1-3/4"           | 3/16" | C.P.   | 2-3/4# |



### Hawse Hole Plate Assembly with Attached Cleat

| Part# | Opening     | Cleat Sz. | OA Hawse        | Thick. | Fast. | Finish | Wgt.    |
|-------|-------------|-----------|-----------------|--------|-------|--------|---------|
| 12142 | 3" x 2"     | 10"       | 5" x 4"         | 1-1/4" | 1/4"  | C.P.   | 4-1/4#  |
| 12145 | 7" x 3-1/2" | 16"       | 9-3/4" x 6-1/4" | 1-5/8" | 1/4"  | C.P.   | 10-1/4# |



## Ski Tow Hook

To be mounted with S.S. Thru Bolts  
— Not screw fasteners —

| Part# | Length | Width  | Rope Size | Fast | Finish | Wgt. |
|-------|--------|--------|-----------|------|--------|------|
| 821   | 4"     | 2-1/8" | 5/8"      | 1/4" | C.P.   | 3/4# |



## Ski Tow Ring

| Part#        | ID Ring | OD Ring | Cleat Length | Shank Length | Thread Size | Finish | Wgt. |
|--------------|---------|---------|--------------|--------------|-------------|--------|------|
| 0414 - 69232 | 2-1/2"  | 3-3/8"  | 6"           | 2-1/2"       | 1" - 8      | C.P.   | 2#   |



## Ski Tow Ring with Pin for Tube Installation

| Part# | ID Ring | OD Ring | Pin Lgth. | Shank Dim.      | Fast | Finish | Wgt. |
|-------|---------|---------|-----------|-----------------|------|--------|------|
| 12615 | 2-3/4"  | 4"      | 3"        | 1" OD x 4" Long | 3/8" | C.P.   | 3#   |



## Ski Tow with Integral Threaded Rod and Threaded Trim Plate

| Part# | ID Ring | OD Ring | Pin Length | Shank Length | Thread Size  | Finish        | Wgt.        |        |      |
|-------|---------|---------|------------|--------------|--------------|---------------|-------------|--------|------|
| 12613 | 2-5/8"  | 4"      | 2-3/4"     | 1-1/4"       | 1" - 10      | C.P.          | 1-1/4#      |        |      |
| Part# | ID Ring | OD Ring | Pin Lgth.  | Thread Size  | Thread Lgth. | Trim Plate OD | Finish      | Wgt.   |      |
| 12606 | 2-5/8"  | 4"      | 2-1/2"     | 1"           | 3"           | 5"            | C.P.        | 3-3/4# |      |
| Part# | ID Ring | OD Ring | Pin Lgth.  | Shank Dim.   | Brkt. Sz.    | Trm. Pit. OD  | Assy. Lgth. | Finish | Wgt. |
| 12604 | 2-5/8"  | 4"      | 2-3/4"     | 1-1/4"       | 1-1/2" x 4"  | 3"            | 14"         | C.P.   | 4#   |



## Ski Pylon Assembly

Part #12900

Consisting of:

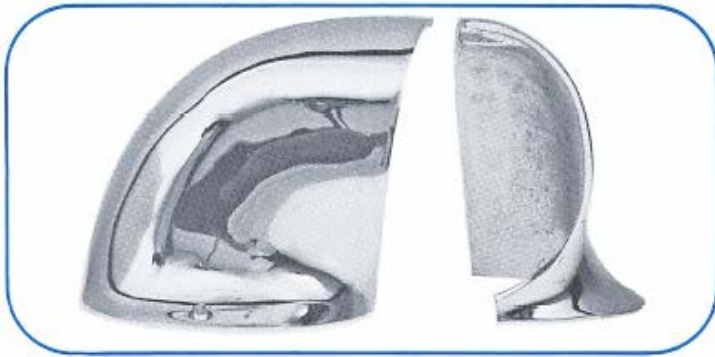
- 12205
- 12230
- 12901
- 12902
- 26400

| Part Name             | Part# | Length | Pole Diameter | OD Ring | ID Ring   | Wgt.   |
|-----------------------|-------|--------|---------------|---------|-----------|--------|
| <b>Ski Pylon</b>      | 12230 | 41"    | 2"            | 4"      | 2-5/8"    | 7#     |
| Part#                 | Part# |        | Width         | ID      | Thickness | Wgt.   |
| <b>Trim Plate</b>     | 12901 |        | 2-3/4"        | 2-1/16" | 3/4"      | 1#     |
| Part Name             | Part# | Length | Width         | Height  | ID        | Wgt.   |
| <b>Keel Bracket</b>   | 12902 | 8-1/2" | 6"            | 4-1/2"  | 2-1/16"   | 4#     |
| Part Name             | Part# | Length | Width         | Height  |           | Wgt.   |
| <b>Stabilizer Fin</b> | 27500 | 7-1/2" | 3-1/2"        | 7-1/2"  |           | 4-1/4# |



## Low Profile Vent Without Screen

| Part# | Length | Width  | Opening         | Finish | Wgt.   |
|-------|--------|--------|-----------------|--------|--------|
| 13005 | 5-3/4" | 5"     | 3-3/4" X 1-1/8" | C.P.   | 1-1/2# |
| 13030 | 7"     | 6-1/4" | 5" X 2-3/8"     | C.P.   | 3-1/2# |
| 13040 | 7"     | 9-3/4" | 8-1/2" X 2-1/4" | C.P.   | 4#     |
| 11650 | 8"     | 7-1/4" | 6" X 2-5/8"     | C.P.   | 3-1/4# |



## Port and Starboard Side Vents

| Part#  | Length | Width  | Opening         | Finish | Wgt.   |
|--------|--------|--------|-----------------|--------|--------|
| 1019-P | 5-1/4" | 5-1/4" | 4-3/4" x 1-7/8" | Port   | 1-3/4# |
| 1019-S | 5-1/4" | 5-1/4" | 4-3/4" x 1-7/8" | Stbd.  | 1-3/4  |



## Port and Starboard Quarter Vents

| Part#  | Length | Width  | Opening     | Finish | Wgt.   |
|--------|--------|--------|-------------|--------|--------|
| 1003-P | 10"    | 4-1/2" | 4" x 1-3/4" | Port   | 1-3/4# |
| 1003-S | 10"    | 4-1/2" | 4" x 1-3/4" | Stbd.  | 1-3/4  |



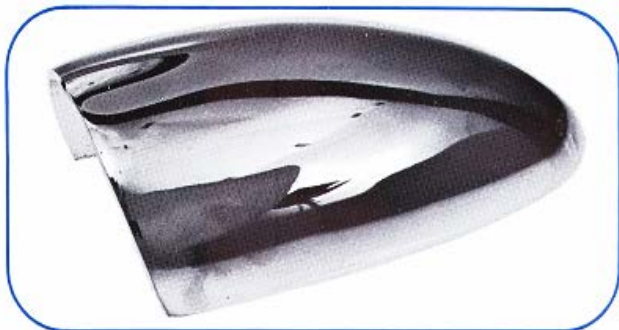
**Deck Vent**

| Part#  | Length | Width  | Opening         | Finish | Wgt.   |
|--------|--------|--------|-----------------|--------|--------|
| 1013-1 | 9-1/2" | 4-3/4" | 2-1/2" x 1-1/4" | C.P.   | 2#     |
| 1013-2 | 12"    | 5-1/2" | 5" x 1-1/4"     | C.P.   | 3-1/4" |



**Deck Vent With Screen**

| Part#  | Length | Width  | Opening         | Finish | Wgt. |
|--------|--------|--------|-----------------|--------|------|
| 1008-1 | 6"     | 3-1/4" | 2-1/8" X 1-1/2" | C.P.   | 3/4# |



**Deck Vent With Screen**

| Part# | Length | Width  | Opening         | Finish | Wgt.   |
|-------|--------|--------|-----------------|--------|--------|
| 1009  | 6-1/2" | 3-1/2" | 3-1/4" x 1-3/4" | C.P.   | 1-1/2# |



**Deck Vent**

| Part# | Length | Width | Opening     | Finish | Wgt. |
|-------|--------|-------|-------------|--------|------|
| 1026  | 5-3/4" | 4"    | 2-1/2" x 2" | C.P.   | 1#   |



**Deck or Side Vent**

| Part# | Length | Width  | Opening     | Finish | Wgt. |
|-------|--------|--------|-------------|--------|------|
| 1020  | 5-1/4" | 2-1/2" | 2-1/4" x 1" | C.P.   | 3/4# |



**Deck Vent**

| Part# | Length | Width  | Opening     | Finish | Wgt. |
|-------|--------|--------|-------------|--------|------|
| 13025 | 8-3/4" | 5-3/4" | 5-1/4" x 1" | C.P.   | 2#   |



**Deck Vent With Screen**

| Part# | Length | Width | Opening     |            | Finish | Wgt.   |
|-------|--------|-------|-------------|------------|--------|--------|
| 13320 | 9"     | 6"    | 5-1/4" x 1" |            | C.P.   | 2-1/4# |
| 13321 | 9"     | 6"    | 5-1/4" x 1" | W/O Screen | C.P.   | 2-1/4  |



**Motor Box Vent**

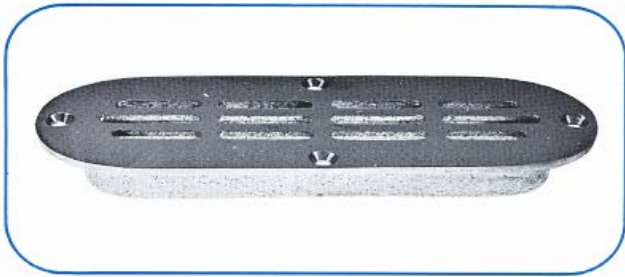
| Part# | OD     | Opening      | Finish | Wgt. |
|-------|--------|--------------|--------|------|
| 2032  | 3-1/2" | 7-1/8" Slots | C.P.   | 1/4# |



**Round Screen Vent**

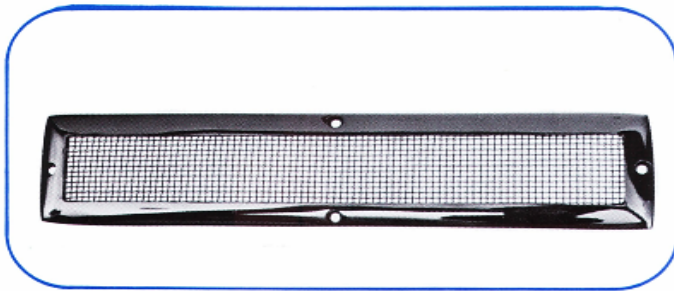
| Part# | OD     | ID     | Finish | Wgt. |
|-------|--------|--------|--------|------|
| 13360 | 4"     | 3"     | C.P.   | 1/4# |
| 13361 | 5-7/8" | 4-1/2" | C.P.   | 1/2# |





**Locker or Door Vent**

| Part# | Length | Width  | Opening | Finish | Wgt. |
|-------|--------|--------|---------|--------|------|
| 1002  | 6-1/4" | 2-1/4" | 5" x 1" | C.P.   | 3/4# |



**Transom Vent  
With Screen**  
(Other Sizes Available)

| Part# | Length | Width  | Opening     | Finish | Wgt. |
|-------|--------|--------|-------------|--------|------|
| 13390 | 10"    | 2-1/4" | 9" x 1-1/2" | C.P.   | 1/2# |



**Clam Shell Vent**

| Part# | Length | Width  | Opening     | Finish | Wgt.   |
|-------|--------|--------|-------------|--------|--------|
| 13400 | 5-1/4" | 4-1/2" | 2" X 4"     | C.P.   | 2-1/4# |
| 13402 | 7-1/4" | 5-1/4" | 2-1/4" X 5" | C.P.   | 3-1/2# |



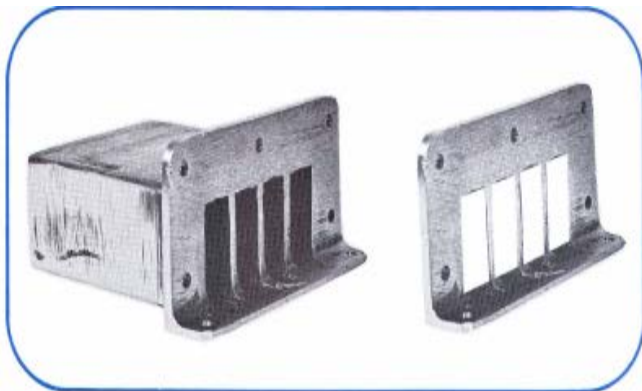
## Deck Vent

| Part# | Length  | Width  | Opening         | Finish | Wgt.   |
|-------|---------|--------|-----------------|--------|--------|
| 13425 | 11-3/4" | 8-1/4" | 6-3/4" x 2-1/8" | C.P.   | 5-1/4# |



## Freeing Port Scupper Frame

| Part# | 10 Opening      | Flange Size     | Lgth. of Spigot | Fast. | Finish | Wgt.   |
|-------|-----------------|-----------------|-----------------|-------|--------|--------|
| 12500 | 3-3/4" X 1-7/8" | 5-1/2" X 3-5/8" | 3"              | 3/16" | B.R.   | 3-1/4# |
| 21101 | 3-3/4" X 1-7/8" | 5-1/2" X 3-5/8" | 4-1/2"          | 3/16" | B.R.   | 4#     |
| 12502 | 3-3/4" X 1-7/8" | 5-1/2" X 3-5/8" |                 | 3/16" | B.R.   | 1-1/4# |



## Inboard Scupper Frame

(Available as Plated Item)

| Part# | ID Opening      | Flange Size | Lgth. Of Spigot | Fast. | Finish      | Wgt. |
|-------|-----------------|-------------|-----------------|-------|-------------|------|
| 12501 | 3-1/8" x 1-1/2" | 5" x 2-1/2" | 4"              | 3/16" | Burn. Brass | 3#   |
| 12505 | 3-1/8" x 1-1/2" | 5" x 1-1/2" |                 | 3/16" | Burn Brass  | 1#   |



## Rail Sockets

| Part# |        | Tubing Size | Length | Width  | OA Hgt. | Finish | Wgt.  |
|-------|--------|-------------|--------|--------|---------|--------|-------|
| 14050 | End    | 7/8"        | 1-1/4" | 2-1/2" | 2-1/4"  | C.P.   | 1/2#  |
| 14051 | Center | 7/8"        | 1-1/4" | 2-1/2" | 2-1/4"  | C.P.   | 6 oz. |
| 14052 | End    | 1"          | 1-1/4" | 2-1/2" | 2-1/4"  | C.P.   | 1/2#  |
| 14053 | Center | 1"          | 1-1/4" | 2-1/2" | 2-1/4"  | C.P.   | 6 oz. |



## Hand Rail Sockets

| Part# |        | Tubing Size | Base Dia. | Hgt. to rf | Finish | Wgt. |
|-------|--------|-------------|-----------|------------|--------|------|
| 14004 | End    | 1"          | 2-1/4"    | 2-3/8"     | C.P.   | 1/2# |
| 14006 | Center | 1"          | 2-1/4"    | 2-3/8"     | C.P.   | 1/2# |



## Hand Rail Sockets

| Part# |        | Tubing Size | Length | Width  | Hgt. to rt | Finish | Wgt.   |
|-------|--------|-------------|--------|--------|------------|--------|--------|
| 14194 | End    | 1-1/4"      | 3-1/4" | 1-1/2" | 4-1/8"     | C.P.   | 1-1/2# |
| 14196 | Center | 1-1/4"      | 3-1/4" | 1-1/2" | 4-1/8"     | C.P.   | 1-1/4# |



### Rail Sockets

| Part# |        | Tubing Size | OA Lgth. | Base Width | Base Lgth. | OA Hgt. | Finish |
|-------|--------|-------------|----------|------------|------------|---------|--------|
| 1800  | End    | 5/8"        | 2-1/2"   | 1-5/8"     | 1"         | 1-1/2"  | C.P.   |
| 1801  | Center | 5/8"        | 1"       | 1-1/2"     | 7/8"       | 1-1/2"  | C.P.   |



### Hand Rail Sockets

| Part# |              | Tub. Size | OA Lgth. | Base Wdth. | Base Lgth | OA Hgt. | Finish | Wgt. |
|-------|--------------|-----------|----------|------------|-----------|---------|--------|------|
| 1827  | End          | 7/8"      | 8"       | 1-1/2"     | 5-1/4"    | 2-1/4"  | C.P.   | 1#   |
| 1828  | Center       | 7/8"      | 2-3/8"   | 1-1/2"     | 1-1/4"    | 2-1/4"  | C.P.   | 1/4# |
| 14232 | End-Top Mnt. | 7/8"      | 8"       | 1-1/2"     | 5-1/4"    | 2-1/4"  | C.P.   | 1#   |



### Hand Rail Sockets

| Part# |        | Tubing Size | OA Lgth. | Base Width | Base Lgth. | OA Hgt. | Finish | Wgt. |
|-------|--------|-------------|----------|------------|------------|---------|--------|------|
| 1825  | End    | 7/8"        | 1"       | 2"         | 1-1/8"     | 1-1/2"  | C.P.   | 1/4# |
| 1826  | Center | 7/8"        | 1"       | 2"         | 1-1/8"     | 1-1/2"  | C.P.   | 1/4# |



**Closed Wire  
Rope Socket**

(Other Dia. Available)

| Part#      | Cable Dia. | OA Lgth. | Finish | Wgt.  |
|------------|------------|----------|--------|-------|
| 3190-3/16" | 3/16"      | 2-1/4"   | C.P.   | 3 oz. |
| 3190-1/4"  | 1/4"       | 2-5/8"   | C.P.   | 1/4#  |



**Open Wire  
Rope Socket**

(Other Dia. Available)

| Part#     | Cable Dia. | Pin Dia. | Width Jaws | OA Lgth. | Finish | Wgt. |
|-----------|------------|----------|------------|----------|--------|------|
| 3195-1/4" | 1/4"       | 3/8"     | 1 1/32"    | 3"       | C.P.   | 1/4# |



## Sternlight Flagpole Socket with Key Slot and Contact

| Part# | Length | Socket ID | Base Dia. | Angle | Finish | Wgt. |
|-------|--------|-----------|-----------|-------|--------|------|
| 31104 | 2-3/4" | 1-1/4"    | 3-1/4"    | 10    | C.P.   | 3/4# |



## Sternlight Flagpole Socket with Key Slot and Contact

| Part# | Length | Socket ID | Base Dia. | Angle | Finish | Wgt. |
|-------|--------|-----------|-----------|-------|--------|------|
| 31106 | 3"     | 1-1/4"    | 1-5/8"    | 8     | C.P.   | 3/4# |



## Transom Flush Mount Sternlight

| Part# | OA Length | Width OA | Depth  | Finish | Wgt.   |
|-------|-----------|----------|--------|--------|--------|
| 500-A | 5"        | 2-7/8"   | 2-1/2" | C.P.   | 1-1/2# |



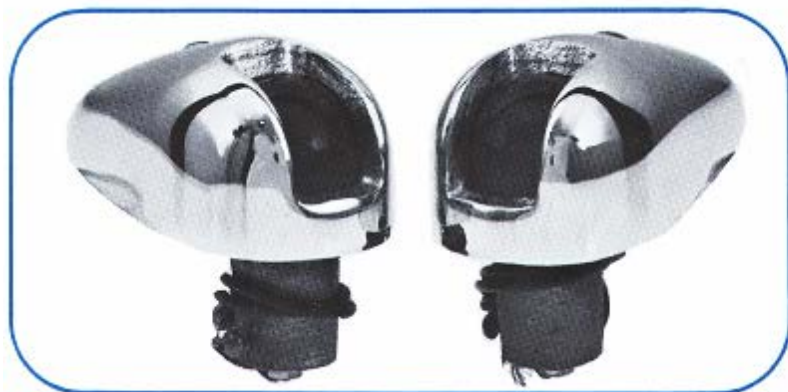
## Combination Wingtip Bowlight

| Part#     | Height | Base Size       | Finish | Wgt.   |
|-----------|--------|-----------------|--------|--------|
| 249/30025 | 1-5/8" | 5-1/2" x 3-1/4" | C.P..  | 1-1/4# |



## Wingtip Sidelight Deck Mount

| Part# |       | Height | Base Size       | Finish    | Wgt.   |
|-------|-------|--------|-----------------|-----------|--------|
| 30113 | Port  | 1-5/8" | 5-1/2" X 2-1/2" | Burnished | 1-1/4# |
| 30114 | Stbd. | 1-5/8" | 5-1/2" X 2-1/2" | Burnished | 1-1/4# |
| 30113 | Port  | 1-5/8" | 5-1/2" X 2-1/2" | C.P.      | 1-1/4# |
| 30114 | Stbd. | 1-5/8" | 5-1/2" X 2-1/2" | C.P.      | 1-1/4# |



## Wingtip Sidelight Cabin Side Mount

| Part# |       | Height | Base Size   | Finish    | Wgt.   |
|-------|-------|--------|-------------|-----------|--------|
| 247   | Port  | 1-5/8" | 4-1/2" X 2" | Burnished | 1-1/8# |
| 247   | Stbd. | 1-5/8" | 4-1/2" X 2" | Burnished | 1-1/8# |
| 247   | Port  | 1-5/8" | 4-1/2" X 2" | C.P.      | 1-1/8# |
| 247   | Stbd. | 1-5/8" | 4-1/2" X 2" | C.P.      | 1-1/8# |



**Wingtip Bowlight  
Class II or III**

| Part# | OA Length | Width OA | Finish    | Wgt. |
|-------|-----------|----------|-----------|------|
| 254   | 3"        | 3-3/8"   | Burnished | 1#   |



**Wingtip Sternlight  
Class II or III**

| Part# | OA Length | Width OA | Finish    | Wgt. |
|-------|-----------|----------|-----------|------|
| 253   | 3"        | 3-3/8"   | Burnished | 1#   |





**Vented  
Combination Bowlight  
Class "A"**

| Part#     | Socket Angle | Socket Size | Base Size   | Height | Finish | Wgt.   |
|-----------|--------------|-------------|-------------|--------|--------|--------|
| 221/30010 | 30           | 5/8"        | 6" x 3-3/4" | 3"     | C.P.   | 2-1/2# |



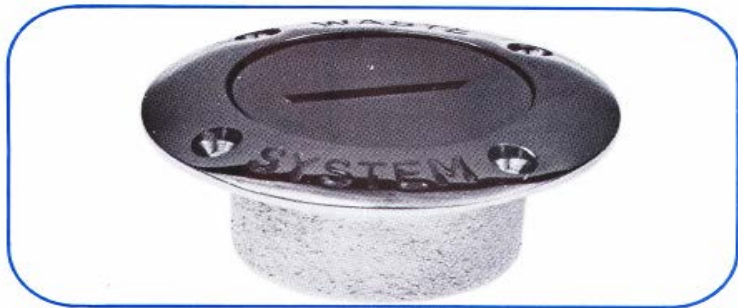
**Sidelight  
Class II**

| Part# |       | Height | Base Size   | Finish | Wgt.   |
|-------|-------|--------|-------------|--------|--------|
| 231   | Port  | 5"     | 5-1/4" x 5" | C.P.   | 2-3/4# |
| 231   | Stbd. | 5"     | 5-1/4" x 5" | C.P.   | 2-3/4# |



**Hooded  
Combination Bowlight  
Class "A"**

| Part# | Socket Angle | Socket Size | Base Size       | Height | Finish | Wgt.   |
|-------|--------------|-------------|-----------------|--------|--------|--------|
| 225   | 30           | 5/8"        | 7-1/2" x 3-3/4" | 2-1/2" | C.P.   | 3-1/4# |



**Flush Deck Pipe Plate  
With Chain and Anchor**

| Part# | Flange Marked | Pipe Size | Flange OD | Finish | Wgt.   |
|-------|---------------|-----------|-----------|--------|--------|
| 15014 | Gas           | 1-1/2"    | 3-3/4"    | C.P.   | 1-1/4# |
| 15856 | Waste         | 1-1/2"    | 3-3/4"    | C.P.   | 1-1/4# |



**Flush Deck Pipe Plate  
with Hose Barb, Chain  
and Anchor**

| Part# | Flange Marked | Hose Size | Flange OD | HB Lgth. | Finish | Wgt.   |
|-------|---------------|-----------|-----------|----------|--------|--------|
| 15126 | Gas           | 1-1/2"    | 3-3/4"    | 2"       | C.P.   | 1-3/4# |
| 15852 | Waste         | 1-1/2"    | 3-3/4"    | 2"       | C.P.   | 1-3/4# |



**Filler Cap Assembly —  
External Threads —  
with Hose Barb, Chain  
and Anchor**

| Part# | Flange Marked | Hose Size | Flange OD | HB Lgth. | Finish | Wgt.   |
|-------|---------------|-----------|-----------|----------|--------|--------|
| 15090 | Gas           | 1-1/2"    | 3-3/4"    | 2"       | C.P.   | 2-1/4# |



**Knurled Fill Cap —  
Internal Threads  
with Chain and Anchor**

| Part# | Pipe Size | Cap OD | Finish | Wgt.   |
|-------|-----------|--------|--------|--------|
| 56932 | 2"        | 3-3/8" | C.P.   | 1-1/4# |



**Knurled Fill Cap  
With Chain and Anchor**

| Part# | Pipe Size | Cap OD | Finish | Wgt. |
|-------|-----------|--------|--------|------|
| 1525  | 1-1/2"    | 2-3/4" | C.P.   | 3/4# |



**Flat Fill Cap —  
Internal Threads  
With Chain and Anchor**

(Order Specific Marking)

| Part# | Pipe Size | Cap OD | Finish | Wgt. |
|-------|-----------|--------|--------|------|
| 15103 | 1-1/2"    | 2-3/4" | C.P.   | 3/4# |



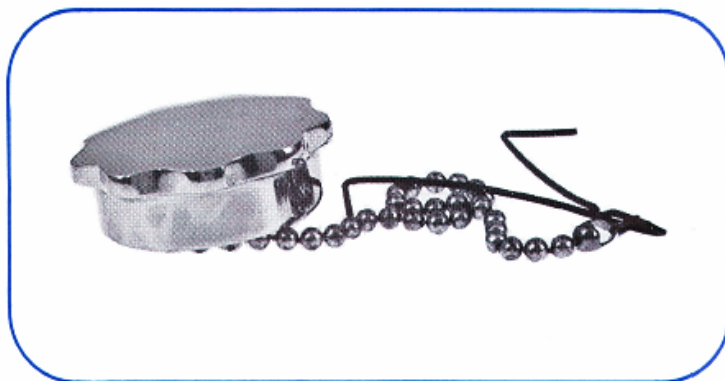
**Flat Fill Cap —  
External Threads  
With Chain and Anchor**  
(Order Specific Marking)

| Part# | Pipe Size | Cap OD | Finish | Wgt. |
|-------|-----------|--------|--------|------|
| 15250 | 1-1/2"    | 2-1/2" | C.P.   | 1/2# |



**Fill Cap With  
Chain and Anchor**  
(Order Specific Marking)

| Part# | Pipe Size | Cap OD | Finish | Wgt. |
|-------|-----------|--------|--------|------|
| 15106 | 1-1/2"    | 2"     | C.P.   | 1/2# |



**Fill Cap With  
Chain and Anchor**

| Part# | Pipe Size | Cap OD | Finish | Wgt. |
|-------|-----------|--------|--------|------|
| 1540  | 1-1/2"    | 2-1/2" | C.P.   | 1/2# |



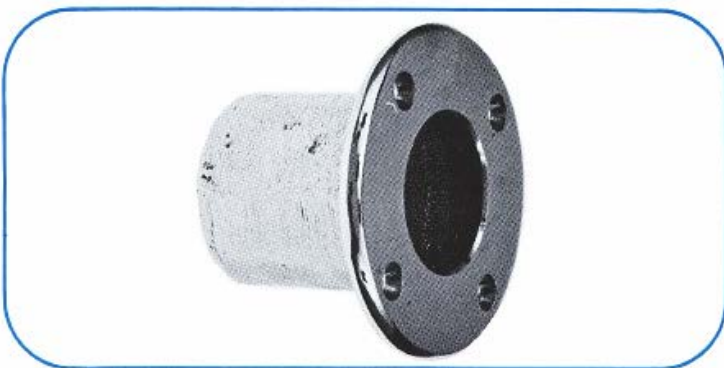
## Rope Deck Pipe Plate

| Part# | Inside Dia. | Flange Dia. | Rope Opening | Fast. | Finish | Wgt.   |
|-------|-------------|-------------|--------------|-------|--------|--------|
| 15520 | 1-3/4"      | 4"          | 3/4"         | 3/16" | C.P.   | 1-3/4# |
| 15521 | 2-1/4"      | 5"          | 1"           | 3/16" | C.P.   | 2-1/4# |
| 20911 | 3-1/2"      | 6"          | 1-1/2"       | 3/16" | C.P.   | 4-1/2# |



## Rope Deck Pipe Plate Oval Base

| Part# | Inside Dia. | Flange Dia.     | Rope Opening | Fast. | Finish | Wgt. |
|-------|-------------|-----------------|--------------|-------|--------|------|
| 15527 | 2-1/2" x 4" | 5-1/4" x 6-3/4" | 1-3/8"       | 3/16" | C.P.   | 4#   |



## Gas Tank Vent and Flame Arrester with Monel Screen

| Part#  | Pipe Size | OD     | Length | Finish    | Wgt. |
|--------|-----------|--------|--------|-----------|------|
| 1600-1 | 3/8"      | 2-1/4" | 1-1/2" | Pl. Brass | 1/2# |
| 1600-2 | 1/2"      | 2-1/4" | 1-1/2" | Pl. Brass | 1/2# |



**Hatch Handle**

| Part# | Length | Height | Grip   | Fast.  | Finish | Wgt. |
|-------|--------|--------|--------|--------|--------|------|
| 16006 | 5-1/8" | 7/8"   | 3-1/2" | 2 Hole | C.P.   | 1/4# |
| 16007 | 5-1/8" | 7/8"   | 3-1/2" | 4 Hole | C.P.   | 1/4# |



**Hatch or Support Handle**

| Part# | Length | Height | Grip | Finish | Wgt. |
|-------|--------|--------|------|--------|------|
| 16008 | 6-1/8" | 1-1/4" | 4"   | C.P.   | 1/2# |
| 16009 | 8-1/4" | 1-1/4" | 5"   | C.P.   | 1#   |



**Boat Hook**

| Part# | Finish | Wgt. |
|-------|--------|------|
| 1450  | C.P.   | 3/4# |



**Engine Hatch or  
Bow Handle —  
Blind Fasteners**

| Part# | Length | Height | Grip   | Finish | Wgt. |
|-------|--------|--------|--------|--------|------|
| 601   | 6-1/2" | 1-3/4" | 4-1/2" | C.P.   | 1/2# |



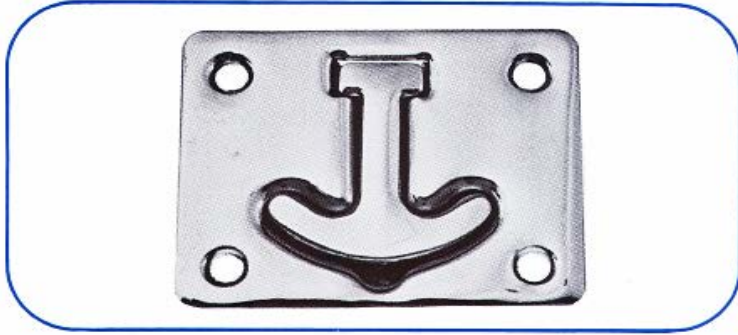
**Bow Handle or  
Grab Rail**

| Part# | Length  | Height | Grip            | Fast.  | Finish | Wgt.   |
|-------|---------|--------|-----------------|--------|--------|--------|
| 16016 | 13-1/2" | 2-1/4" | 1-3/4" x 1-3/4" | 1-5/8" | C.P.   | 1-1/4# |



**Ring Buoy Bracket**

| Part# | ID Radii | Mount Dim.  | Fast. | Finish | Wgt. |
|-------|----------|-------------|-------|--------|------|
| 16241 | 3"       | 1" x 2-3/4" | 1/4"  | C.P.   | 3/4# |



## Flush Hatch Handle

| Part# | OA Size     | Finish | Wgt. |
|-------|-------------|--------|------|
| 16050 | 3" x 2-1/2" | C.P.   | 1/4# |



## Heavy Duty Strap Hinge

| Part# | Length | Width  | Finish | Wgt. |
|-------|--------|--------|--------|------|
| 16030 | 5-3/4" | 1-1/4" | C.P.   | 1/2# |



## Strap Hinge

| Part# | Length | Width  | Finish | Wgt. |
|-------|--------|--------|--------|------|
| 1419  | 4-1/8" | 1-1/4" | C.P.   | 1/4# |





**Detachable Hinge**

| Part# | Length | Width  | Finish | Wgt. |
|-------|--------|--------|--------|------|
| 1421  | 3-3/4" | 1-1/4" | C.P.   | 1/4# |



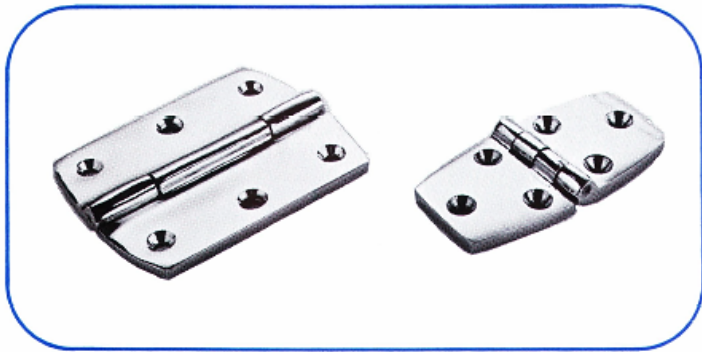
**Detachable Motor Box Hinge**

| Part# | Length | Width  | Finish | Wgt. |
|-------|--------|--------|--------|------|
| 16040 | 3-1/2" | 3"     |        | 3/4# |
| 16041 | 3-1/2" | 3"     |        | 3/4# |
| 16045 | 4"     | 1-1/4" | C.P.   | 1/4# |



**Detachable Motor Box Hinge**

| Part# | Length | Width  | Finish | Wgt. |
|-------|--------|--------|--------|------|
| 1422  | 6-1/2" | 2-3/8" | C.P.   | 3/4# |



## Cuddy Door Hinge

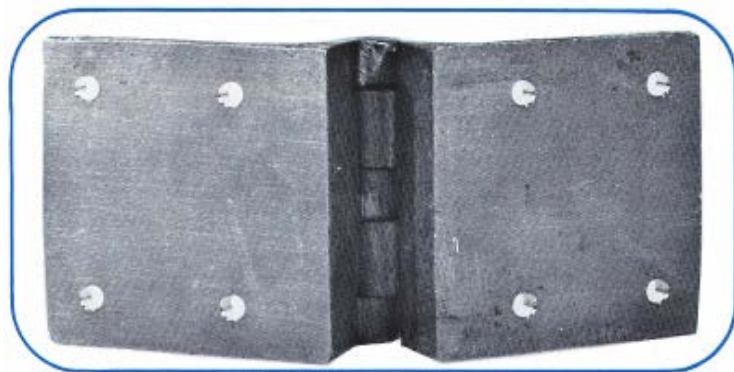
| Part# | Length | Width  | Finish | Wgt. |
|-------|--------|--------|--------|------|
| 16200 | 3"     | 1-1/2" | C.P.   | 1/4# |
| 16201 | 2-1/2" | 3-1/4" | C.P.   | 1/2# |



## Mast Hinge

Mounting Holes Drilled Per Specification

| Part# | Length      | Width   | Height | Fast. | Finish     | Wgt.   |
|-------|-------------|---------|--------|-------|------------|--------|
| 32015 | 6-1/4" x 5" | 11-7/8" | 1-1/4" | 2".   | Burn. Brz. | 4-3/4# |



## Transom Door Hinge With S.S. Pin

| Part# | Length | Width   | Finish | Wgt.   |
|-------|--------|---------|--------|--------|
| 16071 | 6"     | 2-15/16 | C.P.   | 1-1/2# |



### Window Anti-Rattler

| Part# | Width | Length | OA Height | OA Length Stud | Finish | Wgt. |
|-------|-------|--------|-----------|----------------|--------|------|
| 16250 | 1"    | 5/8"   | 1-5/8"    | 2"             | C.P.   | 1/8# |



### Window Anti-Rattler

| Part#      | Width | Length | OA Height | OA Length Stud | Finish | Wgt. |
|------------|-------|--------|-----------|----------------|--------|------|
| 0414-21811 | 2"    | 1-1/8" | 3"        | 3-1/4"         | C.P.   | 1/4# |



### Window Lock

| Part# | Length | Width  | Finish | Wgt. |
|-------|--------|--------|--------|------|
| 16210 | 2-5/8" | 1-7/8" | C.P.   | 1/8# |



## Window Lock With Offset For Track Stop

| Part# | Length | Width | Offset | Finish | Wgt. |
|-------|--------|-------|--------|--------|------|
| 16211 | 2"     | 2"    | 1/4"   | C.P.   | 1/8# |



## Hatch Lock Pin and Base

| Part# | Handle Dia. | Pin Dia. | Pin Length | Finish | Wgt. |
|-------|-------------|----------|------------|--------|------|
| 16401 | 2-3/8"      | 3/8"     | 1-1/4"     | C.P.   | 1/2# |
|       | Base Size   | Pin Dia. |            |        |      |
| 16402 | 3" x 2"     | 2-1/8"   |            | Alum.  | 1/4# |



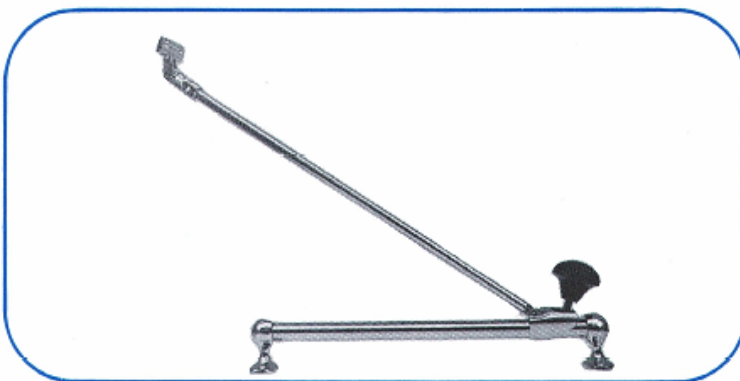
## Hatch Clamp — Right Angle

| Part# | OA Length | Width  | Height | Finish | Wgt. |
|-------|-----------|--------|--------|--------|------|
| 16413 | 3-3/4"    | 1-3/8" | 1-5/8" | Mach.  | 1/4# |



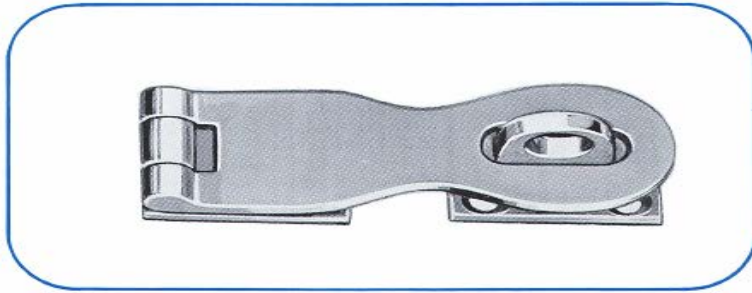
## Windshield Adjuster

| Part# |       | OA Length | Length Adj. | Base Size | Finish | Wgt. |
|-------|-------|-----------|-------------|-----------|--------|------|
| 16377 | Right | 12"       | 10"         | 1" X 5/8" | C.P.   | 1#   |
| 16378 | Left  | 12"       | 10"         | 1" X 5/8" | C.P.   | 1#   |



## Windshield Adjuster Assembly

| Part# | Arm Length | Tube Length | W/S Base        | Finish | Wgt.   |
|-------|------------|-------------|-----------------|--------|--------|
| 16381 | 19"        | 13-1/8"     | 2-1/2" X 1-3/8" | C.P.   | 2-1/2# |
| 16382 | 29-1/4"    | 14"         | 2-1/2" X 1-3/8" | C.P.   | 3#     |
| 16383 | 37-1/4"    | 8-7/8"      | 2-1/2" X 1-3/8" | C.P.   | 3-1/4# |



### Safety Hasp

| Part# | OA Length | Width | Finish | Wgt. |
|-------|-----------|-------|--------|------|
| 16430 | 3-3/4"    | 1"    | C.P.   | 1/4# |



### Berth Hanger Hook and Eye

| Part# | OA Length | Width  | Hook Opening | Strap Opening | Finish | Wgt. |
|-------|-----------|--------|--------------|---------------|--------|------|
| 16171 | 3"        | 1-7/8" | 1/2"         | 1-3/8" x 1/4" | C.P.   | 1/8# |
| 16172 | 3-1/2"    | 5/8"   | 1/2"         |               | C.P.   | 1/8# |



### Lazy Back Bracket

| Part#      | Length | Width  | Opening     | Finish | Wgt. |
|------------|--------|--------|-------------|--------|------|
| 0411-08051 | 1-1/4" | 1-3/4" | 5/8" x 5/8" | Mach.  | 1/8# |



### Coat Hook

| Part# | Base    | Finish    | Wgt. |
|-------|---------|-----------|------|
| 1475  | 1" x 1" | Pl. Brass | 1/8# |



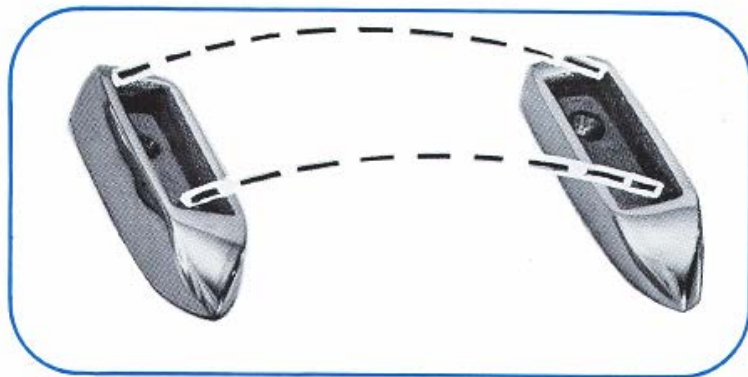
## Anchor Fluke Chock

| Part# | Base Size       | Finish      | Wgt. |
|-------|-----------------|-------------|------|
| 2907  | 2-1/4" x 2-3/4" | Burn. Brass | 3/4# |



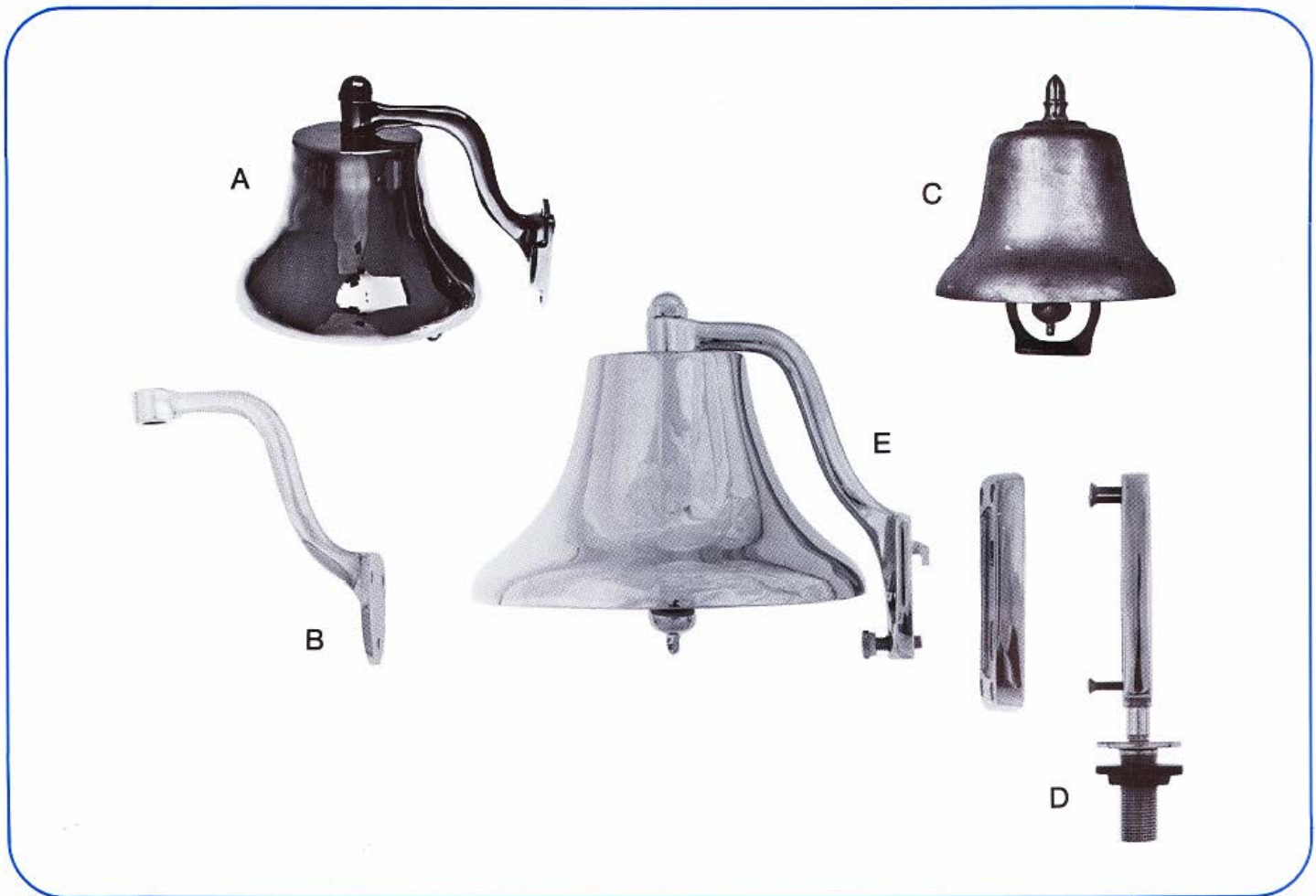
## Anchor Shank Chock

| Part# | Base Size       | Finish      | Wgt.   |
|-------|-----------------|-------------|--------|
| 2908  | 2-1/4" x 3-1/2" | Burn. Brass | 1-1/4# |



## Boat Cover Socket

| Part# | Length | Opening       | Height | Finish     | Wgt. |
|-------|--------|---------------|--------|------------|------|
| 14060 | 3-1/4" | 1/2" x 1-7/8" | 1/2"   | Burn Brass | 1/4# |

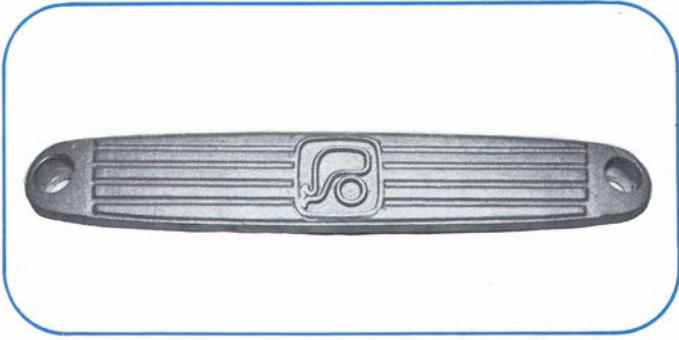


## Bulkhead or Base Mounted Ships Fog Bell — Cast Bronze

(Components may be ordered separately)

| Part# | Diameter | Finish | Wgt. | Style | Bracket Type             |
|-------|----------|--------|------|-------|--------------------------|
| 17521 | 8"       | C.P.   |      | B     | Fixed Bulkhead Mount     |
| 17525 | 6"       | C.P.   |      | B     | Fixed Bulkhead Mount     |
| 17528 | 8"       | C.P.   |      | E     | Removable Bulkhead Mount |





## Ladder Step

| Part# | OA Length | Width   | ¢       | Tubing | Finish     | Wgt. |
|-------|-----------|---------|---------|--------|------------|------|
| 33060 | 15"       | 2-7/16" | 13-3/8" | 7/8"   | Alum.-Bond | 1#   |



## Boarding Step

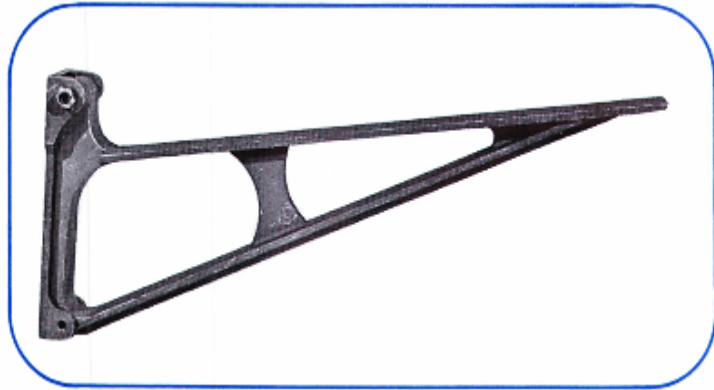
| Part#  | Length  | Width  | Opening | Fast.      | Finish      | Wgt. |
|--------|---------|--------|---------|------------|-------------|------|
| 1000-1 | 6-3/4"  | 4-3/8" | 4" X 1" | 1/4" Bolts | Burn. Brass | 2#   |
| 1000-2 | 11-1/4" | 4-3/8" | 4" X 1" | 1/4" Bolts | Burn. Brass | 3#   |



## Swim Platform Bracket

(Other Angles and Sizes Available)

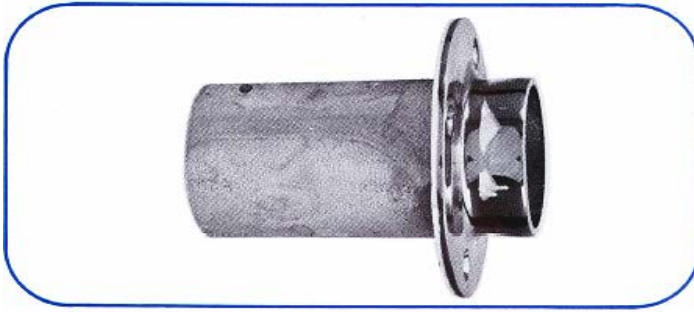
| Part#   | Angle | Length  | Height | Width   | Bolt | Finish      | Wgt.   |
|---------|-------|---------|--------|---------|------|-------------|--------|
| 33074-A | 10°   | 14"     | 6"     | 1-3/16" | 3/8" | Alum.-Bond  | 1-1/4# |
| 33077-A | 15°   | 14-1/4" | 6-1/2" | 1-3/16" | 3/8" | Alum.-Bond  | 1-1/4# |
| 33079-A | 80    | 20"     | 9-1/2" | 1-1/2"  | 3/8" | Alum.-Bond  | 2-1/4# |
| 33079   | 80    | 20"     | 9-1/2" | 1-1/2"  | 3/8" | Brass-Mach. | 8-1/4# |



## Swim Platform Bracket Hinge Type

(Other Angles and Sizes Available)

| Part# | Angle | Length  | Height | Width  | Bolt | Hinge       | Finish      | Wgt.   |
|-------|-------|---------|--------|--------|------|-------------|-------------|--------|
| 33076 | 10°   | 16-1/4" | 8"     | 1-1/8" | 1/4" | 8" X 2-1/2" | Brass-Mach. | 7-1/2# |
| 33057 | 12°   | 18-1/2" | 8"     | 1-1/2" | 1/4" | 8" X 2-1/4" | Alum.-Bond  | 2-3/4# |



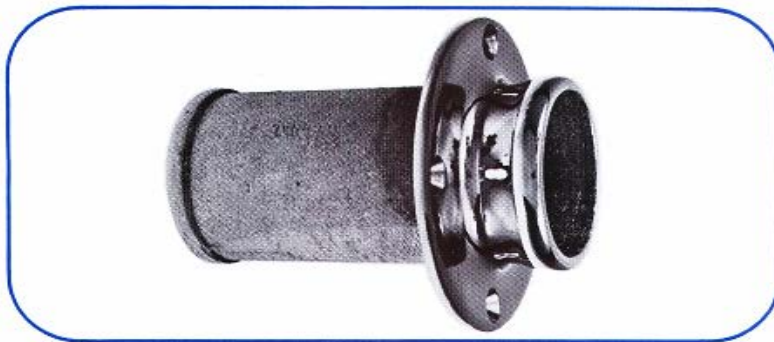
## Exhaust Tube — Straight

| Part# | Hose Size | OA Length | Fig. Dia. | Fast. | Finish | Wgt.   |
|-------|-----------|-----------|-----------|-------|--------|--------|
| 18009 | 2-1/2"    | 4"        | 4"        | 1/4"  | B.R.   | 3-1/2# |
| 18103 | 3-1/2"    | 5"        | 5-1/8"    | 1/4"  | B.R.   | 4-1/4# |



## Trumpet Exhaust Tube (Other Transom Angles Available)

| Part# | Hose Size | OA Length | Fig. Dia. | Exh. Dim. Outlet | Trans. Angle | Fast.  | Finish | Wgt. |
|-------|-----------|-----------|-----------|------------------|--------------|--------|--------|------|
| 18076 | 3"        | 11-3/4"   | 6"        | 5-1/2" x 5/8"    | 12°          | 6-1/4" | C.P.   | 8#   |



## Exhaust Tube — Flared

| Part# | Hose Size | OA Length | Fig. Dia. | Fast. | Finish | Wgt.    |
|-------|-----------|-----------|-----------|-------|--------|---------|
| 18100 | 1-5/8"    | 4"        | 3-1/2"    | 1/4"  | B.P.   | 1-3/4#  |
| 18110 | 2-1/2"    | 4-5/8"    | 4-1/4"    | 1/4"  | B.P.   | 2-1/4#  |
| 18120 | 3"        | 5"        | 5"        | 1/4"  | B.P.   | 3#      |
| 18130 | 4"        | 5-3/4"    | 6"        | 1/4"  | B.P.   | 5-1/2#  |
| 18105 | 5"        | 6-1/4"    | 7-5/8"    | 3/8"  | B.P.   | 8-1/2#  |
| 18106 | 6"        | 7-1/2"    | 9-1/4"    | 3/8"  | B.P.   | 16-1/2# |



## Exhaust Tube Straight with Flapper

| Part# | Hose Size | OA Length | Fig. Dia. | Fast. | Finish | Wgt.   |
|-------|-----------|-----------|-----------|-------|--------|--------|
| 18112 | 1-1/2"    | 4-1/4"    | 3-1/4"    | 3/16" | B.R.   | 1-1/4# |
| 18113 | 2-1/2"    | 5-1/4"    | 4-1/4"    | 3/16" | B.R.   | 3#     |
| 18114 | 3"        | 4-7/8"    | 5"        | 1/4"  | B.R.   | 2-3/4# |
| 18116 | 4"        | 6-7/8"    | 6"        | 1/4"  | B.R.   | 5-3/4# |



## Exhaust Tube With Flapper (Available in other degrees)

| Part# | Hose Size | OA Length | Fig. Dia. | Trans. Angle | Fast. | Finish | Wgt.   |
|-------|-----------|-----------|-----------|--------------|-------|--------|--------|
| 18126 | 3"        | 5-3/4"    | 5"        | 12°          | 3/16" | B.R.   | 3-1/2# |
| 18129 | 3-1/2"    | 7-1/4"    | 6-3/8"    | 12°          | 1/4"  | B.R.   | 6-1/2# |
| 18136 | 4"        | 7"        | 6"        | 12°          | 1/4"  | B.R.   | 6-3/4# |
| 18124 | 3"        | 7-1/4"    | 6-3/8"    | 12°          | 1/4"  | B.R.   | 6-1/2# |



## Exhaust Deflector

| Part# | ID Radii | Mount Dim. | Width Flange | Fast. | Finish | Wgt.   |
|-------|----------|------------|--------------|-------|--------|--------|
| 18160 | 6"       | 8-1/2"     | 1"           | 1/4"  | B.R.   | 4-3/4# |
| 18180 | 8"       | 10-1/2"    | 1"           | 1/4"  | B.R.   | 6-3/4# |



## Exhaust Tube With 90° Hose Barb

| Part# | Hose Size | OA Length | Fig. Dia. | Elbow Length | Fast. | Finish | Wgt.   |
|-------|-----------|-----------|-----------|--------------|-------|--------|--------|
| 18127 | 3"        | 9"        | 5"        | 3"           | 1/4"  | B.R.   | 4-3/4# |



## Exhaust Trim Flange

| Part#  | Flange OD | Flange ID | Fast. | Finish | Wgt.   |
|--------|-----------|-----------|-------|--------|--------|
| 1300-0 | 4"        | 2"        | 1/4"  | B.R..  | 1/4#   |
| 1300-2 | 4-1/8"    | 2-1/2"    | 3/16" | B.R.   | 1/4#   |
| 1300-3 | 5-3/8"    | 3-3/16"   | 3/16" | B.R.   | 3/4#   |
| 18307  | 7"        | 5"        | 3/16" | B.R.   | 1-1/4# |
| 18304  | 4-9/16"   | 2-9/16"   | 3/16" | B.R.   | 1#     |



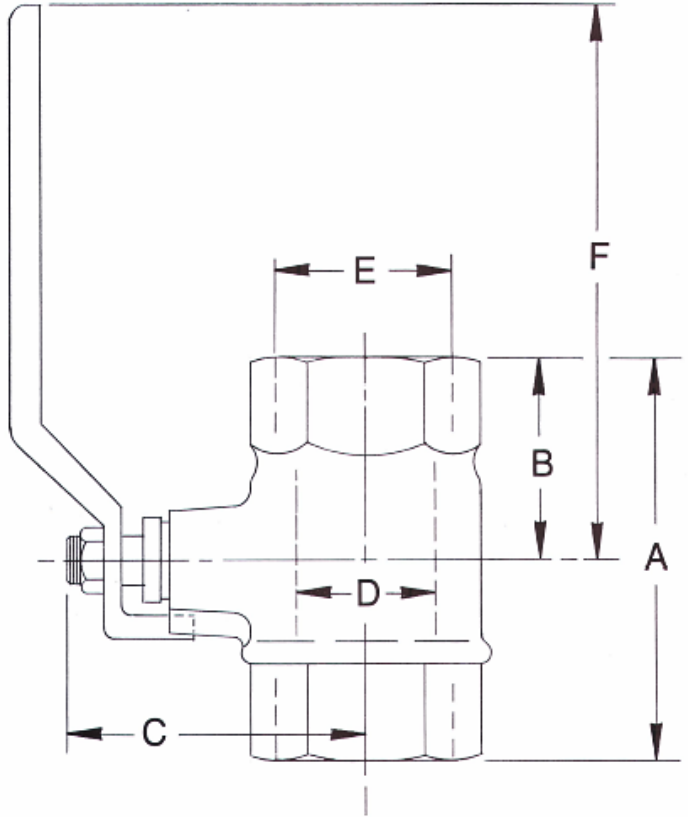
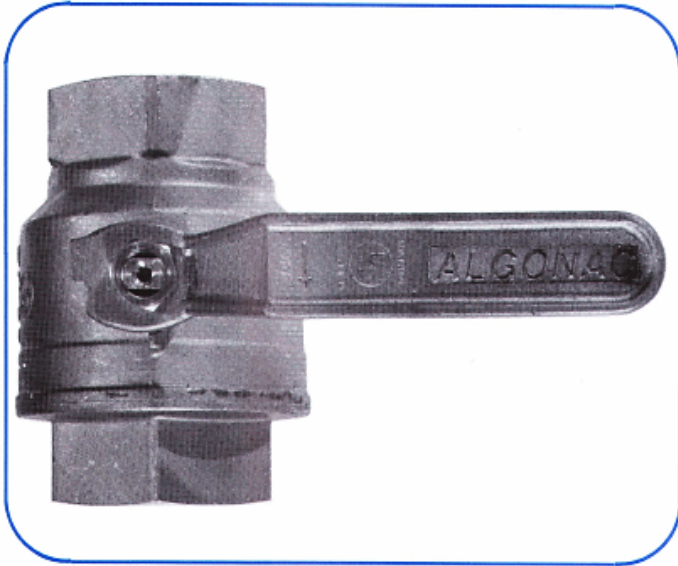
## Exhaust Tube (Available in other degrees)

| Part# | Hose Size | OA Length | Fig. Data. | Tans. Angle | Fast. | Finish | Wgt.   |
|-------|-----------|-----------|------------|-------------|-------|--------|--------|
| 18314 | 3-1/2"    | 5-3/4"    | 6-1/4"     | 8°          | 1/4"  | C.P.   | 4-1/4# |



## Brass Exhaust Elbows

| Reference Numbers |      |
|-------------------|------|
| 16.95-00035       | 1643 |
| 16.95-00039       | 2157 |
| 16.95-00046       | 3904 |
| 16.95-00047       | 4024 |
| 16.95-00048       | 4028 |
| 16.95-00049       | 4130 |
| 16.95-00050       | 1740 |
| 16.95-00051       | 4116 |
| 16.95-00094       | 6241 |
| 0411-16454        | 1645 |



## Standard Sea Valves without Flange

Dimensions in Inches    100% Full Port

| Part# | Valve Size | A    | B    | C    | D    | NPT<br>E | F    | CV*    |
|-------|------------|------|------|------|------|----------|------|--------|
| 20160 | 1/2        | 2.44 | 1.22 | 1.53 | 0.59 | 1/2      | 2.95 | 20.25  |
| 20161 | 3/4        | 2.71 | 1.36 | 1.88 | 0.79 | 3/4      | 3.74 | 41.83  |
| 20162 | 1          | 3.30 | 1.65 | 2.36 | 1.00 | 1        | 4.72 | 78.38  |
| 20163 | 1-1/4      | 3.79 | 1.90 | 2.59 | 1.26 | 1-1/4    | 4.72 | 132.10 |
| 20164 | 1-1/2      | 4.17 | 2.08 | 3.22 | 1.57 | 1-1/2    | 5.90 | 206.96 |
| 20165 | 2          | 5.00 | 2.50 | 3.50 | 2.00 | 2        | 5.90 | 346.00 |
| 20166 | 2-1/2      | 6.06 | 3.03 | 4.72 | 2.48 | 2-1/2    | 7.87 | 484.39 |
| 20167 | 3          | 7.08 | 3.54 | 5.30 | 2.99 | 3        | 7.87 | 638.50 |

\*THE CV FACTOR IS THE GALLONS OF WATER PER MINUTE PASSED THROUGH THE VALVE WITH 1 PSI PRESSURE DROP.

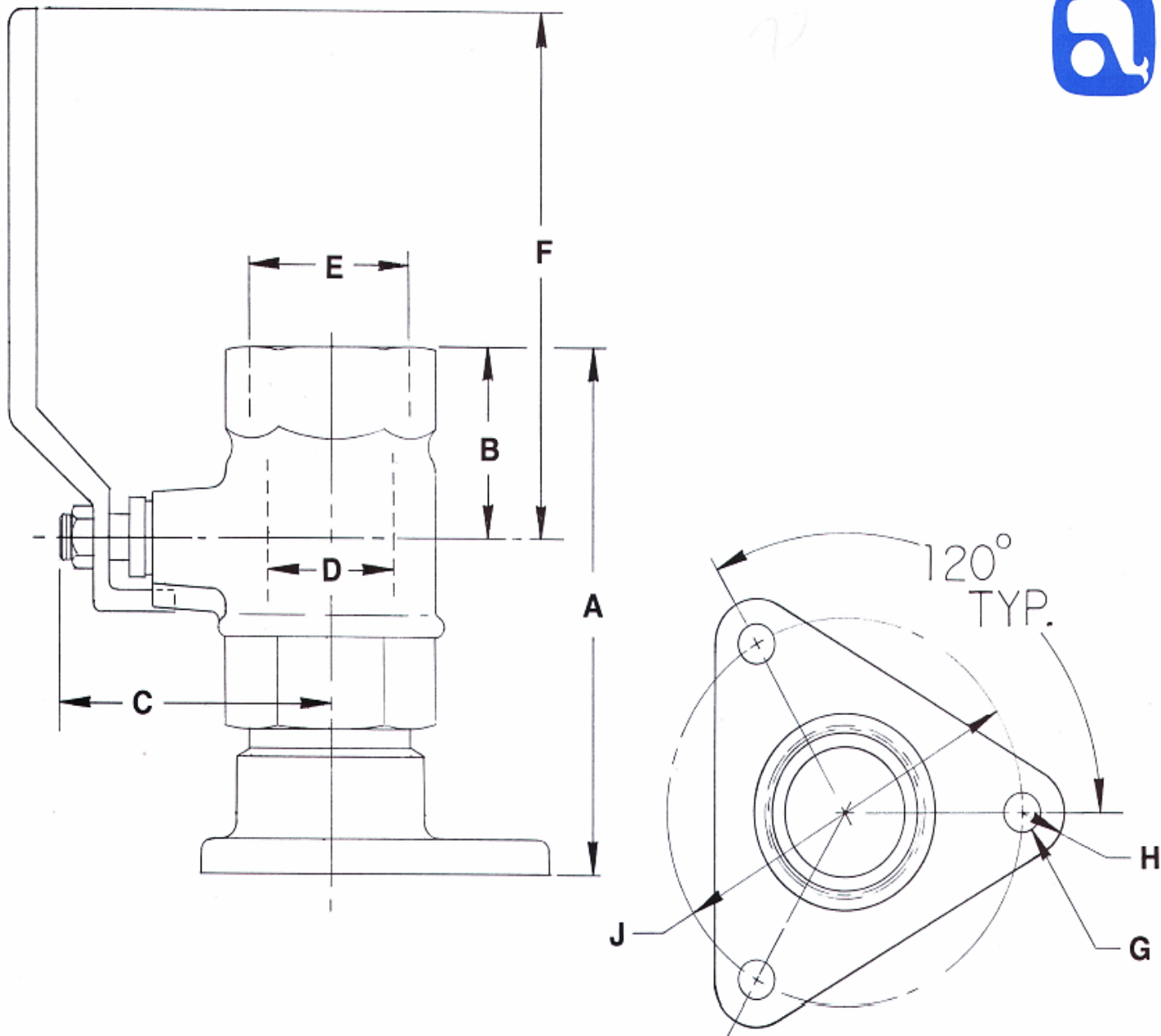


## Sea Valves with Flange



**SEE NEXT PAGE**

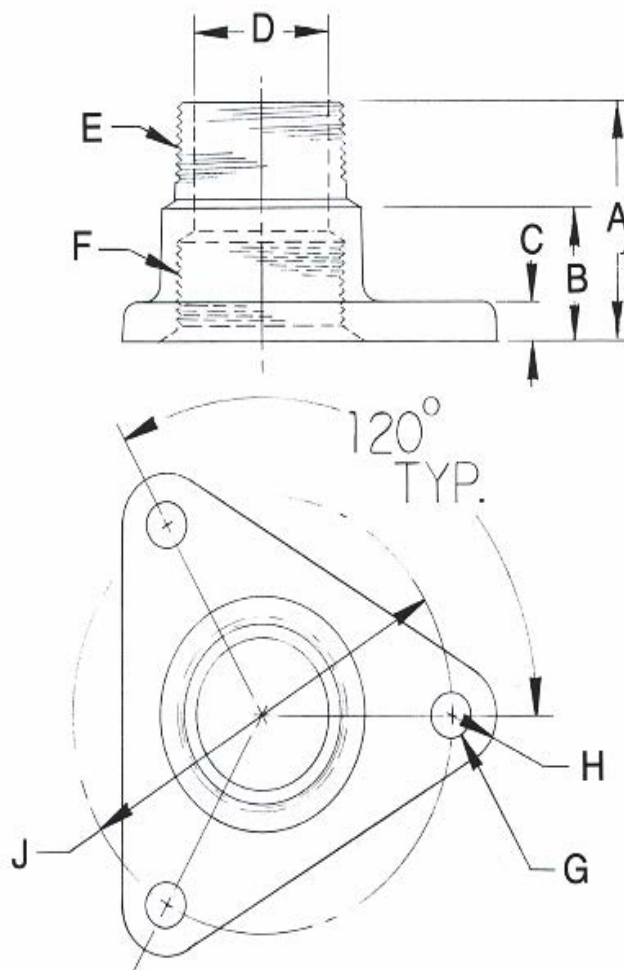




**Sea Valves with Flange**  
 Dimensions in Inches    100% Full Port

| Part# | Valve Size | A    | B    | C    | D    | NPT<br>E | F    | G    | H    | J    | CV*    |
|-------|------------|------|------|------|------|----------|------|------|------|------|--------|
| 20190 | 1/2        | 3.75 | 1.22 | 1.53 | 0.59 | 1/2      | 2.95 | .313 | .437 | 2.75 | 20.25  |
| 20191 | 3/4        | 4.06 | 1.36 | 1.88 | 0.79 | 3/4      | 3.75 | .343 | .437 | 3.00 | 41.83  |
| 20192 | 1          | 4.75 | 1.65 | 2.36 | 1.00 | 1        | 4.72 | .343 | .437 | 3.50 | 78.38  |
| 20193 | 1-1/4      | 5.25 | 1.90 | 2.59 | 1.26 | 1-1/4    | 4.72 | .437 | .500 | 4.00 | 132.10 |
| 20194 | 1-1/2      | 5.75 | 2.08 | 3.22 | 1.57 | 1-1/2    | 5.90 | .437 | .500 | 4.25 | 206.96 |
| 20195 | 2          | 6.63 | 2.50 | 3.50 | 2.00 | 2        | 5.90 | .468 | .562 | 4.75 | 346.00 |
| 20196 | 2-1/2      | 8.38 | 3.03 | 4.72 | 2.48 | 2-1/2    | 7.87 | .468 | .562 | 5.25 | 484.39 |
| 20197 | 3          | 9.44 | 3.54 | 5.30 | 2.99 | 3        | 7.87 | .468 | .562 | 5.75 | 638.50 |

\*THE CV FACTOR IS THE GALLONS OF WATER PER MINUTE PASSED THROUGH THE VALVE WITH 1 PSI PRESSURE DROP.



## Sea Valve Flange

Dimensions in Inches

| Part# | Valve Size | A    | B    | C   | D    | NPT E | NPS F | G    | H    | J    | Material     |
|-------|------------|------|------|-----|------|-------|-------|------|------|------|--------------|
| 20180 | 1/2        | 1.81 | 1.03 | .25 | .50  | 1/2   | 1/2   | .313 | .437 | 2.75 | Mang. Bronze |
| 20181 | 3/4        | 1.87 | 1.06 | .31 | .75  | 3/4   | 3/4   | .343 | .437 | 3.00 | Mang. Bronze |
| 20182 | 1          | 2.14 | 1.19 | .37 | .94  | 1     | 1     | .343 | .437 | 3.50 | Mang. Bronze |
| 20183 | 1-1/4      | 2.25 | 1.25 | .37 | 1.25 | 1-1/4 | 1-1/4 | .437 | .500 | 4.00 | 81 Brass     |
| 20184 | 1-1/2      | 2.31 | 1.28 | .37 | 1.50 | 1-1/2 | 1-1/2 | .437 | .500 | 4.25 | 81 Brass     |
| 20185 | 2          | 2.37 | 1.31 | .50 | 2.00 | 2     | 2     | .468 | .562 | 4.75 | 81 Brass     |
| 20186 | 2-1/2      | 3.50 | 1.97 | .50 | 2.50 | 2-1/2 | 2-1/2 | .468 | .562 | 5.25 | 81 Brass     |
| 20187 | 3          | 3.62 | 2.00 | .50 | 3.00 | 3     | 3     | .468 | .562 | 5.75 | 81 Brass     |



### Thru Hull with Nut

| Part#      | Pipe Size | Flange OD | OA Length | Finish | Wgt.  |
|------------|-----------|-----------|-----------|--------|-------|
| 3130 37172 | 1/2"      | 1-3/4"    | 2-3/8"    | Mach.  | 6 oz. |



### Thru Hull or Deck Scupper Face Mount

| Part# | OD Stem | ID Stem | Flange OD | Bend | Finish | Wgt. |
|-------|---------|---------|-----------|------|--------|------|
| 3101  | 1-1/4"  | 1"      | 2-3/4"    | 90°  | Mach.  | 1#   |



### Integral One Piece Intake Strainer with Nut

| Part# | Pipe Size | Base Size       | Stem Length | OA Length | Finish | Wgt.   |
|-------|-----------|-----------------|-------------|-----------|--------|--------|
| 20050 | 1/2"      | 2-1/2" X 3-1/2" | 2-1/2"      | 3-3/8"    | Mach.  | 1#     |
| 20051 | 3/4"      | 3" X 4"         | 3-1/4"      | 4"        | Mach.  | 1-1/4# |
| 20052 | 1"        | 3-1/8" X 4-1/2" | 4-1/4"      | 5-1/2"    | Mach.  | 1-1/2# |
| 20053 | 1-1/4"    | 4" X 5"         | 3-7/8"      | 5-1/4"    | Mach.  | 2-1/2# |
| 20054 | 1-1/2"    | 5" X 7"         | 3-3/4"      | 5-1/4"    | Mach.  | 4-1/2# |
| 20055 | 2"        | 6-1/4" X 9-1/8" | 4"          | 5-3/4"    | Mach.  | 6-1/2# |



**Integral One Piece  
Intake Strainer  
with Hose Barb and Nut**

| Part# | Hose ID | Base Size       | Stem Length | OA Length | Finish | Wgt.   |
|-------|---------|-----------------|-------------|-----------|--------|--------|
| 20060 | 1/2"    | 2-1/2" x 3-1/2" | 3-1/2"      | 4-3/8"    | Mach.  | 1-1/4# |
| 20061 | 3/4"    | 3" x 4"         | 4-1/4"      | 5"        | Mach.  | 1-3/4# |
| 20062 | 1"      | 3-1/2" x 4-3/4" | 3-1/8"      | 4-1/4"    | Mach.  | 1-3/4# |
| 20063 | 1-1/4"  | 4" x 5"         | 3-7/8"      | 5-1/4"    | Mach.  | 2-1/4# |



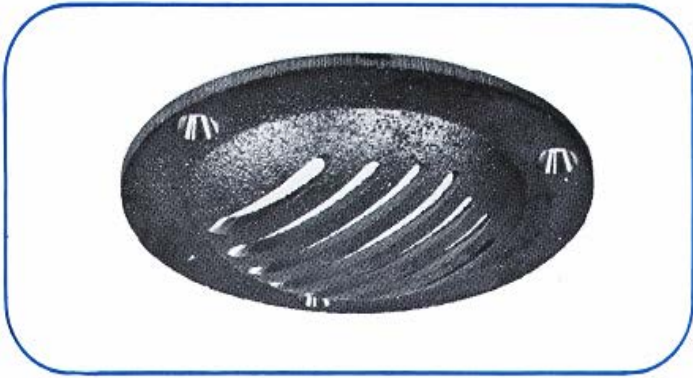
**Integral One Piece  
Intake Strainer  
with Clean Out**

| Part# | Pipe Size | Length | Width  | Stem Length | OA Length | Finish | Wgt.   |
|-------|-----------|--------|--------|-------------|-----------|--------|--------|
| 20094 | 1-1/4"    | 6-3/8" | 4-1/4" | 3-1/4"      | 4-3/4"    | Mach.  | 3-1/4# |



**Fan Type  
Hi-Speed Intake Strainer  
with Nut**

| Part# | Pipe Size | Base Size       | Stem Length | OA Length | Finish | Wgt. |
|-------|-----------|-----------------|-------------|-----------|--------|------|
| 20085 | 1"        | 3-3/4" x 2-3/4" | 2-5/8"      | 3-1/2"    | Mach.. | 1#   |



## Round Brass Strainer

| Part # | Thru Hull Size | Length  | Width  | ID Length | ID Width | Finish | Wgt.   |
|--------|----------------|---------|--------|-----------|----------|--------|--------|
| 20074  | 1/2" to 1"     | 5"      | 4-1/8" | 3-5/8"    | 2-5/8"   | Mach.  | 1#     |
| 20076  | 1-1/4" to 2"   | 9-1/4"  | 6-1/2" | 7-1/4"    | 4-1/2"   | Mach.  | 3-1/2# |
| 20078  | 2-1/2" to 5"   | 12-5/8" | 7-3/4" | 9-3/4"    | 6"       | Mach.  | 5#     |
| 20077  | 2-1/2"         | 10-3/4" | 6-7/8" | 8-1/2"    | 5-1/2"   | Mach.  | 4#     |



## Direct Flow Thru Hull — With Nut

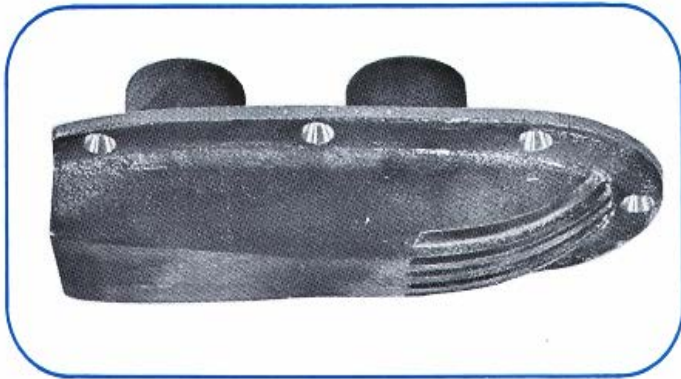
(For use with Scoop Strainers)

| Part# | Thread Size | Thread Length | Inside Dia. | Wgt.   |
|-------|-------------|---------------|-------------|--------|
| 20147 | 2-1/2"      | 3-3/4"        | 2-1/4"      | 3-1/4# |
| 20148 | 3"          | 3-7/8"        | 2-3/4"      | 5#     |
| 20150 | 4"          | 4"            | 3-3/4"      | 7#     |



## Round Brass Strainer

| Part# | O.D.   | Finish | Wgt. |
|-------|--------|--------|------|
| 2032  | 3-1/2" | Mach.  | 1/2# |



## Bait Tank or Circulating Fitting

| Part# | OA Length | Width | Intake Strainer | Discharge | Flange | Finish | Wgt.   |
|-------|-----------|-------|-----------------|-----------|--------|--------|--------|
| 20106 | 6"        | 3"    | 3/4 Pipe        | 3/4 Pipe  | 1/2"   | Mach.  | 2-1/4# |



## Pipe or Tank Flange

(Available in Aluminum or Brass)

| Part# | N.P.T. Size | Fast. Hole | Bolt Circle | Finish | Wgt. (Brass) |
|-------|-------------|------------|-------------|--------|--------------|
| 15904 | 1/4-18      | 4          | 1-3/8"      | Mach.  | 1 oz.        |
| 15905 | 3/8-18      | 4          | 1-1/2"      | Mach.  | 2 oz.        |
| 15907 | 1/2-14      | 3          | 1-11/16"    | Mach.  | 2 oz.        |
| 15908 | 1/2-14      | 4          | 1-11/16"    | Mach.  | 2 oz.        |



## Pipe Plugs

(Available in Aluminum or Brass)

| Part# | N.P.T. Size | Finish | Wgt. (Brass) |
|-------|-------------|--------|--------------|
| 21947 | 1/2-14      | Mach.  | 2 oz.        |
| 21951 | 3/4-14      | Mach.  | 2 oz.        |



## Drain Plug Assembly

| Part# | OA Height | Base Dia. | ID Drain | Hull Open. | Thru Hull Lgth. | Finish | Wgt. |
|-------|-----------|-----------|----------|------------|-----------------|--------|------|
| 21314 | 4"        | 2-1/2"    | 7/8"     | 1-3/8"     | 5/8"            | Mach.  | 3/4# |



## Drain Plug Assembly

| Part# | OA Height | Base Dia. | ID Drain | Hull Open. | Thru Hull Lgth. | Finish | Wgt. |
|-------|-----------|-----------|----------|------------|-----------------|--------|------|
| 21315 | 4"        | 2-1/2"    | 7/8"     | 1-3/8"     | 3/8"            | Mach.  | 3/4# |



## Drain Plug Assembly with Locknut

| Part# | OA Height | Base Dia. | ID Drain | Hull Open. | Thru Hull Lgth. | Finish | Wgt.   |
|-------|-----------|-----------|----------|------------|-----------------|--------|--------|
| 21313 | 4"        | 2-1/2"    | 7/8"     | 1-3/8"     | 1"              | Mach.  | 1-1/4# |
| 21316 | 4"        | 2-1/2"    | 7/8"     | 1-3/8"     | 1-1/2"          | Mach.  | 1-1/4# |



## Drain Plug Assembly

| Part#  | OA Height | Base Dia. | ID Drain | Hull Open. | Thru Hull Lgth. | Finish | Wgt. |
|--------|-----------|-----------|----------|------------|-----------------|--------|------|
| 1960-1 | 5-3/4"    | 2-1/2"    | 7/8"     | 1-3/8"     | 3/8"            | Mach.  | 1#   |
| 1960-2 | 5-3/4"    | 2-1/2"    | 7/8"     | 1-3/8"     | 5/8"            | Mach.  | 1#   |



## Drain Plug Assembly with Locknut

| Part# | OA Height | Base Dia. | ID Drain | Hull Open. | Thru Hull Lgth. | Finish | Wgt.   |
|-------|-----------|-----------|----------|------------|-----------------|--------|--------|
| 21317 | 6-1/2"    | 2-1/2"    | 7/8"     | 1-3/8"     | 1-1/4"          | Mach.  | 1-1/2# |



## Scupper Grille

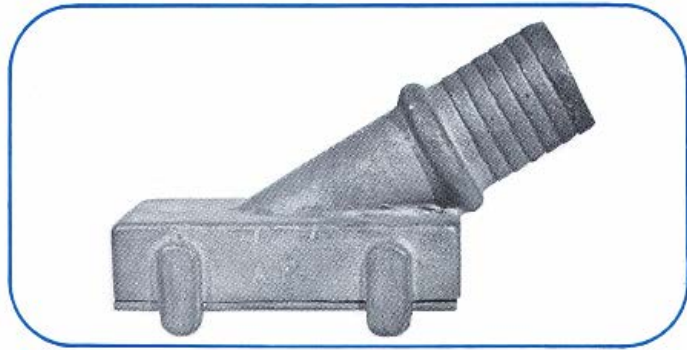
| Part# | OD | Thickness | Fast. | Finish | Wgt. |
|-------|----|-----------|-------|--------|------|
| 4003  | 6" | 3/16"     | 3/16" | C.P.   | 3/4# |





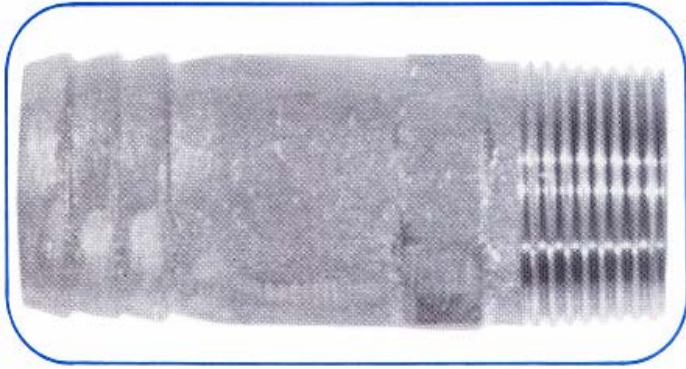
**Bilge Pump Strainer**

| Part# | HB Dim. | Strainer Dim. | Finish | Wgt. |
|-------|---------|---------------|--------|------|
| 20150 | 5/8"    | 4-1/4" X 2"   | Mach.  | 1#   |
| 20151 | 3/4"    | 4-1/4" X 2"   | Mach.  | 1#   |



**Bilge Pump Strainer**

| Part# | HB Size | Barb Angle | OA Dim. | Finish | Wgt. |
|-------|---------|------------|---------|--------|------|
| 3150  | 1-1/2"  | 30°        | 3/16"   | Mach.  | 3#   |



## Hose to Pipe Straight Adapters External Threads

| Part # | Hose I.D. | Pipe   | Wgt.   |
|--------|-----------|--------|--------|
| 21801  | 1/2"      | 3/8"   | 3 oz.  |
| 21803  | 3/8"      | 1/2"   | 1/4#   |
| 21805  | 3/4"      | 1/2"   | 5 oz.  |
| 21806  | 1"        | 1/2"   | 5 oz.  |
| 21807  | 1/2"      | 3/4"   | 5 oz.  |
| 21810  | 1-1/4"    | 3/4"   | 10 oz. |
| 21812  | 1/2"      | 1"     | 5 oz.  |
| 21816  | 3/4"      | 1-1/4" | 3/4#   |
| 21817  | 1"        | 1-1/4" | 1#     |
| 21818  | 1-1/4"    | 1-1/4" | 1#     |
| 21819  | 1-1/2"    | 1-1/4" | 1#     |
| 21820  | 2"        | 1-1/4" |        |
| 21821  | 1"        | 1-1/2" | 1#     |
| 21822  | 1-1/4"    | 1-1/2" | 1-1/4# |
| 21823  | 1-1/2"    | 1-1/2" | 1-1/4# |
| 21824  | 1-3/4"    | 2"     | 2-1/4# |
| 21825  | 1-1/4"    | 2"     | 1-1/2# |
| 21826  | 1-1/2"    | 2"     | 1-3/4# |
| 21827  | 2"        | 2"     | 2#     |
| 21828  | 2"        | 2-1/2" | 2-1/2# |
| 21829  | 2-1/2"    | 2-1/2" | 3#     |
| 21890  | 3"        | 3"     | 3-1/2# |



## Hose to Pipe Adapters 45° Short Elbow

| Part# | Hose I.D. | Pipe   | Wgt.   |
|-------|-----------|--------|--------|
| 21842 | 1/2"      | 1"     | 5 oz.  |
| 21843 | 3/4"      | 1"     | 1/2#   |
| 21844 | 1"        | 1"     | 1/2#   |
| 21845 | 1-1/4"    | 1"     | 3/4#   |
| 21846 | 3/4"      | 1-1/4" | 3/4#   |
| 21847 | 1"        | 1-1/4" | 1#     |
| 21848 | 1-1/4"    | 1-1/4" | 1#     |
| 21849 | 1-1/2"    | 1-1/4" | 1-1/4# |
| 21850 | 2"        | 1-1/4" | 1-3/4# |
| 21851 | 1"        | 1-1/2" | 1#     |
| 21852 | 1-1/4"    | 1-1/2" | 1-1/4# |
| 21853 | 1-1/2"    | 1-1/2" | 1-1/4# |
| 21854 | 1-3/4"    | 1-1/4" | 1-5/8# |
| 21855 | 1-1/4"    | 2"     | 1-1/2# |
| 21856 | 1-1/2"    | 2"     | 1-3/4# |
| 21857 | 2"        | 2"     | 2#     |
| 21858 | 3"        | 3"     | 3-1/4# |
| 21859 | 2-1/2"    | 2-1/2" | 3#     |



## Hose to Pipe Straight Adapters Internal Threads

| Part 11 | Hose I.D. | P1pe   | Wgt .  |
|---------|-----------|--------|--------|
| 21751   | 1/2"      | 3/8"   | 7 oz.  |
| 21759   | 1"        | 3/4"   | 3/4#   |
| 21768   | 1-1/4"    | 1-1/4" | 1-1/4# |
| 21777   | 2"        | 2"     | 2-1/4# |



## Hose to Pipe Adapters 90° Short Elbow

| Part# | Hose I.O. | Pipe   | Wgt.   |
|-------|-----------|--------|--------|
| 21864 | 1/2"      | 1/2"   | 1/4#   |
| 21865 | 3/4"      | 1/2"   | 1/4#   |
| 21868 | 3/4"      | 3/4"   | 1/2#   |
| 21869 | 1"        | 3/4"   | 1/2#   |
| 21873 | 3/4"      | 1"     | 1/2#   |
| 21874 | 1"        | 1"     | 3/4#   |
| 21875 | 1-1/4"    | 1"     | 1#     |
| 21877 | 1"        | 1-1/4" | 1#     |
| 21878 | 1-1/4"    | 1-1/4" | 1-1/2# |
| 21879 | 1-1/2"    | 1-1/4" | 1-3/4# |
| 21881 | 1"        | 1-1/2" | 1#     |
| 21882 | 1-1/4"    | 1-1/2" | 1-1/2# |
| 21883 | 1-1/2"    | 1-1/2" | 1-3/4# |
| 21884 | 1-3/4"    | 2"     | 2#     |
| 21886 | 1-1/2"    | 2"     | 2#     |
| 21887 | 2"        | 2"     | 2-1/4# |
| 21888 | 3"        | 3"     | 3-1/2# |
| 21889 | 2-1/2"    | 2-1/2" | 3-1/4# |



## Rudder Stuffing Box Oval Base – with Packing

| Part# | Shaft Size | Barrel Length | Base Size       | Finish | Wgt.   |
|-------|------------|---------------|-----------------|--------|--------|
| 22026 | 1"         | 1-15/16"      | 4-1/2" X 2-1/4" | Mach.  | 2-1/2# |



## Rudder or Shaft Bearing Stuffing Box

(Available in Sizes 1" thru 3")

| Part# | Shaft Size | Barrel Length | Flange          | Finish | Wgt.    |
|-------|------------|---------------|-----------------|--------|---------|
| 22003 | 1"         | 2-1/4"        | 3-1/2" X 3-1/2" | Mach.  | 2-1/2#  |
| 22005 | 1-1/4"     | 2-11/16"      | 3-3/4" X 4"     | Mach.  | 3-3/4#  |
| 22007 | 1-1/2"     | 3-3/4"        | 4" X 4"         | Mach.  | 4-3/4#  |
| 22013 | 2"         | 3-7/8"        | 5" X 5"         | Mach.  | 8#      |
| 22014 | 2-1/4"     | 3-5/16"       | 6" X 6"         | Mach.  | 9#      |
| 22015 | 2-7/8"     | 5"            | 6-1/4" X 6-1/4" | Mach.  | 12-1/4# |



## Flush Style External Mount Rudder Stuffing Box with Back-Up Plate and Packing

| Part# | Shaft Size | Base            | OA Height | Wgt.   |
|-------|------------|-----------------|-----------|--------|
| 22125 | 1-1/4"     | 5-1/4" X 5-1/4" | 6-1/2"    | 8#     |
| 22213 | 1-1/2"     | 5-1/4" X 5-1/4" | 6-1/2"    | 7-3/4# |
| 22215 | 2"         | 7" X 7"         | 8-1/2"    | 14#    |
| 22216 | 1-3/4"     | 5-1/4" X 5-1/4" | 6"        | 9-3/4# |
| 22219 | 1-1/4"     | 4" X 4"         | 4-3/4"    | 7-1/2# |
| 22220 | 1-1/2"     | 4-3/4" X 4-3/4" | 6"        | 9#     |



## Recess Mount — Short Shank Rudder Stuffing Box with Back-Up Plate and Packing

| Part# | Shaft Size | OA Length | Base Size       | Flange Thickn. | Finish | Wgt.    |
|-------|------------|-----------|-----------------|----------------|--------|---------|
| 22113 | 1-1/8"     | 4-5/8"    | 3-1/2" X 3-1/2" | 3/8"           | Mach.  | 5-1/4#  |
| 22194 | 1-1/4"     | 4-3/4"    | 3-1/2" X 3-1/2" | 3/8"           | Mach.  | 5-3/4#  |
| 22114 | 1-1/4"     | 4-3/4"    | 4-1/2" X 4-1/2" | 3/8"           | Mach.  | 6-1/4#  |
| 22196 | 1-1/4"     | 5-1/2"    | 4-1/2" X 4-1/2" | 1/2"           | Mach.  | 8-1/4#  |
| 22197 | 2-1/2"     | 6-1/2"    | 5-1/4" X 5-1/4" | 1/2"           | Mach.  | 13-3/4# |
| 22198 | 2"         | 6-1/2"    | 5-1/4" X 5-1/4" | 1/2"           | Mach.  | 11-3/4# |
| 22199 | 1-1/2"     | 5-1/2"    | 4-1/2" X 4-1/2" | 1/2"           | Mach.  | 8-1/4#  |
| 22200 | 2"         | 6-1/4"    | 6-1/4" X 6-1/4" | 9/16"          | Mach.  | 15#     |



## Flush Mount Dead Rise Rudder Stuffing Box with Back-Up Plate



(Other Sizes and Angles Available)

| Part# | Shaft Size | Base Size       | OA Height | Angle   | Finish | Wgt.    |
|-------|------------|-----------------|-----------|---------|--------|---------|
| 22126 | 1-1/4"     | 5" X 5"         | 5-7/8"    | 8°      | Mach.  | 7#      |
| 22128 | 1-3/4"     | 5-3/4" X 5-3/4" | 7-1/4"    | 14°     | Mach.  | 10-3/4# |
| 22130 | 1-1/4"     | 5-1/4" X 5-1/4" | 6-1/4"    | 10°     | Mach.  | 7#      |
| 22131 | 1-1/4"     | 5-1/4" X 5-1/4" | 6-1/2"    | 14°     | Mach.  | 8-1/4#  |
| 22132 | 1-1/4"     | 5-1/4" X 5-1/4" | 6-1/4"    | 15°     | Mach.  | 7#      |
| 22134 | 1-1/4"     | 5-1/4" X 5-1/4" | 6-1/2"    | 23°     | Mach.  | 7-3/4#  |
| 22137 | 1-1/2"     | 5-1/4" X 5-1/4" | 6-1/2"    | 18°     | Mach.  | 7-3/4#  |
| 22140 | 1-1/4"     | 5-1/4" X 5-1/4" | 7"        | 18°     | Mach.  | 7-3/4#  |
| 22141 | 1-1/4"     | 5-1/4" X 5-1/4" | 6-1/2"    | 22°     | Mach.  | 7-3/4#  |
| 22142 | 1-1/4"     | 5-1/4" X 5-1/4" | 6-1/2"    | 20°     | Mach.  | 7-3/4#  |
| 22143 | 1-1/2"     | 6-1/4" X 6-1/4" | 6-1/4"    | 14-1/2° | Mach.  | 12#     |
| 22144 | 1-1/4"     | 5-1/4" X 5-1/4" | 6-1/4"    | 16°     | Mach.  | 7-1/4#  |
| 22145 | 1-3/4"     | 5-1/4" X 5-1/4" | 6-1/4"    | 17-1/2° | Mach.  | 8#      |
| 22146 | 2"         | 7-1/4" X 7-1/4" | 7-1/4"    | 17°24'  | Mach.  | 15-1/2# |
| 22148 | 2-1/2"     | 7-1/4" X 7-1/4" | 7-1/4"    | 17°24'  | Mach.  | 16#     |



## Dead Rise Rudder Stuffing Box Recess Mount with Back-Up Plate

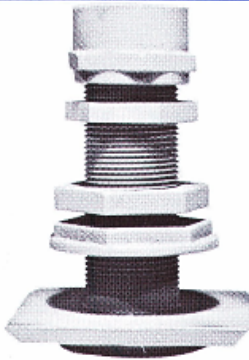
(Available in Other Sizes)

| Part# | Shaft Size | Base            | OA Height | Angle  | Finish | Wgt. |
|-------|------------|-----------------|-----------|--------|--------|------|
| 22135 | 1-1/4"     | 5" x 5"         | 7-3/4"    | 12°    | Mach.  | 9#   |
| 22136 | 1-1/4"     | 4-3/8" x 4-3/8" | 5-1/2"    | 10°30' | Mach.  | 8.1# |



## Recess Mount "O" Ring Rudder Stuffing Box with Double Nut and Zerk Fitting

| Part# | Shaft Size | OA Length | Flange          | Finish | Wgt.   |
|-------|------------|-----------|-----------------|--------|--------|
| 22103 | 1"         | 5-1/2"    | 3-1/2" X 3-1/2" | Mach.  | 3-1/2# |
| 22105 | 1-1/4"     | 5-1/2"    | 4" X 4"         | Mach.  | 4-3/4# |



## Rudder Stuffing Box Four Nut Type with Packing

(Available with Flush or Recess Base)

| Part# | Shaft Size | OA Length | Flange          | Finish | Wgt.   |
|-------|------------|-----------|-----------------|--------|--------|
| 22112 | 1"         | 4-3/4"    | 3-1/2" X 3-1/2" | Mach.  | 3-3/4# |

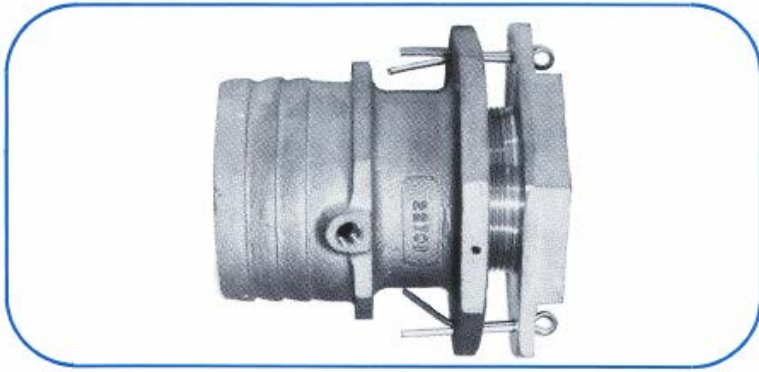


## Shaft Stuffing Box with Packing

(A Size-free Box Designed for High  
Performance that allows Shaft Contact with  
Packing Seal Only)

| Part# | Shaft Size | Hose Size | OA Length | Finish | Wgt.   |
|-------|------------|-----------|-----------|--------|--------|
| 22970 | 1"         | 1-3/4"    | 3"        | Mach.  | 1#     |
| 22972 | 1-1/2"     | 2-1/2"    | 4-3/4"    | Mach.  | 3-1/2# |
| 22975 | 2"         | 3"        | 5-1/2"    | Mach.  | 5-1/4# |
| 22976 | 1-1/2"     | 3-1/2"    | 4-3/4"    | Mach.  | 7-1/2# |
| 22977 | 1-3/4"     | 3-1/2"    | 4-3/4"    | Mach.  | 7-1/4# |
| 22978 | 2"         | 3-1/2"    | 4-3/4"    | Mach.  | 7-1/4# |
| 22979 | 2-1/2"     | 4"        | 5-1/4"    | Mach.  | 9#     |
| 22980 | 2-3/4"     | 4"        | 5-9/16"   | Mach.  | 11#    |
| 22964 | 1-1/4"     | 2-5/8"    | 3-1/2"    | Mach.  | 4-3/4# |





## Water Cooled Shaft Stuffing Box — with Packing

| Part# | Shaft Size | Hose Size | OA Length | Finish | Wgt.   |
|-------|------------|-----------|-----------|--------|--------|
| 22705 | 1-1/4"     | 2-5/8"    | 4-7/8"    | Mach.  | 4-1/2# |
| 22707 | 1-3/4"     | 3-1/2"    | 5"        | Mach.  | 9-1/4# |
| 22708 | 2"         | 3-1/2"    | 5"        | Mach.  | 9-1/2# |
| 22709 | 2-1/2"     | 4"        | 5-1/2"    | Mach.  | 13#    |



## Shaft Log Stuffing Box

| Part# | Shaft Size | Hose Size | Hose Barb Length | Finish | Wgt.   |
|-------|------------|-----------|------------------|--------|--------|
| 22038 | 3/4"       | 1-1/2"    | 1-3/8"           | Mach.  | 1-1/4# |
| 22039 | 3/4"       | 1-3/4"    | 1-1/2"           | Mach.  | 1-1/2# |
| 22040 | 1"         | 1-1/2"    | 1-1/4"           | Mach.  | 1-1/2# |
| 22041 | 1"         | 1-3/4"    | 1-1/4"           | Mach.  | 1-1/2# |
| 22042 | 1"         | 1-3/4"    | 1-7/8"           | Mach.  | 2-1/2# |
| 22044 | 1-1/4"     | 1-3/4"    | 1-1/4"           | Mach.  | 1-3/4# |
| 22045 | 1-1/4"     | 2"        | 1-1/2"           | Mach.  | 2-1/2# |



## Shaft Log Stuffing Box

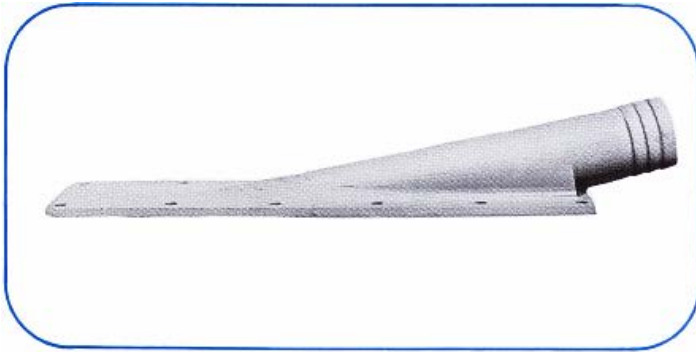
| Part# | Shaft Size | Hose Size | Hose Barb Length | Finish | Wgt.   |
|-------|------------|-----------|------------------|--------|--------|
| 22047 | 1-1/4"     | 2"        | 2-1/2"           | Mach.  | 2-1/2# |
| 22048 | 1-1/2"     | 2-5/8"    | 2-1/2"           | Mach.  | 4#     |
| 22056 | 1-3/4"     | 2-1/2"    | 3"               | Mach.  | 4-1/2# |



## Shaft Log Stuffing Box with Hose Barb and Packing

(Tapped for Shaft Cooling Use on Request)

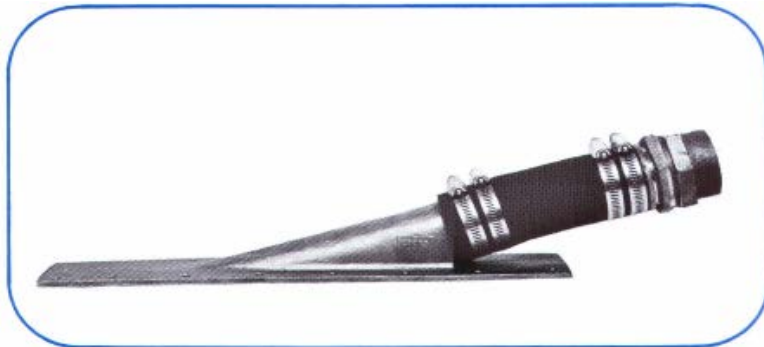
| Part# | Shaft Size | OA Length | Hose Size | Finish | Wgt.    |
|-------|------------|-----------|-----------|--------|---------|
| 22600 | 1/2"       | 3-5/8"    | 1"        | Mach.  | 1-1/2#  |
| 22601 | 1"         | 5"        | 1-3/4"    | Mach.  | 2-1/2#  |
| 22605 | 1- 1/4"    | 5"        | 2"        | Mach.  | 3- 1/4# |
| 22606 | 1-3/8"     | 4-3/4"    | 2"        | Mach.  | 3-1/2#  |
| 22608 | 1-1/2"     | 5-1/2"    | 2-1/2"    | Mach.  | 4#      |
| 22609 | 1-3/4"     | 5-3/4"    | 2-1/2"    | Mach.  | 4-1/2#  |
| 22611 | 2"         | 5-3/4"    | 3"        | Mach.  | 5#      |
| 22612 | 2-1/4"     | 6"        | 3"        | Mach.  | 6#      |



## Standard Shaft Log with Hose Barb

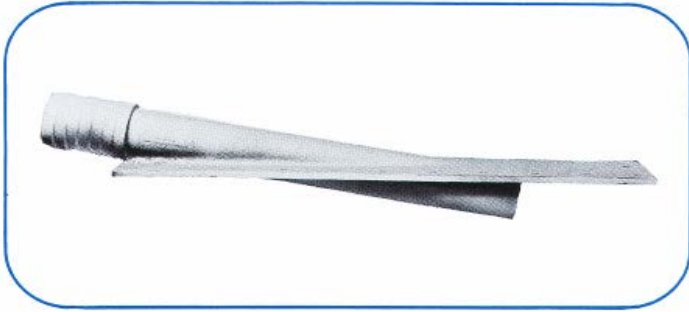
(Other Sizes and Angles Available)

| Part#    | Shaft Size | Angle | Base Width | Base Length | Finish | Wgt.   |
|----------|------------|-------|------------|-------------|--------|--------|
| 2301-1   | 1"         | 45°   | 3-1/8"     | 7-1/2"      | Mach.  | 1-3/4# |
| 23010    | 1"         | 17°   | 3"         | 12-1/4"     | Mach.  | 3-1/2# |
| 2301-2   | 1"         | 30°   | 3-1/8"     | 8-7/8"      | Mach.  | 1-3/4# |
| 23003    | 1"         | 13°   | 3-1/8"     | 11-11/16"   | Mach.  | 3#     |
| 23023    | 1-1/4"     | 18°   | 3-5/8"     | 15-1/4"     | Mach.  | 3-1/2# |
| 23024    | 1-1/4"     | 15°   | 3-3/4"     | 11-1/4"     | Mach.  | 3-1/4# |
| 23021    | 1-1/4"     | 12°   | 3-3/4"     | 11-1/4"     | Mach.  | 3-1/4# |
| 2301-4&5 | 1-1/4"     | 12°   | 3-3/8"     | 16-1/2"     | Mach.  | 5-1/4# |
| 2301-6   | 1-1/2"     | 11°   | 3-3/8"     | 21"         | Mach.  | 5-3/4# |
| 2301-7   | 1-3/8"     | 7°    | 3-3/4"     | 27-1/2"     | Mach.  | 10#    |



## Standard Shaft Log Assembly, Stuff Box and Packing

| Part#  | Shaft Size | Angle | Base Width | Base Length | Finish | Wgt.    |
|--------|------------|-------|------------|-------------|--------|---------|
| 2300-1 | 1"         | 17°   | 3-1/8"     | 7-1/2"      | Mach.  | 4-1/2#  |
| 23001  | 1"         | 17°   | 3"         | 12-1/4"     | Mach.  | 6-1/2#  |
| 2300-2 | 1"         | 15°   | 3-1/8"     | 8-7/8"      | Mach.  | 4-1/2#  |
| 2300-3 | 1"         | 13°   | 3-1/8"     | 11-11/16"   | Mach.  | 6#      |
| 23114  | 1-1/4"     | 18°   | 3-5/8"     | 15-1/4"     | Mach.  | 7-1/4#  |
| 23124  | 1-1/4"     | 15°   | 3-3/4"     | 11-1/4"     | Mach.  | 7#      |
| 23121  | 1-1/4"     | 12°   | 3-3/4"     | 11-1/4"     | Mach.  | 7#      |
| 2300-5 | 1-1/4"     | 12°   | 3-3/8"     | 16-1/2"     | Mach.  |         |
| 2300-6 | 1-1/2"     | 11°   | 3-3/8"     | 21"         | Mach.  |         |
| 23119  | 1-3/8"     | 7°    | 3-3/4"     | 27-1/2"     | Mach.  | 13-3/4# |



## Shaft Log For Bearing Installation

| Part# | Shaft Size | Angle | Base Width | Base Length | Finish | Wgt. |
|-------|------------|-------|------------|-------------|--------|------|
| 23036 | 1-3/4"     | 15°   | 6-1/2"     | 26"         | Mach.  | 29#  |



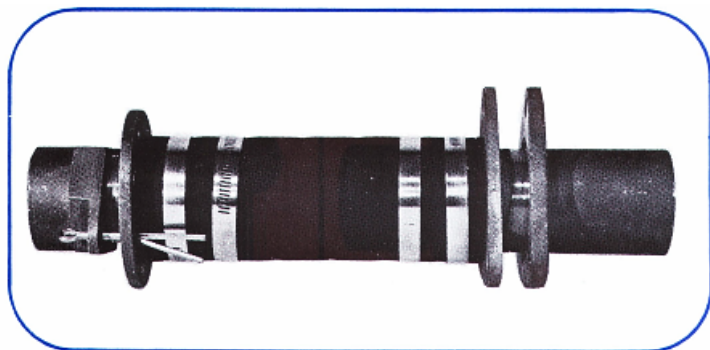
## Shaft Log Assembly with Bearing, Water Cooler Stuff Box, Hose, Clamps and Packing

| Part# | Shaft Size | Angle | Base Width | OA Length | Finish | Wgt. |
|-------|------------|-------|------------|-----------|--------|------|
| 23136 | 1-3/4"     | 15°   | 6-1/2"     | 36"       | Mach.  | 34#  |



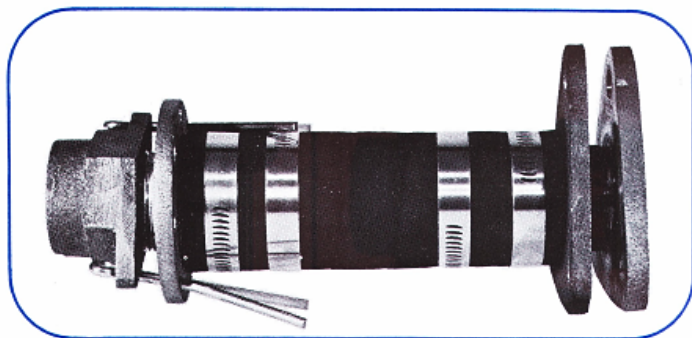
## Tri-Flange Shaft Log Thru Hull Assembly — Double Locknut Type with Packing

| Part# | Shaft Size | Hose Size | Finish | Wgt.   |
|-------|------------|-----------|--------|--------|
| 23511 | 1"         | 1-3/4"    | Mach.  | 4-1/4# |
| 23312 | 1-1/4"     | 1-3/4"    | Mach.  | 4-1/4# |
| 23313 | 1-1/4"     | 2"        | Mach.  | 6-1/4# |
| 23314 | 1-1/2"     | 2"        | Mach.  | 6-1/4# |



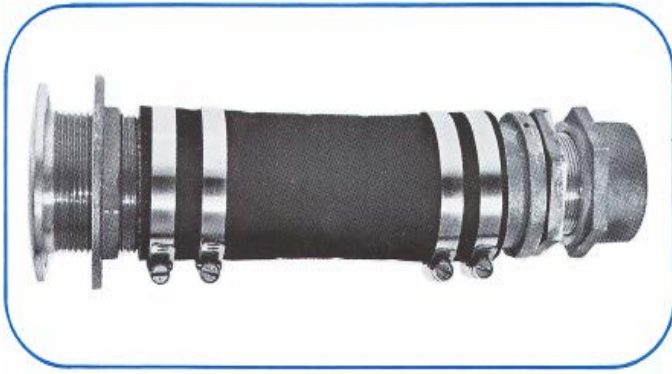
**Tri-Flange Shaft Log  
Thru Hull Assembly —  
Water Cooled  
Bolt Thru Type with  
Back-Up Plate, Shaft  
Bearing and Packing**

| Part# | Shaft Size | Hose Size | Finish | Wgt.   |
|-------|------------|-----------|--------|--------|
| 23330 | 1"         | 1-3/4"    | Mach.  | 5#     |
| 23332 | 1-1/4"     | 2-1/4"    | Mach.  | 6-1/4# |
| 23333 | 1-3/8"     | 2"        | Mach.  | 6-1/2# |
| 23334 | 1-1/2"     | 2-1/2"    | Mach.  | 7#     |
| 23335 | 1-3/4"     | 2-1/2"    | Mach.  | 8-1/2# |
| 23336 | 2"         | 3"        | Mach.  | 9-1/2# |



**Tri-Flange Shaft Log  
Thru Hull Assembly —  
Bolt Thru Type with  
Back-Up Plate and Packing**

| Part# | Shaft Size | Hose Size | Finish | Wgt.   |
|-------|------------|-----------|--------|--------|
| 23501 | 1"         | 1-3/4"    | Mach.  | 5-3/4# |
| 23503 | 1-1/4"     | 2"        | Mach.  | 6#     |
| 23504 | 1-3/8"     | 2"        | Mach.  | 6-1/2# |
| 23505 | 1-1/2"     | 2-1/2"    | Mach.  | 7#     |
| 23506 | 1-3/4"     | 2-1/2"    | Mach.  | 7-1/2# |
| 23507 | 2"         | 3"        | Mach.  | 8-3/4# |
| 23508 | 2-1/4"     | 3"        | Mach.  | 10#    |



## Round Flange/Locknut Type Shaft Log Thru Hull Assembly with Packing

| Part# | Shaft Size | Hose Size | Finish | Wgt.   |
|-------|------------|-----------|--------|--------|
| 23305 | 1-1/4"     | 2"        | Mach.  | 6-1/4# |
| 23307 | 1-1/4"     | 2-1/2"    | Mach.  | 6-1/4# |
| 23312 | 1-1/2"     | 2-1/2"    | Mach.  | 7-1/2# |
| 23306 | 1"         | 1-3/4"    | Mach.  |        |



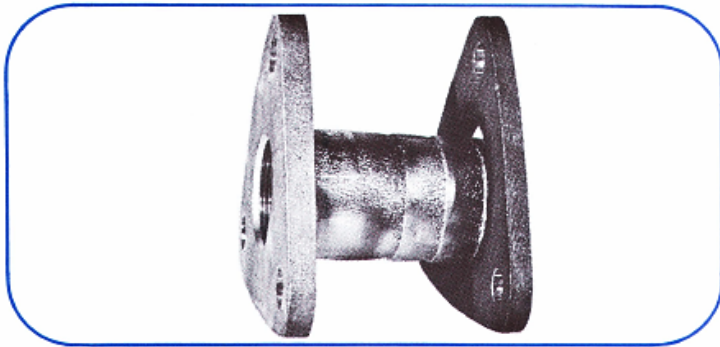
## Round Face Shaft Log Thru Hull with Flanged Locknut

| Part# | Shaft Size | Hose Size | Finish | Wgt.   |
|-------|------------|-----------|--------|--------|
| 23404 | 1"         | 1-3/4"    | Mach.  | 2-1/2# |
| 23405 | 1-1/4"     | 2"        | Mach.  | 3#     |
| 23406 | 1-1/2"     | 2-1/2"    | Mach.  | 3#     |



## Tri-Flange Shaft Log Thru Hull with Lock and Flange Nuts

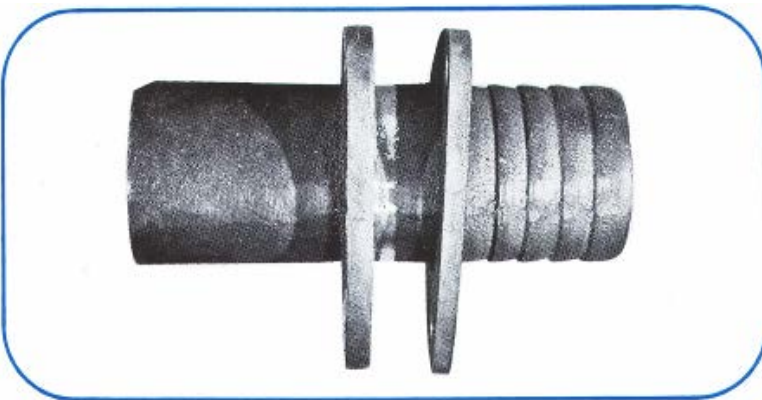
| Part# | Shaft Size | Hose Size | Finish | Wgt.   |
|-------|------------|-----------|--------|--------|
| 23414 | 1-1/4"     | 1-3/4"    | Mach.  | 1-3/4# |
| 23415 | 1-1/4"     | 2"        | Mach.  | 3#     |
| 23416 | 1-1/4"     | 2-1/4"    | Mach.  | 4#     |



## Tri-Flange — Bolt Type Shaft Log Thru Hull with Back-Up Plate

(Other Sizes Available)

| Part# | Shaft Size | Hose Size | Finish | Wgt.   |
|-------|------------|-----------|--------|--------|
| 23601 | 1"         | 1-3/4"    | Mach.  | 2-1/2# |
| 23605 | 1-7/8"     | 2-1/4"    | Mach.  | 2-1/2# |
| 23606 | 1-3/8"     | 2-1/4"    | Mach.  | 2-1/2# |
| 23607 | 1-1/2"     | 2-1/2"    | Mach.  | 3-1/4# |
| 23609 | 1-3/4"     | 2-3/4"    | Mach.  | 3-1/4# |
| 23611 | 2"         | 3"        | Mach.  | 4#     |
| 23618 | 2-1/4"     | 3"        | Mach.  | 4#     |



## Tri-Flange — Bolt Type Shaft Log Thru Hull with Back-Up Plate for Bearing Installation

(Other Sizes Available)

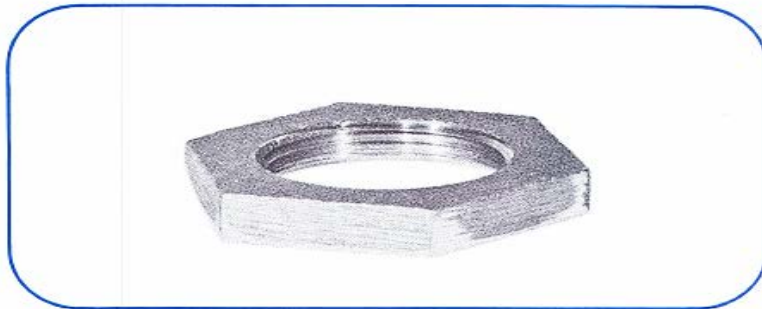
| Part# | Shaft Size | Hose Size | Finish | Wgt.   |
|-------|------------|-----------|--------|--------|
| 23611 | 1-1/8"     | 1-3/4"    | Mach.  | 5-1/2# |
| 23612 | 1-1/4"     | 2-1/4"    | Mach.  | 5-1/2# |
| 23608 | 1-1/2"     | 2-1/2"    | Mach.  | 6-1/4# |



## Flanged Lock Nut

Used on Thru Hulls and Intake Scoops

| Part# | Size   | Finish  | Wgt.   |
|-------|--------|---------|--------|
| 24002 | 1/2"   | Burnish | 3 oz.  |
| 24004 | 1"     | Burnish | 1/4#   |
| 24005 | 1-1/4" | Burnish | 6 oz.  |
| 24006 | 1-3/4" | Burnish | 1/2#   |
| 24007 | 2"     | Burnish | 1/2#   |
| 24008 | 2-1/2" | Burnish | 10 oz. |
| 24009 | 3"     | Burnish | 1-1/4# |



## Jam Nuts

Used on Stuffing Boxes

| Part# | Size   | Finish  | Wgt.   |
|-------|--------|---------|--------|
| 24060 | 3/4"   | Burnish | 3 oz.  |
| 2277  | 1"     | Burnish | 3 oz.  |
| 2277  | 1-1/2" | Burnish | 7 oz.  |
| 15701 | 1-3/4" | Burnish | 1/2#   |
| 2277  | 2"     | Burnish | 1/2#   |
| 2277  | 2-1/2" | Burnish | 10 oz. |
| 2277  | 3"     | Burnish | 1#     |



## Adjustable Packing Nut Wrench

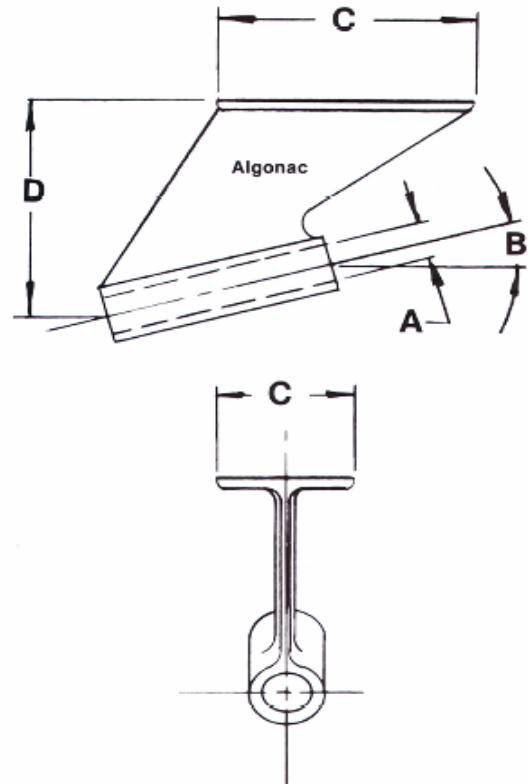
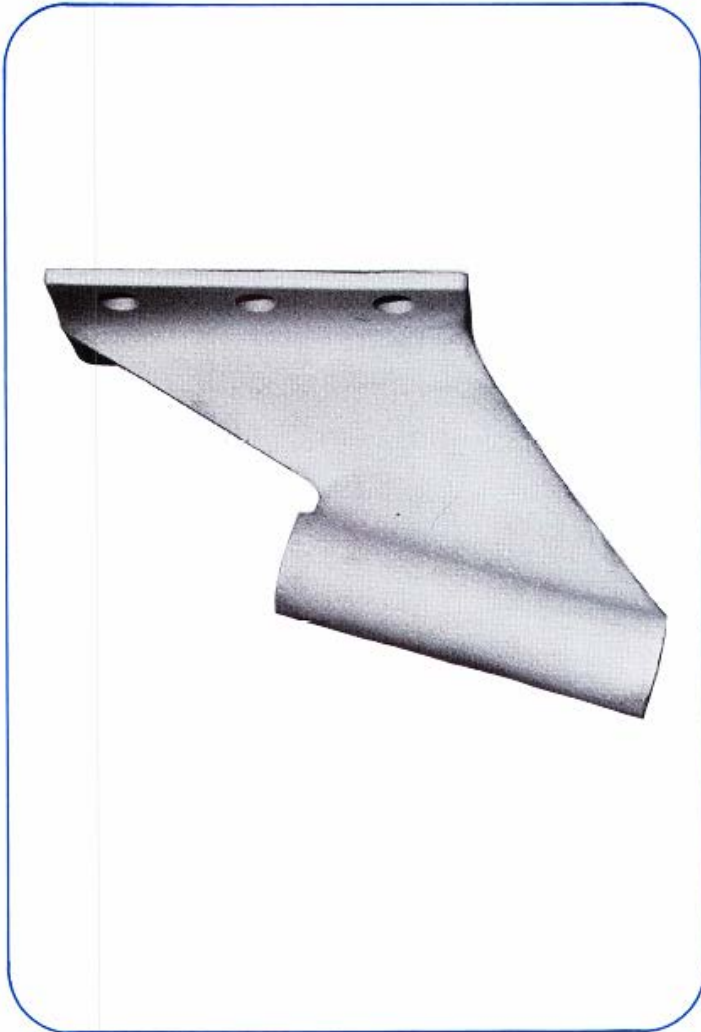
Mang. Bronze

| Part# | Adjustment Range |
|-------|------------------|
| 24150 | 1-3/4" – 3"      |
| 24151 | 3" – 4-3/4"      |



# Hi-Speed Struts with Rubber Bearing

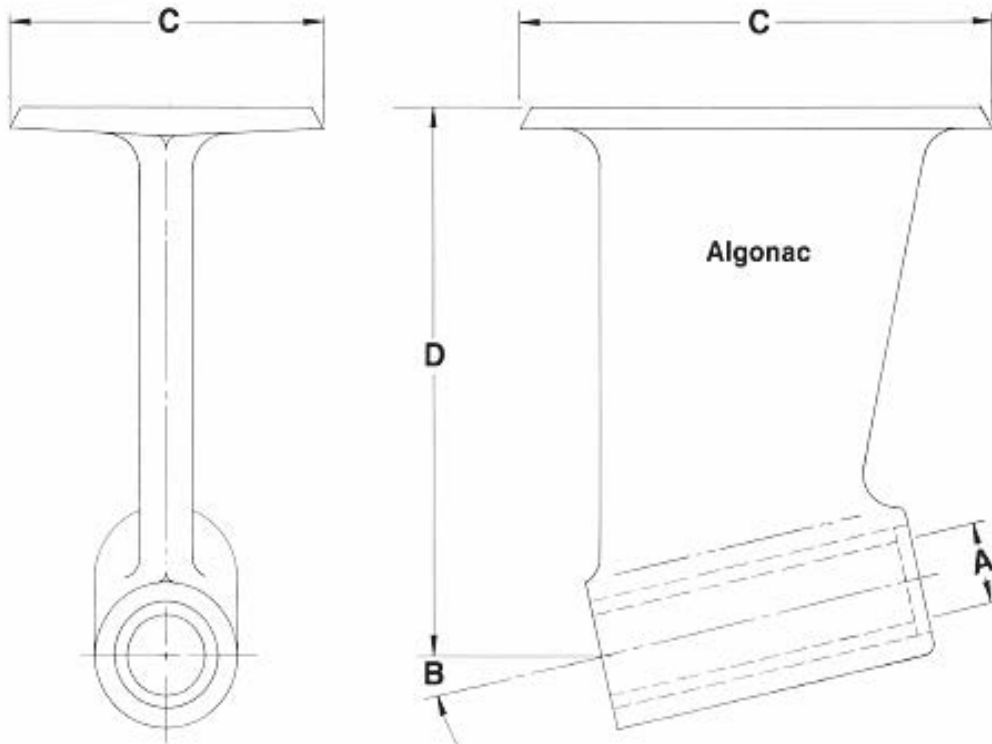
(Backing Plates Available Upon Request)



| Part# | A<br>Shaft Size | B<br>Degree of Angle | C<br>Base Size   | D<br>Drop Overall | E<br>Drop Aft. | G<br>Drop Forward | Wgt.    |
|-------|-----------------|----------------------|------------------|-------------------|----------------|-------------------|---------|
| 25102 | 1"              | 15                   | 6" x 9-1/2"      | 8-1/2"            | 8"             | 6"                | 11-1/2# |
| 25106 | 1"              | 15                   | 5" x 9"          | 9-1/4"            | 8"             | 6-1/2"            | 11-1/2# |
| 25110 | 1"              | 16                   | 4" x 7-1/2"      | 7-3/8"            | 6-3/4"         | 4-3/4"            | 9-3/4#  |
| 25107 | 1-1/4"          | 12                   | 4-1/4" x 9-3/4"  | 9-1/8"            | 8"             | 7"                | 11-1/2# |
| 25105 | 1-1/4"          | 16                   | 4-1/2" x 9-7/8"  | 7-3/4"            | 6-7/8"         | 5-1/2"            | 10#     |
| C-790 | 1-1/4"          | 17                   | 3-1/2" x 9"      | 7-1/8"            | 6-3/8"         | 4-3/4"            | 6#      |
| 75843 | 1"              | 17 15                | 6-1/4" x 10"     | 6-5/16"           | 5-5/16"        | 4-1/2"            | 8-1/2#  |
| C-725 | 1"              | 16                   | 3-1/2" x 10 5/8" | 8"                | 6-5/8"         | 4-1/4"            | 7-3/4"  |
| C-757 | 1"              | 15                   | 3-1/2" x 9"      | 6-5/8"            | 6-1/16"        | 4"                | 6"      |



# Standard Struts





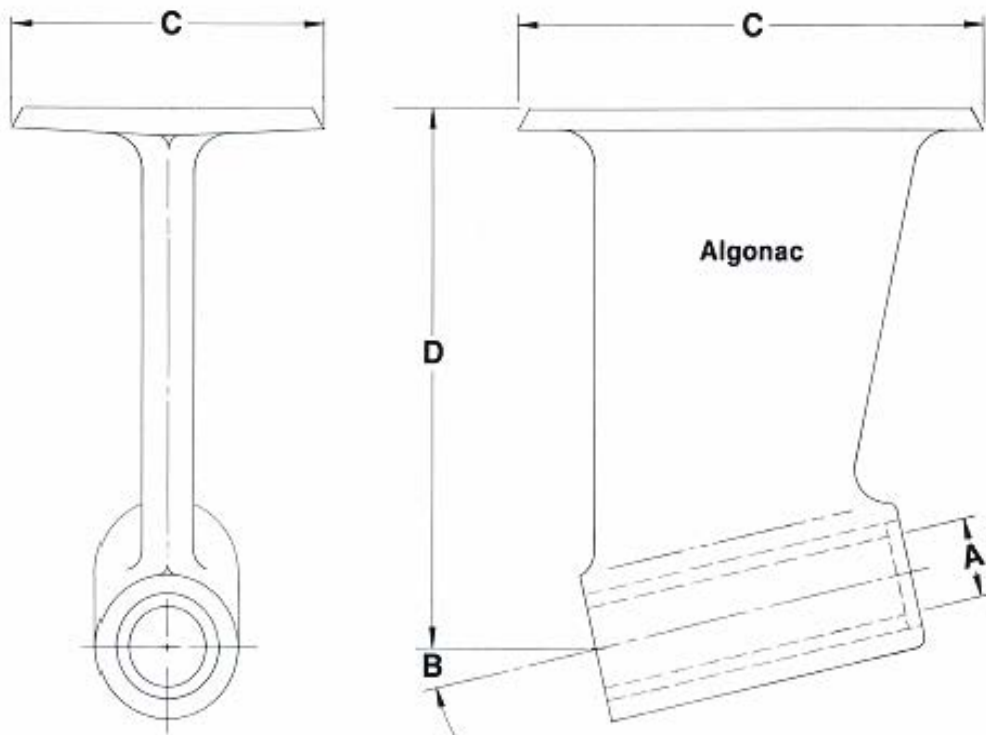
# Standard Struts with Rubber Bearing

(Backing Plates Available Upon Request)

| Part#   | A<br>Shaft Size | B<br>Degree of<br>Angle | C<br>Base Size   | D<br>Drop Overall | E<br>Drop Aft. | G<br>Drop Forward | Wgt.    |
|---------|-----------------|-------------------------|------------------|-------------------|----------------|-------------------|---------|
| 45073   | 1-1/4"          | 12°                     | 6" x 6"          | 8-3/4"            | 7-5/8"         | 6-5/8"            | 10#     |
| 42853   | 1-1/4"          | 18°15'                  | 6" x 6"          | 10-1/4"           | 9-1/4"         | 8"                | 13-1/2# |
| 25734   | 1-1/4"          | 12°45'                  | 9-1/2" x 8-1/8"  | 10"               | 9-1/8"         | 7-1/2"            | 22-1/4# |
| 70973   | 1-1/4"          | 12°15'                  | 5" x 6"          | 10-1/2"           | 8-1/2"         | 8-1/64"           | 10#     |
| 25344   | 1-1/2"          | 16°25'                  | 7" x 10"         | 13-1/2"           | 11"            | 9"                | 26#     |
| 25345   | 2"              | 20°                     | 8" x 11"         | 17"               | 14-1/2"        | 12-3/8"           | 43#     |
| 25346   | 1-3/4"          | 15°                     | 7" x 10"         | 15-3/4"           | 13-3/8"        | 11-5/8"           | 34#     |
| 74563   | 1"              | 10°                     | 3-3/4" x 6"      | 8-5/8"            | 7-3/4"         | 7"                | 6#      |
| 25600   | 1"              | 13°                     | 5" x 6"          | 8-1/4"            | 7-1/2"         | 6"                | 10#     |
| 76344   | 1"              | 17°                     | 4" x 6"          | 9-1/8"            | 8-1/4"         | 6-1/2"            | 8-1/2#  |
| 56013   | 1"              | 18°                     | 6-1/4" x 6-3/4"  | 7-3/4"            | 7"             | 5-1/4"            | 8#      |
| 75853   | 1"              | 16°                     | 3-3/4" x 5-5/8"  | 7-1/2"            | 6-3/4"         | 5-1/4"            | 6#      |
| VD-27   | 1"              | 16°                     | 5-1/4" x 8-1/4"  | 9-1/4"            | 8-1/4"         | 7"                | 12#     |
| 6557    | 1"              | 15°                     | 6-1/4" x 6-1/4"  | 10"               | 9"             | 7-1/2"            | 16#     |
| 74813   | 1"              | 20°                     | 6" x 6-1/4"      | 8"                | 7-1/2"         | 5-5/8"            | 7#      |
| 2500-6  | 1-1/4"          | 45°                     | 5" x 6"          | 7"                | 6-1/2"         | 4-3/4"            | 6#      |
| 2500-8  | 1-1/4"          | 15°                     | 3-5/8" x 5-1/4"  | 6-3/4"            | 6"             | 4-1/2"            | 5#      |
| 2500-2  | 1-1/4"          | 17°30'                  | 6" x 6-1/2"      | 7"                | 6-3/8"         | 4-1/4"            | 7#      |
| 2500-16 | 1-1/4"          | 20°                     | 4-5/8" x 5-1/2"  | 6-3/4"            | 6-1/4"         | 4-1/8"            | 6#      |
| 25008   | 1-1/4"          | 16°                     | 5-1/4" x 8-1/2"  | 8-3/4"            | 7-3/4"         | 6-1/4"            | 10-1/2# |
| 2500-17 | 1"              | 13°                     | 6" x 6"          | 8-1/2"            | 7-3/4"         | 6-1/8"            | 11-1/2# |
| 25125   | 1-1/2"          | 26°                     | 6-3/4" x 9-5/8"  | 15-1/2"           | 14"            | 12"               | 28-1/2# |
| 62874   | 1-1/2"          | 15°                     | 6" x 7-1/8"      | 12"               | 10-5/8"        | 9-1/8"            | 19#     |
| 2500-3  | 1-3/4"          | 11°                     | 6" x 6"          | 9-3/8"            | 8-1/4"         | 7-1/4"            | 11#     |
| 25166   | 1-1/4"          | 14°                     | 5-3/4" x 8-1/8"  | 11"               | 10-1/4"        | 8"                | 18#     |
| 25611   | 1-1/4"          | 15°                     | 5" x 7"          | 10-3/4"           | 9-5/8"         | 8-1/2"            | 13#     |
| 25115   | 1-1/4"          | 10°                     | 5" x 10"         | 11-7/8"           | 10-7/8"        | 9-1/2"            | 23-1/2# |
| RB-23-5 | 1-1/4"          | 16°                     | 5" x 8"          | 9-1/2"            | 8-1/2"         | 7"                | 15#     |
| 77113   | 1"              | 16°                     | 6-1/2" x 10-1/4" | 8"                | 7-1/4"         | 6"                | 10-1/4# |
| 75483   | 1"              | 16°30'                  | 4" x 6"          | 8"                | 7"             | 5-5/16"           | 6-1/4#  |



# Tapered Struts





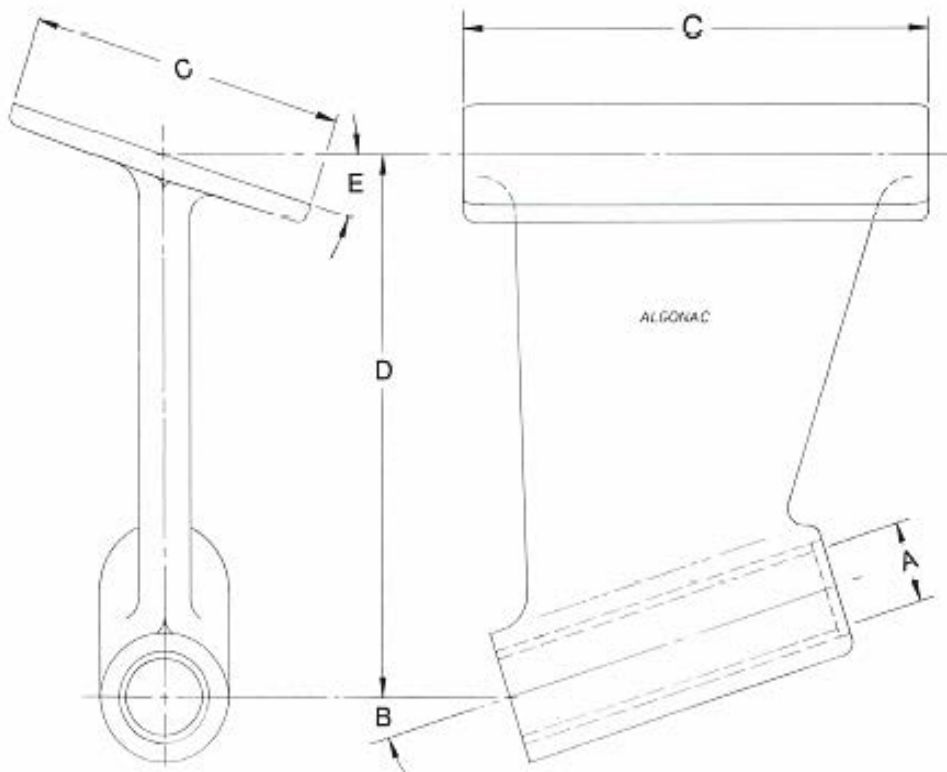
## Tapered Struts with Rubber Bearing

(Backing Plates Available Upon Request)

| Part#   | A<br>Shaft Size | B<br>Degree of Angle | C<br>Base Size | D<br>Drop Overall | E<br>Drop Aft. | F<br>Dead Rise | G<br>Drop Forward | Wgt. |
|---------|-----------------|----------------------|----------------|-------------------|----------------|----------------|-------------------|------|
| 25537   | 1-3/4"          | 11 °30'              |                |                   |                |                |                   |      |
| 2500-26 | 3/4"            | 17                   |                |                   |                |                |                   |      |
| 69913   | 3/4"            | 18                   |                |                   |                |                |                   |      |
| 68773   | 1"              | 16                   |                |                   |                |                |                   |      |
| 71073   | 1"              | 14                   |                |                   |                |                |                   |      |
| 74333   | 1"              | 19                   |                |                   |                |                |                   |      |
| 74753   | 1"              | 14 °30'              |                |                   |                |                |                   |      |
| 74593   | 1"              | 18                   |                |                   |                |                |                   |      |
| 75173   | 1"              | 17                   |                |                   |                |                |                   |      |
| 77913   | 1"              | 16                   |                |                   |                |                |                   |      |
| C-190   | 1"              | 15                   |                |                   |                |                |                   |      |
| 25019   | 1"              | 14                   |                |                   |                |                |                   |      |
| 25116   | 1-1/4"          | 13                   |                |                   |                |                |                   |      |
| 25109   | 1-1/4"          | 13                   |                |                   |                |                |                   |      |
| 25112   | 1-1/4"          | 14                   |                |                   |                |                |                   |      |
| 25111   | 1-1/4"          | 15                   |                |                   |                |                |                   |      |
| 25120   | 1-1/4"          | 18                   |                |                   |                |                |                   |      |
| 25319   | 1-1/4"          | 14                   |                |                   |                |                |                   |      |
| 1166    | 1-1/4"          | 21                   |                |                   |                |                |                   |      |
| 25118   | 1-1/2"          | 21                   |                |                   |                |                |                   |      |
| 75623   | 1-1/4"          | 13° 40'              |                |                   |                |                |                   |      |
| 76004   | 1-1/4"          | 17                   |                |                   |                |                |                   |      |
| 25986   | 1-1/4"          | 17                   |                |                   |                |                |                   |      |
| C-730   | 1-1/4"          | 18-3/4               |                |                   |                |                |                   |      |
| C-775   | 1-1/4"          | 9-1/2                |                |                   |                |                |                   |      |



## Port and Starboard Deadrise Struts





# Port and Starboard Deadrise Struts with Rubber Bearing

(Backing Plates Available Upon Request)

| Part#   | A<br>Shaft Size | B<br>Degree of<br>Angle | C<br>Base Size  | D<br>Drop<br>Overall | E<br>Drop Aft. | F-Dead Rise | G<br>Drop<br>Forward | Wgt.    |
|---------|-----------------|-------------------------|-----------------|----------------------|----------------|-------------|----------------------|---------|
| 25087   | 1-1/4"          | 13°                     | 6-3/8" x 9"     | 13-1/4"              | 10-3/4"        | 16°         | 9"                   | 32-1/2# |
| 25088   | 1-1/4"          | 13°                     | 6-3/8" x 9"     | 13-1/4"              | 10-3/4"        | 16°         | 9"                   | 32-1/2# |
| 25177   | 1-1/2"          | 12°45'                  | 6-1/4" x 9"     | 15"                  | 10-3/4"        | 15°         | 10-13/64"            | 27#     |
| 25178   | 1-1/2"          | 12°45'                  | 6-1/4" x 9"     | 15"                  | 10-3/4"        | 15°         | 10-13/64"            | 27#     |
| 25167   | 1-1/2"          | 11°                     | 6-1/2" x 9-1/4" | 13"                  | 11"            | 14°         | 9-1/2"               | 20#     |
| 25168   | 1-1/2"          | 11°                     | 6-1/2" x 9-1/4" | 13"                  | 11"            | 14°         | 9-1/2"               | 20#     |
| 76194   | 1-1/2"          | 17°                     | 7" x 7-1/4"     | 12-1/2"              | 11-1/2"        | 4°          | 10-1/4"              | 22-1/2# |
| 76204   | 1-1/2"          | 17°                     | 7" x 7-1/4"     | 12-1/2"              | 11-1/2"        | 4°          | 10-1/4"              | 22-1/2# |
| 17414   | 1-1/2"          | 7°                      | 7" x 7-7/8"     | 14"                  | 13"            | 4°          | 12"                  | 27#     |
| 17424   | 1-1/2"          | 7°                      | 7" x 7-7/8"     | 14"                  | 13"            | 4°          | 12"                  | 27#     |
| 25529   | 1-1/4"          | 15°                     | 5" x 7"         | 10-3/4"              | 9-1/2"         | 14°         | 8"                   | 12-3/4# |
| 25530   | 1-1/4"          | 15°                     | 5" x 7"         | 10-3/4"              | 9-1/2"         | 14°         | 8"                   | 12-3/4# |
| 25206   | 1-1/4"          | 15°                     | 6" x 9"         | 12"                  | 10-3/4"        | 20°         | 8-1/4"               | 21-1/2# |
| 25207   | 1-1/4"          | 15°                     | 6" x 9"         | 12"                  | 10-3/4"        | 20°         | 8-1/4"               | 21-1/2# |
| 25136   | 1"              | 16°                     | 5-1/2" x 9"     | 9-1/4"               | 8"             | 17°         | 6"                   | 12#     |
| 25137   | 1"              | 16°                     | 5-1/2" x 9"     | 9-1/4"               | 8"             | 17°         | 6"                   | 12#     |
| 25077   | 1-1/4"          | 12°                     | 5" x 8-1/2"     | 11-1/4"              | 10"            | 20°         | 8-1/4"               | 17#     |
| 25078   | 1-1/4"          | 12°                     | 5" x 8-1/2"     | 11-1/4"              | 10"            | 20°         | 8-1/4"               | 17#     |
| 25079-P | 1-1/4"          | 14°                     | 5" x 6"         | 10-1/4"              | 9-1/4"         | 8°          | 7-7/8"               | 19#     |
| 25080-S | 1-1/4"          | 14°                     | 5" x 6"         | 10-1/4"              | 9-1/4"         | 8°          | 7-7/8"               | 19#     |
| 25081-P | 1-1/4"          | 13°                     | 5" x 9-3/4"     | 11-1/4"              | 10"            | 18°         | 7-3/4"               | 17#     |
| 25082-S | 1-1/4"          | 13°                     | 5" x 9-3/4"     | 11-1/4"              | 10"            | 18°         | 7-3/4"               | 17#     |
| 25083-P | 1-1/2"          | 11°                     | 9" x 11"        | 16-1/2"              | 15"            | 7°          | 14"                  | 39#     |
| 25084-S | 1-1/2"          | 11°                     | 9" x 11"        | 16-1/2"              | 15"            | 7°          | 14"                  | 39#     |
| 25085-P | 1-1/2"          | 13°                     | 6-3/8" x 9-1/2" |                      | 13"            | 14-1/2°     |                      | 30#     |
| 25086-S | 1-1/2"          | 13°                     | 6-3/8" x 9-1/2" |                      | 13"            | 14-1/2°     |                      | 30#     |



# Port and Starboard Deadrise Struts with Rubber Bearing

Continued

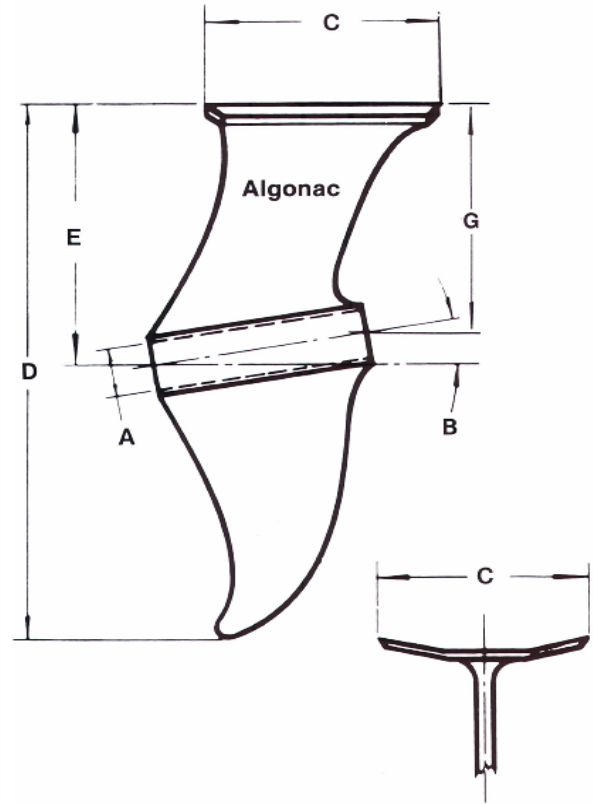
(Backing Plates Available Upon Request)

| Part#   | A<br>Shaft Size | B<br>Degree of<br>Angle | C<br>Base Size  | D<br>Drop Aft. | E-Dead Rise | Wgt.   |
|---------|-----------------|-------------------------|-----------------|----------------|-------------|--------|
| 25097P  | 1-1/2"          | 13°                     | 6-3/8" x 9-1/2" | 10-3/4"        | 18°         | 25.0#  |
| 25098S  | 1-1/4"          | 13°                     | 6-3/8" x 9"     | 10-3/4"        | 18°         | 25.0#  |
| 25123   | 1-1/4"          | 12°                     | 6" x 8"         | 11-1/4"        | 11°         | 20.0#  |
| 25178   | 1-1/4"          | 12°                     | 6" x 8"         | 11-1/4"        | 11°         | 20.0#  |
| 25126P  | 2-1/2"          | 13°15'                  | 12" x 14"       | 18-13/32"      | 17°44'      | 130.0# |
| 25127S  | 2-1/2"          | 13°15'                  | 12" x 14"       | 18-13/32"      | 17°44'      | 130.0# |
| 25140P  | 2"              | 10°                     | 10" x 11-1/4"   | 16-11/32"      | 17°30'      | 82.0#  |
| 25141S  | 2"              | 10°                     | 10" x 11-1/4"   | 16-11/32"      | 17°30'      | 82.0#  |
| 25035   | 1-3/4"          | 10°                     | 8" x 10"        | 13-1/2"        | 14°         | 46.0#  |
| 25036   | 1-3/4"          | 10°                     | 8" x 10"        | 13-1/2"        | 14°         | 46.0#  |
| 25153P  | 1-1/2"          | 11°                     | 7" x 11"        | 12"            | 13°         | 30.0#  |
| 25154S  | 1-1/2"          | 11°                     | 7" x 11"        | 12"            | 13°         | 30.0#  |
| 25157P  | 1-3/8"          | 9°                      | 6" x 9"         | 10-3/4"        | 10°         | 24#    |
| 25158S  | 1-3/8"          | 9°                      | 6" x 9"         | 10-3/4"        | 10°         | 24#    |
| 25159P  | 1-1/4"          | 9°                      | 6" x 9"         | 10-3/4"        | 10°         | 24#    |
| 25160S  | 1-1/4"          | 9°                      | 6" x 9"         | 10-3/4"        | 10°         | 24#    |
| 25161P  | 1-1/4"          | 12°                     | 6-5/8" x 9-5/8" | 9-1/2"         | 6°          | 20#    |
| 25162S  | 1-1/4"          | 12°                     | 6-5/8" x 9-5/8" | 9-1/2"         | 6°          | 20#    |
| 25163P  | 1-1/2"          | 10°                     | 7" x 11"        | 12-5/8"        | 9°          | 38#    |
| 25164S  | 1-1/2"          | 10°                     | 7" x 11"        | 12-5/8"        | 9°          | 38#    |
| 25169P  | 1-1/4"          | 15°                     | 4-7/8" x 76"    | 10-11/16"      | 18°         | 16.5#  |
| 25170S  | 1-1/4"          | 15°                     | 4-7/8" x 76"    | 10-11/16"      | 18°         | 16.5#  |
| 25179P  | 1-1/2"          | 15°                     | 7" x 8"         | 11-5/8"        | 16°         | 21.0#  |
| 25180S  | 1-1/2"          | 15°                     | 7" x 8"         | 11-5/8"        | 16°         | 21.0#  |
| 25083-P | 1-1/2"          | 11°                     | 9" x 11"        | 15"            | 7°          | 39#    |
| 25084-S | 1-1/2"          | 11°                     | 9" x 11"        | 15"            | 7°          | 39#    |
| 25085-P | 1-1/2"          | 13°                     | 6-3/8" x 9-1/2" | 13"            | 14-1/2°     | 30#    |
| 25086-S | 1-1/2"          | 13°                     | 6-3/8" x 9-1/2" | 13"            | 14-1/2°     | 30#    |

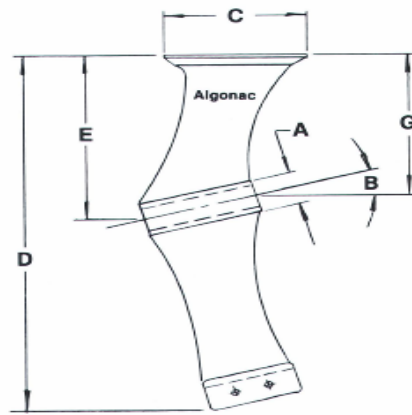
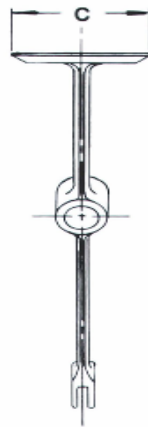


# Fin Strut with Rubber Bearing

(Backing Plates Available Upon Request)



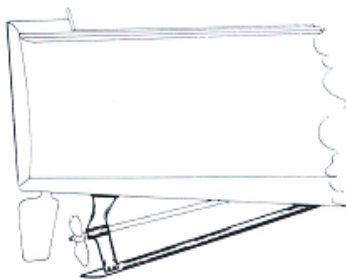
| Part#  | A<br>Shaft Size | B<br>Degree of Angle | C<br>Base Size  | D<br>Drop Overall | E<br>Drop Aft. | G<br>Drop Forward | Wgt.   |
|--------|-----------------|----------------------|-----------------|-------------------|----------------|-------------------|--------|
| 2575-1 | 1"              | 12°                  | 5" x 6"         | 13-1/2"           | 7"             | 5-1/2"            | 12#    |
| 2575-3 | 1-1/4"          | 15°                  | 4-1/2" x 5-1/2" | 12-1/2"           | 6"             | 4-1/4"            | 8#     |
| 2575-2 | 1-1/4"          | 15°                  | 4-1/2" x 5-1/2" | 11-3/8"           | 5-5/8"         | 4-1/16"           | 7#     |
| 2575-9 | 1-1/4"          | 15°                  | 3-5/8" x 5-1/4" | 11-3/4"           | 6"             | 4-1/2"            | 8#     |
| 2575-7 | 1-1/4"          | 17°                  | 5" x 6-1/2"     | 13-1/2"           | 9-5/8"         | 8-3/4"            | 11#    |
| 2575-1 | 1-1/2"          | 15°                  | 6" x 6"         | 14-5/8"           | 7-3/4"         | 6-1/8"            | 12#    |
| 2575-8 | 1-3/4"          | 15°                  | 5" x 6"         | 14-3/4"           | 7-1/8"         | 5-5/8"            | 13#    |
| 57313  | 1"              | 16° 30'              | 4-5/8" x 5-1/2" | 12-1/4"           | 6-5/8"         | 5-1/8"            | 9-1/2# |
| 59973  | 1"              | 17° 30'              | 6" x 6-1/2"     | 12-1/2"           | 6-3/8"         | 4-5/8"            | 9#     |
| 61034  | 1-1/4"          | 17°                  | 6" x 6-1/2"     | 14-1/4"           | 7"             | 5-5/8"            | 12#    |
| 69813  | 1"              | 17°                  | 4-1/2" x 6"     | 14-1/2"           | 7"             | 5-1/8"            | 9#     |



## Skeg Struts with Rubber Bearing

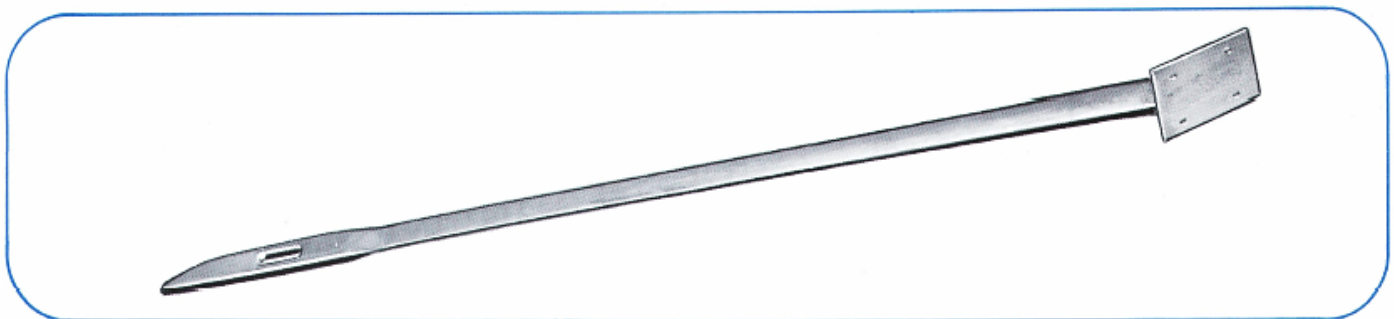
(Backing Plates Available Upon Request)

| Part#  | A<br>Shaft<br>Size | B<br>Degree<br>of<br>Angle | C<br>Base Size  | D<br>Drop Overall | E<br>Drop Aft. | G<br>Drop<br>Forward | Wgt.  |
|--------|--------------------|----------------------------|-----------------|-------------------|----------------|----------------------|-------|
| 2580-1 | 1"                 | 15°                        | 3-5/8" x 5-1/2" | 13"               | 6-1/8"         | 4-5/8"               | 8#    |
| 58934  | 1"                 | 13° 30'                    | 5" x 6"         |                   | 7-9/16"        | 7-15/16"             | 14.3# |
| 58434  | 1-1/4"             | 15° 15'                    | 5" x 6"         |                   | 8-9/64"        | 6-25/32"             | 13#   |



### Installation Illustration

This skag strut and the companion supporting member are designed for maximum protection of propellers, rudders and struts. This rugged combination permits the boat to ride up and over normal obstacles that would ordinarily cause underwater damage. To boat builders, let us quote your needs on this truly remarkable assembly to meet your specifications.



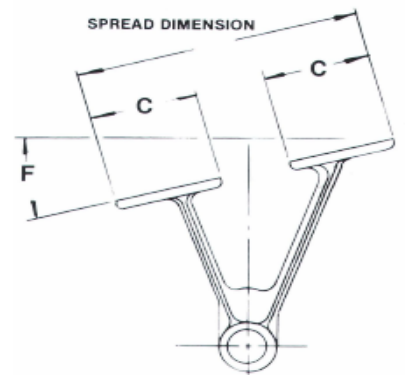
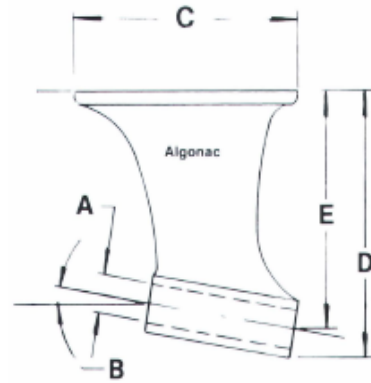
## Skeg Shoe

— Manganese Bronze — (Other Sizes Available)

| Part# | Angle | Base Size       | OA Length | Fasteners    | Finish | Wgt. |
|-------|-------|-----------------|-----------|--------------|--------|------|
| 2581  | 19°   | 3-5/8" X 3-5/8" | 47-1/2"   | 4-1/4" Bolts | Mach.  | 7#   |
| 58954 | 16    | 3-1/2" x 5-3/4" | 71-1/2"   |              | Mach.  | 17#  |

# Port and Starboard Deadrise "V" Struts with Rubber Bearing

(Backing Plates Available Upon Request)

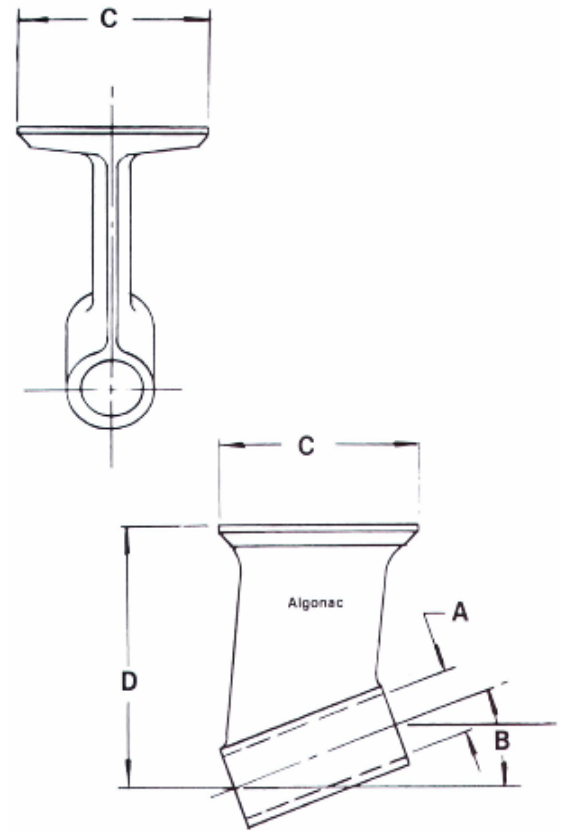


| Part#   | A<br>Shaft Size | B<br>Degree of Angle | C<br>Base Size | D<br>Drop Overall | E<br>Drop Aft. | F<br>Dead Rise | G<br>Forward Drop | Wgt. |
|---------|-----------------|----------------------|----------------|-------------------|----------------|----------------|-------------------|------|
| 25251-P | 1-1/4"          | 7                    | 3" X 10"       | 15"               | 13"            | 8              | 12"               | 33#  |
| 25252-S | 1-1/4"          | 7                    | 3" X 10"       | 15"               | 13"            | 8              | 12"               | 33#  |
| 25253-P | 1-1/4"          | 12                   | 3" X 10"       | 13"               | 11"            | 5              | 10"               | 28#  |
| 25254-S | 1-1/4"          | 12                   | 3" X 10"       | 13"               | 11"            | 5              | 10"               | 28#  |
| 25267-P | 1-3/4"          | 14 30'               | 3-1/4" x 11"   |                   | 15-1/2"        | 14             |                   | 45#  |
| 25268-S | 1-3/4"          | 14 30                | 3-1/4" x 11"   |                   | 15-1/2"        | 14             |                   | 45#  |



# Intermediate Struts with Rubber Bearing

(Backing Plates Available Upon Request)

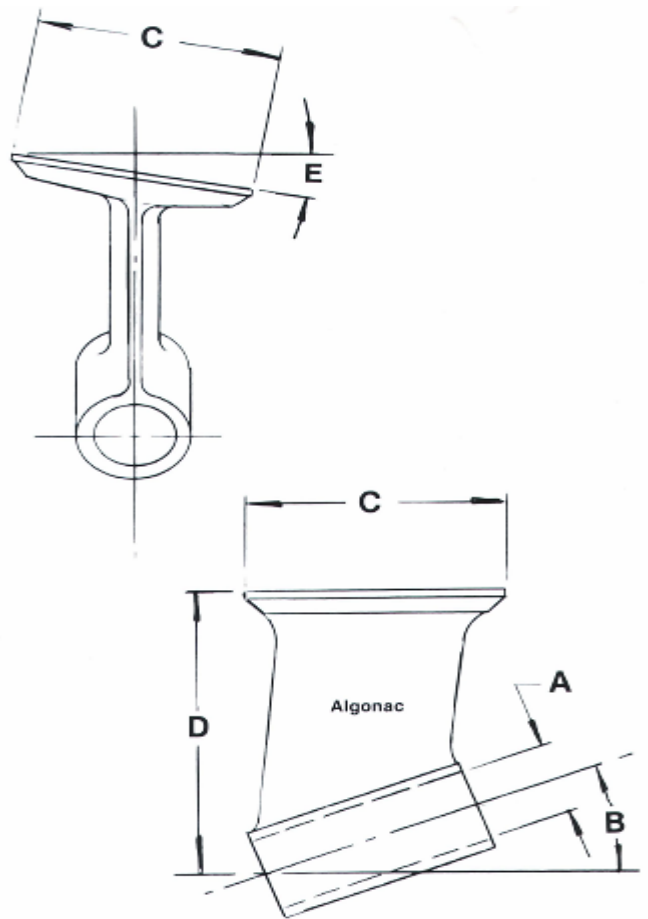


| Part# | A<br>Shaft Size | B<br>Degree of Angle | C<br>Base Size   | D<br>Drop Overall | E<br>Drop Aft. | G<br>Drop Forward | Wgt.    |
|-------|-----------------|----------------------|------------------|-------------------|----------------|-------------------|---------|
| 25856 | 1"              | 30                   | 4-1/4" x 5-3/4"  | 11-1/4"           | 10-1/2"        | 7-13/32"          | 13-1/4# |
| 25700 | 1-1/2"          | 15                   | 6-1/4" x 10-1/4" | 13-1/2"           | 11-7/8"        | 10-1/2"           | 30-1/2# |
| 25128 | 1-3/4"          | 18                   | 7" x 9-7/8"      | 16                | 14-3/8"        | 12"               | 36#     |
| 25858 | 1-1/4"          | 24                   | 4" x 5"          | 12-3/4"           | 11"            | 9-3/4"            | 13-1/2# |

# Port and Starboard Deadrise Intermediate Struts with Rubber Bearing



(Backing Plates Available Upon Request)

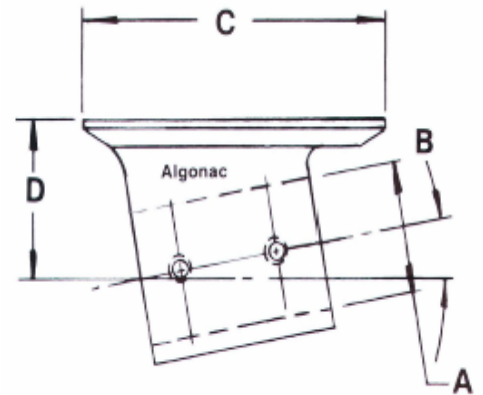
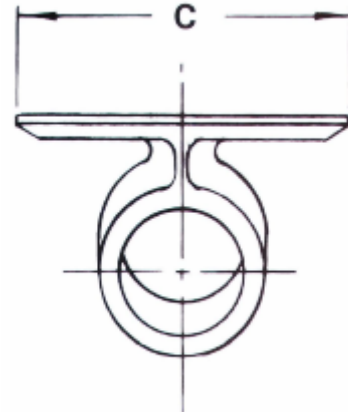


| Part# | A<br>Shaft<br>Size | B<br>Degree<br>Angle | C<br>Base<br>Size | D<br>Overall<br>Drop | E<br>Drop Aft. | F<br>Dead<br>Rise | G<br>Drop<br>Forward | Wgt.    |
|-------|--------------------|----------------------|-------------------|----------------------|----------------|-------------------|----------------------|---------|
| 25417 | 2                  | 10°                  | 7" x 8"           |                      | 6-1/8"         | 17° 30'           | 5-5/8"               | 18#     |
| 25418 | 2"                 | 10°                  | 7" x 8"           |                      | 6-1/8"         | 17° 30'           | 5-5/8"               | 18#     |
| 25421 | 1-1/2"             |                      | 5-3/4" X 5-3/4"   |                      |                |                   |                      | 14-1/2# |
| 25422 | 1-1/2"             |                      | 5-3/4" X 5-3/4"   |                      |                |                   |                      | 14-1/2# |
| 25130 | 1"                 | 15°                  | 5" X 10"          | 8-1/4"               | 7-1/2"         | 14°               | 6-1/4"               | 11-3/4# |
| 25131 | 1"                 | 15°                  | 5" X 10"          | 8-1/4"               | 7-1/2"         | 14°               | 6-1/4"               | 11-3/4# |
| 25006 | 1-1/4"             | 14°                  | 5-1/8" X 9-1/4"   | 9"                   | 8"             | 12°               | 7-5/8"               | 15#     |
| 25007 | 1-1/4"             | 14°                  | 5-1/8" X 9-1/4"   | 9"                   | 8"             | 12°               | 7-5/8"               | 15#     |
| 75704 | 1-3/8"             | 16°                  | 8" X 9"           | 13-1/2"              | 12-1/8"        | 6°                | 10-1/4"              | 28#     |
| 75714 | 1-3/8"             | 16°                  | 8" X 9"           | 13-1/2"              | 12-1/8"        | 6°                | 10-1/4"              | 28#     |
| 76444 | 1-1/2"             | 8°                   | 6-1/8" X 7-1/8"   | 6-5/8"               | 5-1/2"         | 5°                | 4-1/2"               | 12-1/2# |
| 76454 | 1-1/2"             | 8°                   | 6-1/8" X 7-1/8"   | 6-5/8"               | 5-1/2"         | 5°                | 4-1/2"               | 12-1/2# |
| 77943 | 1-1/2"             | 10°                  | 6-1/8" X 7-1/4"   | 5-1/2"               | 4-1/2"         | 15°               | 3"                   | 11#     |
| 77953 | 1-1/2"             | 10°                  | 6-1/8" X 7-1/4"   | 5-1/2"               | 4-1/2"         | 15°               | 3"                   | 11#     |
| 25437 | 1-1/2"             | 11°                  | 6" X 7"           | 7-3/8"               | 6"             | 9°                | 5"                   | 17-1/4# |
| 25438 | 1-1/2"             | 11°                  | 6" X 7"           | 7-3/8"               | 6"             | 9°                | 5"                   | 17-1/4# |
| 74654 | 1-1/2"             | 15°                  | 6" X 7-1/8"       | 12"                  | 10-3/4"        | 3°                | 9-1/2"               | 17#     |
| 74664 | 1-1/2"             | 15°                  | 6" X 7-1/8"       | 12"                  | 10-3/4"        | 3°                | 9-1/2"               | 17#     |
| 25905 | 1-1/4"             | 13°                  | 6-3/8" x 9"       |                      | 10-1/6"        | 21°               | 8-7/16"              | 23.4#   |
| 25906 | 1-1/4"             | 13°                  | 6-3/8" x 9"       |                      | 10-1/6"        | 21°               | 8-7/16"              | 23.4#   |



# Auxiliary Struts with Rubber Bearing

(Backing Plates Available Upon Request)

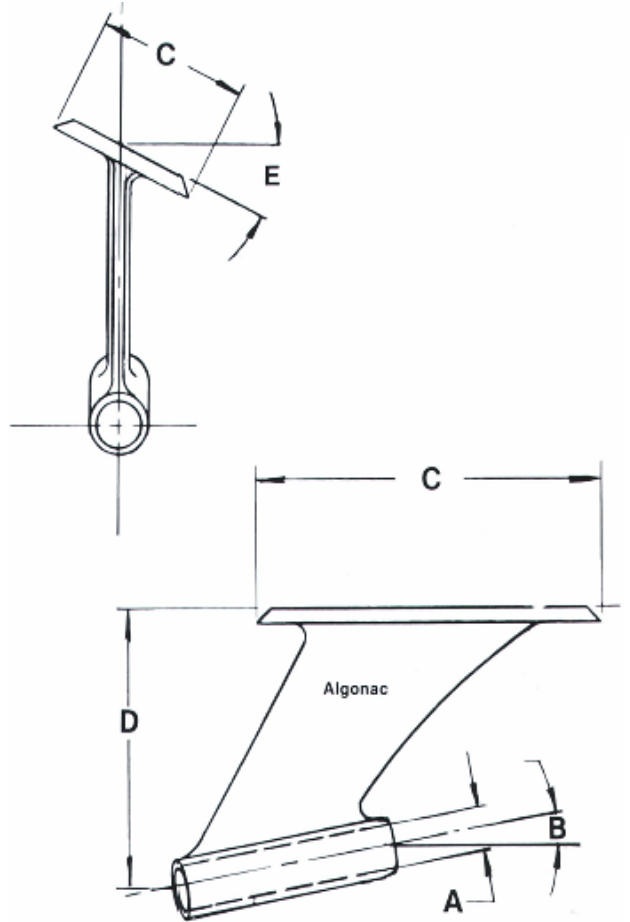


| Part# | A – Shaft Size | B – Degree of Angle | C – Base Size   | D – Drop Overall | E – Drop Aft | G – Drop Forward | Wgt.    |
|-------|----------------|---------------------|-----------------|------------------|--------------|------------------|---------|
| 19403 | 1-3/8"         | 7°                  | 5-1/4" x 5-1/4" | 3-1/8"           | 4-1/4"       | 2-11/16"         | 9-1/2#  |
| 19433 | 1-3/8"         | 11°                 | 5-1/4" x 5-1/4" | 5-1/8"           | 4-1/4"       | 2-11/16"         | 9-1/2#  |
| 76553 | 1-1/2"         | 11°                 | 6" X 6"         | 4-1/4"           | 3-1/4"       | 2"               | 7-1/2#  |
| 78013 | 1-1/2"         | 10°                 | 6-1/8" X 7-1/4" | 5-5/8"           | 4-1/8"       |                  | 20-1/2# |
| 78023 | 1-3/4"         | 10°                 | 6-1/8" X 7-1/4" | 5-5/8"           | 4-1/8"       |                  | 18#     |
| 65473 | 1-3/4"         | 8° 30'              | 7" x 7-1/2"     | 5-7/8"           | 4-1/2"       | 3-17/32"         |         |
| 70453 | 1-3/8"         | 10° 45'             | 5-1/8" x 5-1/4" | 3-1/2"           | 2-1/4"       | 2"               | 5#      |

# Port and Starboard Hi-Performance Racing Struts with Rubber Bearing



(Backing Plates Available Upon Request)

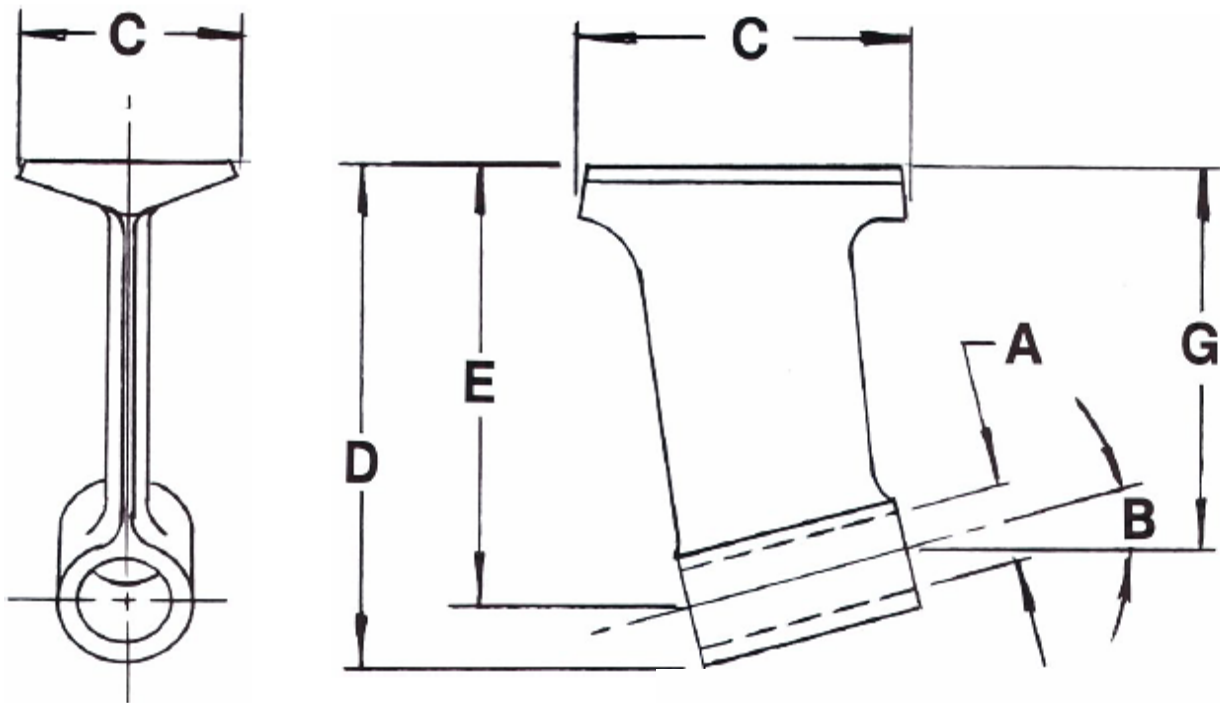


| Part# | A<br>Shaft<br>Size | B<br>Degree of<br>Angle | C<br>Base Size  | D<br>Drop<br>Overall | E<br>Drop<br>Aft. | F<br>Dead Rise | Wgt. |
|-------|--------------------|-------------------------|-----------------|----------------------|-------------------|----------------|------|
| 75854 | 1-1/4"             | 15°                     | 7-1/2" X 9-1/4" | 13-1/4"              | 12-1/4"           | 27°            | 24#  |
| 75864 | 1-1/4"             | 15°                     | 7-1/2" X 9-1/4" | 13-1/4"              | 12-1/4"           | 27°            | 24#  |
| 55974 | 1-1/2"             | 15°                     | 7-1/4" X 8"     | 13-1/2"              | 12-1/2"           | 20             | 24#  |
| 55994 | 1-1/2"             | 15°                     | 7-1/4" X 8"     | 13-1/2"              | 12-1/2"           | 20             | 24#  |



## Sailboat Struts

(Available with Flat, Recess or "V" Base.  
Machined Complete with Bearing  
Installed, Back-Up Plate Available for All  
Struts. Other Sizes and Angles Available.)

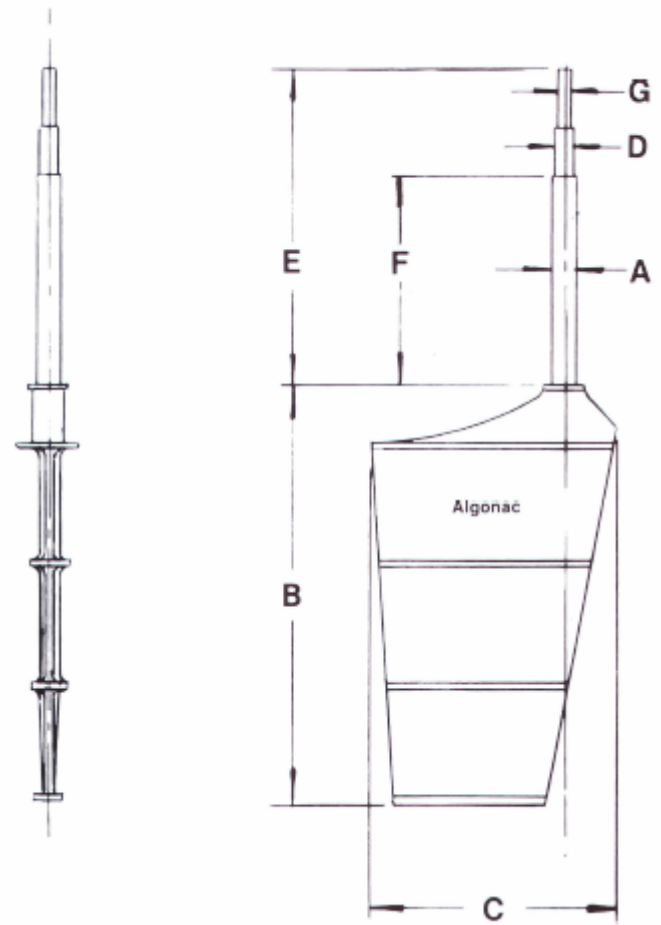


| Part#   | Shaft  | Angle | Drop   | Base Type   | Base Size       | OA Height | Finish | Wgt.   |
|---------|--------|-------|--------|-------------|-----------------|-----------|--------|--------|
| T-10    | 3/4"   | 20°   | 5-3/8" | Recess Flat | 3-3/4" X 4"     | 6"        | Burn.  | 4-1/4# |
| 25603   | 1"     | 15°   | 6"     | Recess Flat | 3-3/4" X 5-1/4" | 7-1/4"    | Burn.  | 6#     |
| 25605   | 1"     | 15°   | 6-3/4" | Recess Flat | 3" X 6"         | 8"        | Burn.  | 6-1/4# |
| 25806   | 1"     | 20°   | 8-3/4" | Recess Flat | 4-1/4" X 6"     | 9-1/2"    | Burn.  | 9#     |
| 9.2     | 1"     | 24°   | 9"     | Recess Flat | 4" X 6"         | 9-3/4"    | Burn.  | 11#    |
| 25855   | 1"     | 30°   | 9-3/4" | Recess Flat | 4-1/4" X 5-1/4" | 10-3/4"   | Burn.  | 14#    |
| 2253-56 | 1-1/4" | 20°   | 9-1/4" | "V" Base    | 4" X 5-3/4"     | 10"       | Burn.  | 11#    |





## Ribbed Rudders (Machined to Specifications)

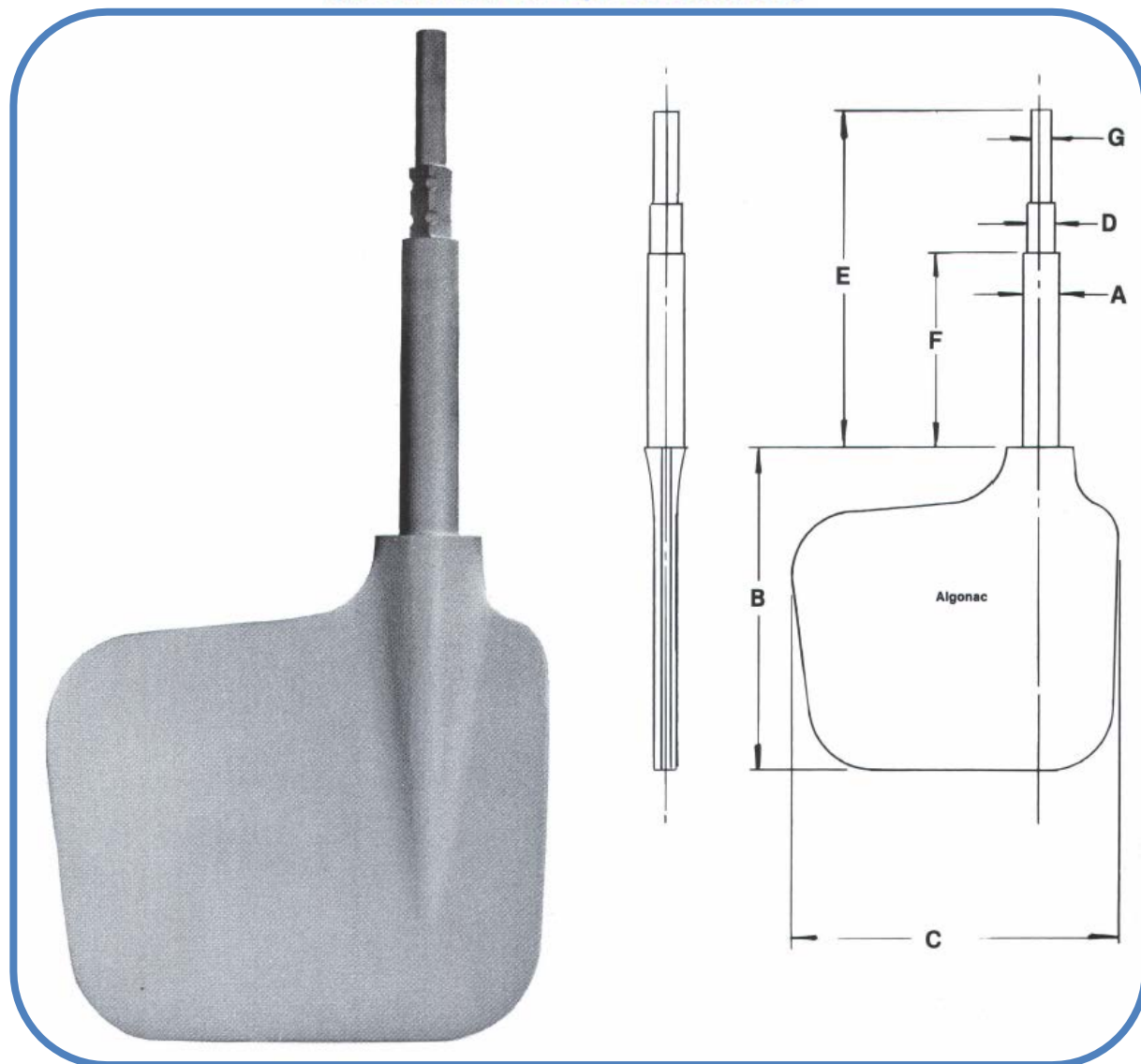


| Part# | A<br>Shaft<br>Size | B<br>Blade<br>Length | C<br>Blade<br>Width | D<br>Squared<br>Area | E<br>OA Shaft<br>Length | F<br>Shaft to<br>Square or<br>Keyway | G<br>Rudder<br>Collar or<br>Bearing | Wgt. |
|-------|--------------------|----------------------|---------------------|----------------------|-------------------------|--------------------------------------|-------------------------------------|------|
| 26171 | 1-1/4"             | 17"                  | 10-1/4"             | X                    | 13-3/4"                 | 9-1/2"                               | 3-1/2"                              | 30#  |



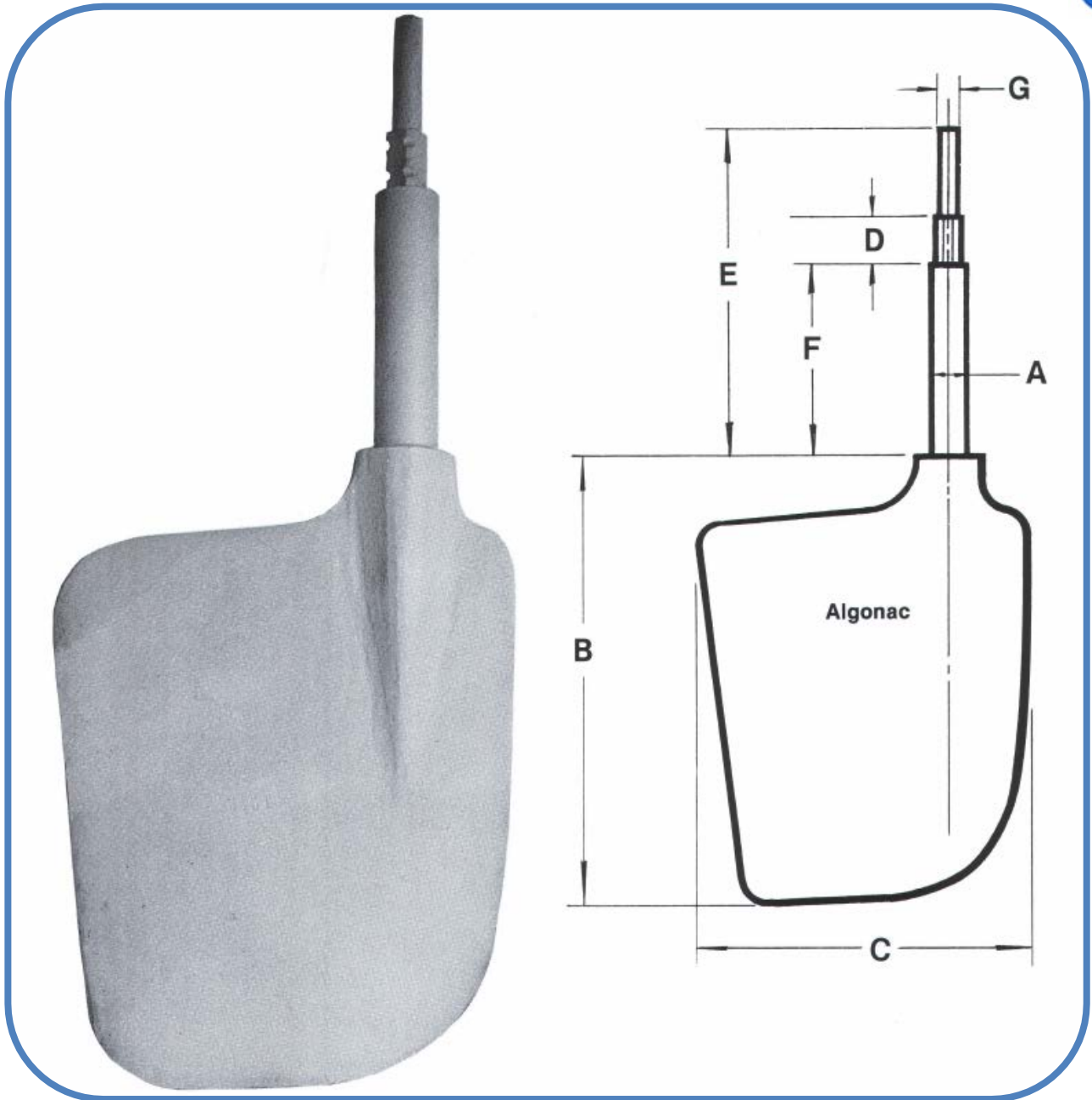
# Square Rudders

(Machined to Specifications)



| Part#    | A<br>Shaft<br>Size | B<br>Blade<br>Length | C<br>Blade<br>Width | D<br>Squared<br>Area | E<br>OA Shaft<br>Length | F<br>Shaft to<br>Square or<br>Keyway | G<br>Rudder<br>Collar or<br>Bearing | Wgt.   |
|----------|--------------------|----------------------|---------------------|----------------------|-------------------------|--------------------------------------|-------------------------------------|--------|
| 2600-1   | 3/4"               | 8-11/4"              | 8-3/8"              | 112" X 1-3/16"       | 6-3/16"                 | 5"                                   | X                                   | 5#     |
| 2600-2   | 1"                 | 8-5/8"               | 10-3/4"             | 3/4" X 7/8"          | 7-1/16"                 | 5-3/4"                               | 5/8"                                | 7#     |
| 2600-25  | 1"                 | 9-3/16"              | 9"                  | 112" X 1-3/16"       | 6-7/16"                 | 5-1/4"                               | X                                   | 12#    |
| 2600-3   | 1"                 | 9-5/8"               | 10-3/8"             | 3/4" X 7/8"          | 7-1/16"                 | 5-7/8"                               | 5/8"                                | 8-112# |
| 2600-27  | 1"                 | 11-5/8"              | 6-3/8"              | 3/4" X 7/8"          | 7-11/16"                | 5-7/8"                               | 5/8"                                | 9#     |
| 42253    | 1"                 | 8-1/4"               | 8-1/4"              | X                    | 6-11/2"                 | 5-11/4"                              | X                                   | 6-3/4# |
| 849      | 1"                 | 9-3/4"               | 10-3/4"             | X                    | 7-1/4"                  | X                                    | X                                   | 15#    |
| 26010    | 1-1/4"             | 9-3/8"               | 11-9/16"            | 7/8" X 11/16"        | 9-9/16"                 | 6-1/4"                               | 3/4"                                | 11#    |
| 2600-10  | 1-1/4"             | 10-11/4"             | 12"                 | 1" X 1-11/4"         | 10-3/4"                 | 6-1/4"                               | 7/8"                                | 12#    |
| 75004-14 | 1-1/4"             | 11"                  | 11"                 | X                    | 11"                     | X                                    | X                                   | 14#    |
| 59574    | 1-1/2"             | 19"                  | 16"                 | 1-11/4" X 2-3/4"     | 13-5/8"                 | 7"                                   | 1-1/8"                              | 52#    |

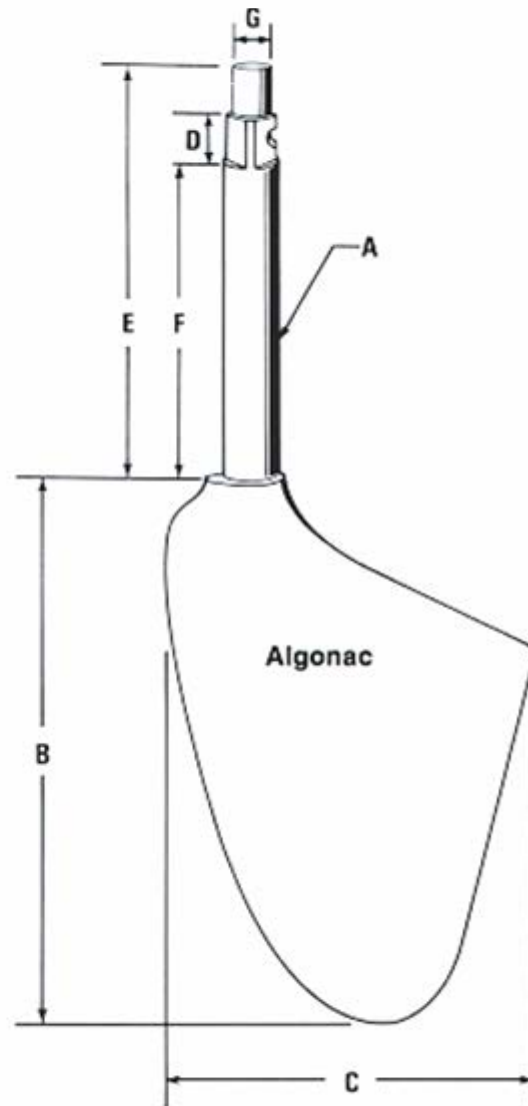
# Standard Rudders



| Part#   | A<br>Shaft<br>Size | B<br>Blade<br>Length | C<br>Blade<br>Width | D<br>Squared<br>Area | E<br>OA Shaft<br>Length | F<br>Shaft to<br>Square<br>or<br>Keyway | G<br>Rudder<br>Collar or<br>Bearing | Wgt.    |
|---------|--------------------|----------------------|---------------------|----------------------|-------------------------|---|-------------------------------------|---------|
| 42654   | 1"                 | 15-3/4"              | 11"                 | 1-1/8"X 2-1/4"       | 9-7/8"                  | 6-1/2"                                  | 1"                                  | 18#     |
| 77144   | 1-1/4"             | 14"                  | 10-3/4"             | 15/16"X1-5/8"        | 9-1/4"                  | 5-1/4"                                  | 7/8"                                | 21#     |
| 26061   | 1-1/4"             | 12-1/4"              | 16"                 | X                    | 11-1/2"                 | X                                       | X                                   | 22-1/2# |
| 2600-11 | 1-1/4"             | 14-1/4"              | 10-3/4"             | 3/4"X 1-1/2"         | 10-9/16"                | 6-1/4"                                  | 5/8"                                | 19#     |
| 2600-12 | 1-1/4"             | 14-1/2"              | 10-3/4"             | 3/4"X 3/4"           | 11"                     | 6-1/4"                                  | 5/8"                                | 19#     |
| 26006   | 1-1/4"             | 14-1/4"              | 10-3/4"             | 7/8"X15/16"          | 10-1/2"                 | 6-7/8"                                  | 3/4"                                | 22#     |
| 10484   | 1-1/4"             | 15"                  | 10-3/4"             | X                    | 17"                     | X                                       | X                                   | 19-1/2# |
| 75314   | 1-1/4"             | 15"                  | 11"                 | 1-1/8"X1-1/2"        | 11"                     | 6-1/4"                                  | 1"                                  | 17-1/4# |
| 75014   | 1-1/2"             | 12-1/2"              | 10-1/2"             | 15/16"X1-1/2"        | 10-3/4"                 | 6-1/4"                                  | 7/8"                                | 21-1/4# |
| 76804   | 1-3/4"             | 20-1/2"              | 12-1/4"             | 1-1/2"X2-3/4"        | 13-3/8"                 | 6-7/8"                                  | X                                   | 48-1/4# |

# Tear Drop Rudders

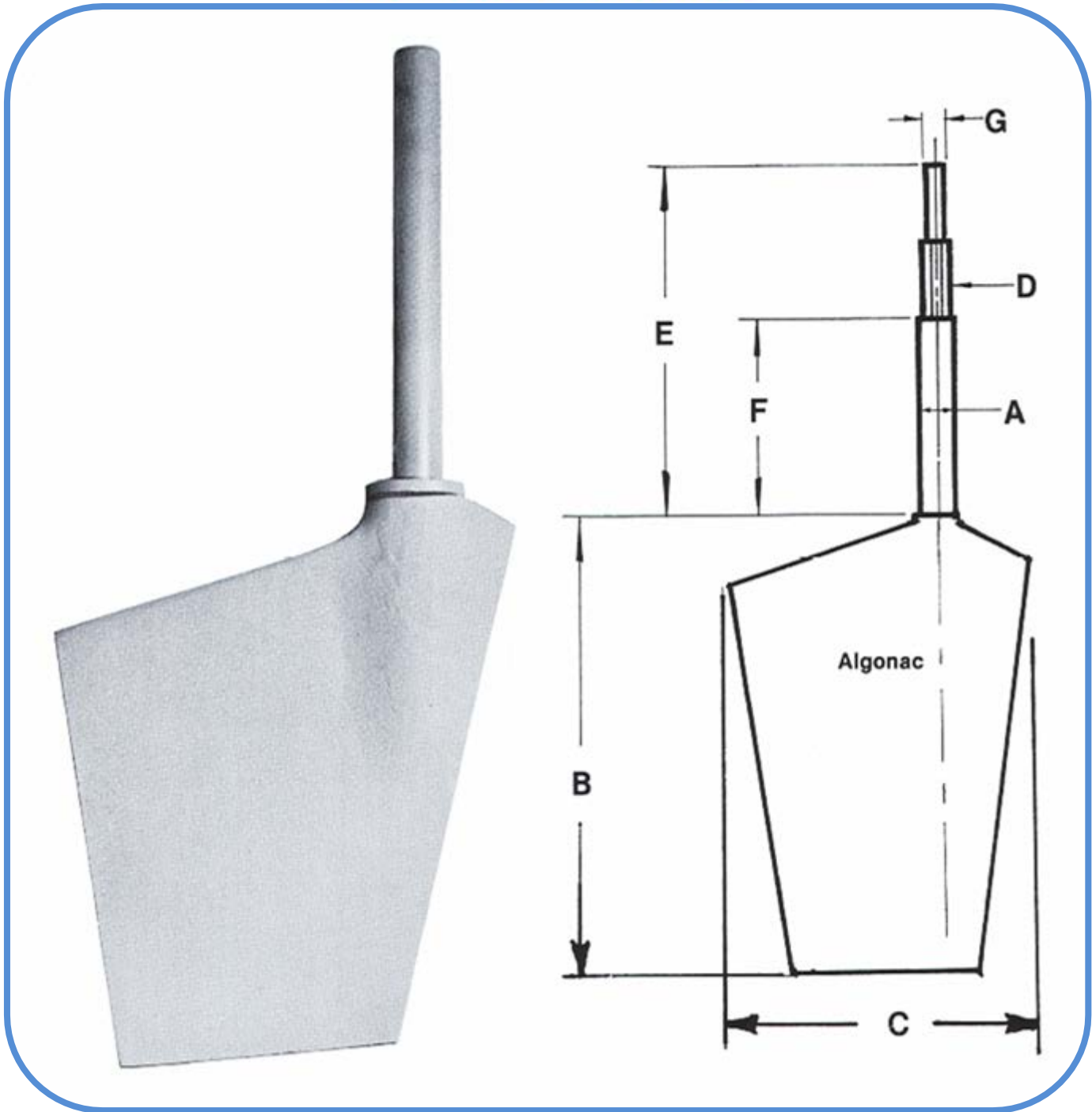
(Machined to Specifications)



| Part#   | A<br>Shaft Size | B<br>Blade<br>Length | C<br>Blade<br>Width | D<br>Squared Area | E<br>OA Shaft<br>Length | F<br>Shaft to<br>Square<br>or<br>Keyway | G Rudder<br>Collar or<br>Bearing | Wgt. |
|---------|-----------------|----------------------|---------------------|-------------------|-------------------------|---|----------------------------------|------|
| 6147    | 1"              | 10-1/2"              | 8-1/4"              |                   | 9"                      | 6-1/4"                                  | X                                | 14#  |
| C-800   | 1"              | 13"                  | 9-1/4"              | X                 | 9-3/8"                  | X                                       | X                                | 18#  |
| 2600-26 | 1"              | 10-3/4"              | 6-1/4"              | 3/4" X 13/16"     | 8-11/16"                | 5-1/4"                                  | 5/8"                             | 12#  |
| 2600-6  | 1"              | 11-1/8"              | 8-5-32"             | 3/4" X 1-3/16"    | 6-7/16"                 | 5-1/4"                                  | X                                | 13#  |
| 2600-23 | 1"              | 11-3/16"             | 8-1/2"              | 3/4" X 13/16"     | 8-11/16"                | 5-1/4"                                  | 5/8"                             | 7#   |
| 75074   | 1"              | 13"                  | 8-1/2"              | X                 | 9"                      | 6-3/8"                                  | X                                | 10#  |
| 75304   | 1"              | 14"                  | 10-1/4"             | 7/8" X 15/16"     | 6-1/4"                  | 5-3/8"                                  | X                                | 20#  |
| 69434   | 1-1/2"          | 13-1/2"              | 8"                  | X                 | 9-3/4"                  | X                                       | X                                | 19#  |

# Spade Rudders

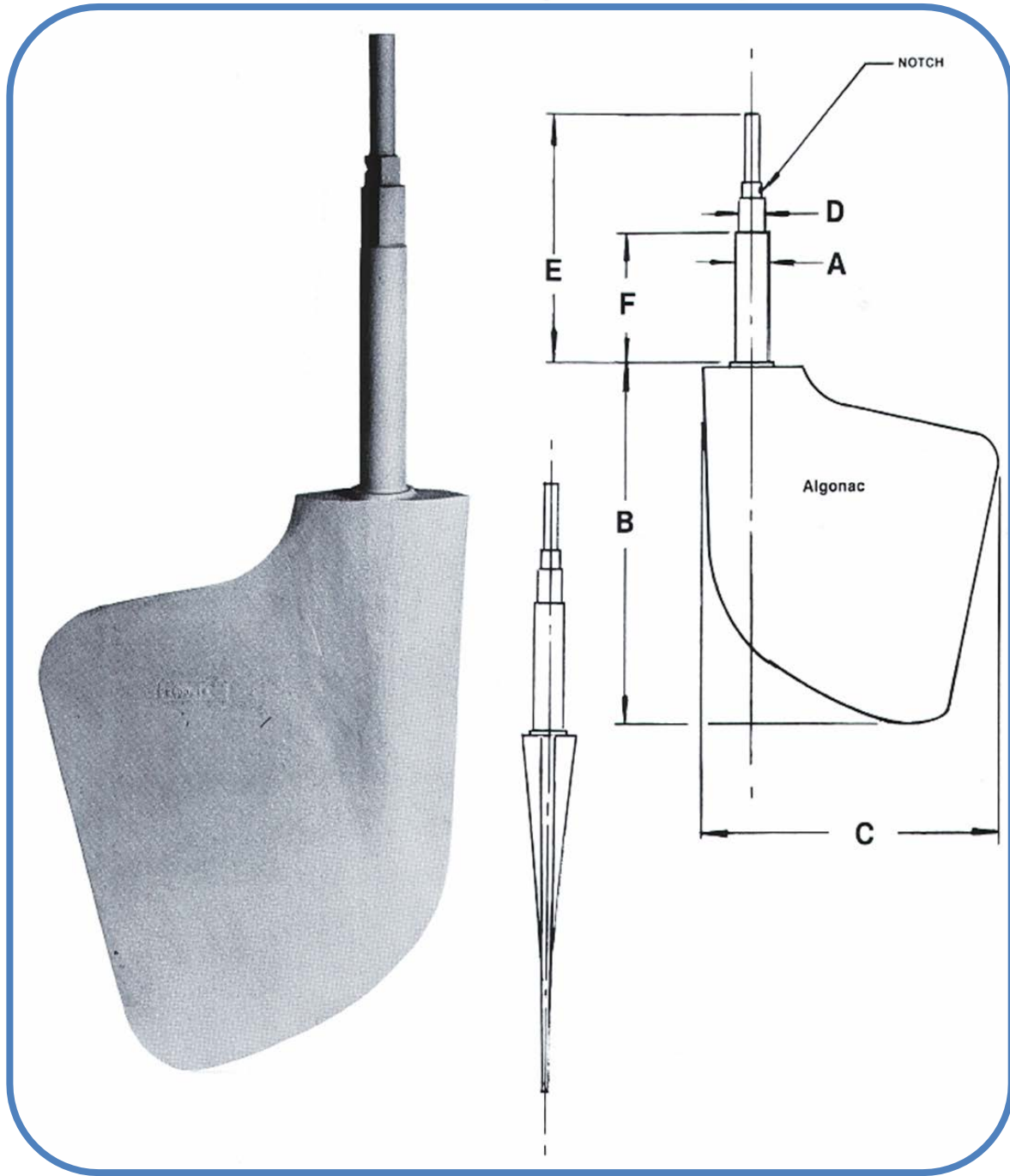
(Machined to Specifications)



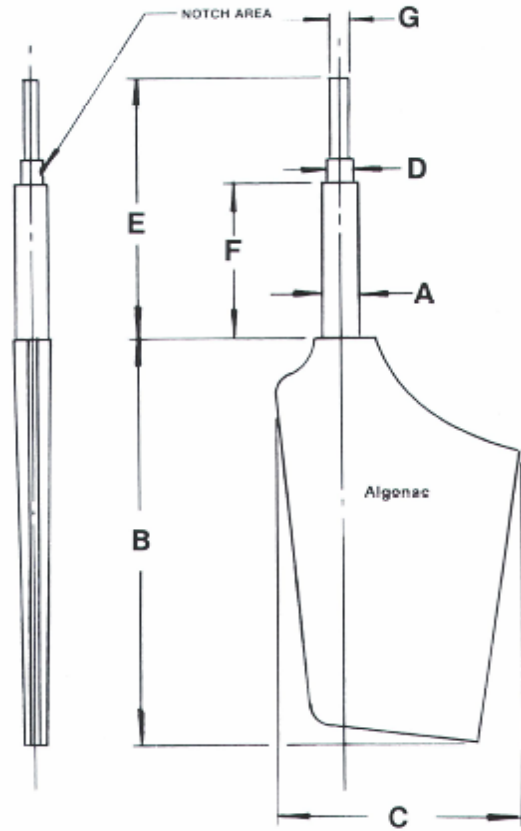
| Part# | A Shaft Size | B Blade Length | C Blade Width | D Squared Area | E OA Shaft Length | F Shaft to Square or Keyway | G Rudder Collar or Bearing | Wgt.    |
|-------|--------------|----------------|---------------|----------------|-------------------|-----------------------------|----------------------------|---------|
| 26155 | 1"           | 14-1/2"        | 10-5/16"      | 3/4" X 3/4"    | 12-3/8"           | 8-1/4"                      | 5/8"                       | 19#     |
| 75524 | 1-1/4"       | 14-1/2"        | 10-1/8"       | X              | 12-1/4"           | 8-1/4"                      | X                          | 19#     |
| 26165 | 1-1/4"       | 15"            | 10-1/2"       | X              | 14-1/4"           | 11-1/8"                     |                            | 23-1/2# |
| 26254 | 1-1/4"       | 17"            | 10"           | 1" x 1-3/4"    | 13"               | 8-1/4"                      | 7/8"                       | 23-1/2# |

# Cruiser Rudders

(Machined to Specifications)



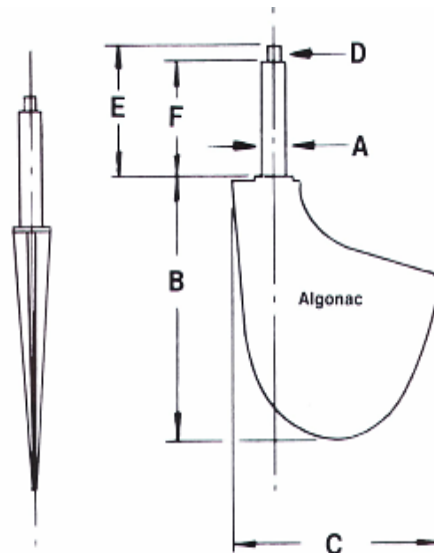
| Part# | A<br>Shaft<br>Size | B<br>Blade<br>Length | C<br>Blade<br>Width | D<br>Square<br>d Area | E<br>OA Shaft<br>Length | F<br>Shaft to<br>Square<br>or<br>Keyway | G<br>Rudder<br>Collar or<br>Bearnig | Wgt.    |
|-------|--------------------|----------------------|---------------------|-----------------------|-------------------------|---|-------------------------------------|---------|
| 63514 | 1-1/4"             | 15-1/2"              | 12"                 | 1"X 2-3/4"            | 13-1/2"                 | 7"                                      | 7/8"                                | 24-1/2# |
| 61494 | 1-1/4"             | 13-3/4"              | 9-1/2"              | X                     | 10-7/8"                 | X                                       | X                                   | 15#     |
| 26062 | 1-1/4"             | 15-1/2"              | 13-1/2"             | X                     | 12-1/4"                 | 9-1/8"                                  | X                                   | 26-1/2# |
| 56734 | 1-1/2"             | 12"                  | 13-1/2"             | 1-1/4"X 1-1/4"        | 13-1/2"                 | 8-1/4"                                  | 1-1/8"                              | 17-1/2# |
| 75024 | 1-3/4"             | 20-13/32"            | 14-7/16"            | 1-11/16"X 1-3/16"     | 14-3/4"                 | 6-7/8"                                  | 1-9/16"                             | 48#     |
| 75504 | 1-3/4"             | 20"                  | 8-3/4"              | 1-3/16"X 2-11/16"     | 14-3/4"                 | 6-7/8"                                  | 1-1/8"                              | 36#     |
| 77214 | 1-3/4"             | 24-3/8"              | 16"                 |                       |                         |   |                                     |         |
| 75534 | 1-3/4"             | 21"                  | 15-5/8"             |                       | 14-25/32"               | 6-7/8"                                  | 9-9/16"                             |         |



## Performance Rudders (Machined to Specifications)

Due to the high-torque and stability requirements of ski, performance or drag rudders, Algonac does not recommend rudders for this use of less than 1-1/4" shaft stock.

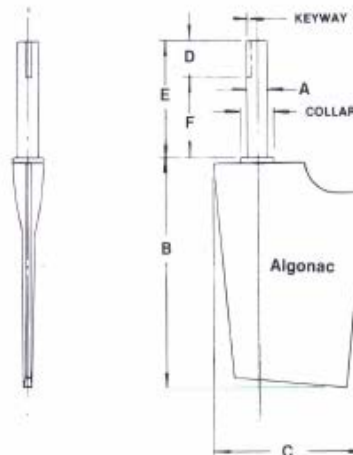
| Part# | A<br>Shaft Size | B<br>Blade Length | C<br>Blade Width | D<br>Squared Area | E<br>OA Shaft Length | F<br>Shaft to Square or Keyway | G<br>Ruder Collar or Bearing | Wgt. |
|-------|-----------------|-------------------|------------------|-------------------|----------------------|--------------------------------|------------------------------|------|
| 77364 | 1-1/4"          | 10-3/4"           | 8"               |                   |                      |                                |                              |      |
| 26159 | 1-1/4"          | 14"               | 8"               |                   |                      |                                |                              |      |
| 26361 | 1-1/4"          | 16-1/4"           | 8"               |                   |                      |                                |                              |      |
| 77114 | 1-1/4"          | 14-3/4"           | 8"               |                   |                      |                                |                              |      |
| 26332 | 1-1/4"          | 16-1/4"           | 8"               |                   |                      |                                |                              |      |
| 26333 | 1-1/4"          | 14-3/4"           | 8-1/4"           |                   |                      |                                |                              |      |
| 77054 | 1-1/2"          | 16"               | 9-1/2"           |                   |                      |                                |                              |      |
| 26335 | 1-1/2"          |                   |                  |                   |                      |                                |                              |      |
| 26339 |                 |                   |                  |                   |                      |                                |                              |      |
| 26324 | 1-1/4"          | 3/4"              | 9-3/4"           |                   |                      |                                |                              |      |
| 26323 | 1-1/4"          |                   |                  |                   |                      |                                |                              |      |



**Ski Rudders**  
(Machined to Specifications)

Due to the high-torque and stability requirements of ski, performance or drag rudders, Algonac does not recommend rudders for this use of less than 1-1/4" shaft stock.

| Part# | A Shaft Size | B Blade Length | C Blade Width | D Squared Area | E OA Shaft Length | F Shaft to Square or Keyway | G Rudder Collar or bearing | Wgt.    |
|-------|--------------|----------------|---------------|----------------|-------------------|-----------------------------|----------------------------|---------|
| 26353 | 1-1/4"       | 12-3/4"        | 9-1/8"        | 3/4" x 3/4"    | 1-1/2"            | 7"                          | X                          | 12-1/2# |
| 26354 | 1-1/4"       | 12-13/16"      | 10"           | 3/4" x 3/4"    | 1-1/4"            | 6-5/8"                      | X                          | 14#     |



**Drag Rudders**  
(Machined to Specifications)

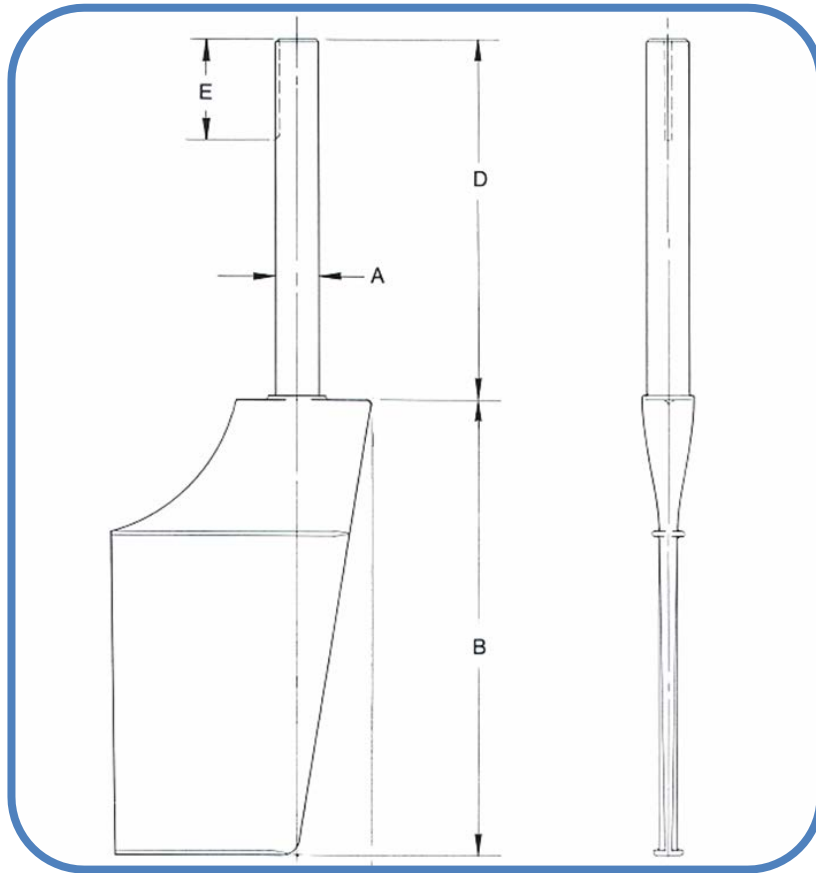
Due to the high-torque and stability requirements of ski, performance or drag rudders, Algonac does not recommend rudders for this use of less than 1-1/4" shaft stock.

| Part# | A Shaft Size | B Blade Length | C Blade Width | D Squared Area | E OA Shaft Length | F Shaft to Square or Keyway | G Rudder Collar or bearing | Wgt.    |
|-------|--------------|----------------|---------------|----------------|-------------------|-----------------------------|----------------------------|---------|
| 26362 | 1-1/4"       | 12"            | 7-1/2"        | 3/4" x 3/4"    | 7"                | 5"                          | 1-1/4"                     | 13#     |
| 26160 | 1-1/4"       | 13-1/2"        | 9-1/4"        | X              | 7-1/4"            | X                           | X                          | 21-1/2# |
| 26161 | 1-1/4"       | 11-1/2"        | 9-1/2"        | 3/4" x 3/4"    | 6-3/4"            | 4"                          | 2"                         | 15#     |

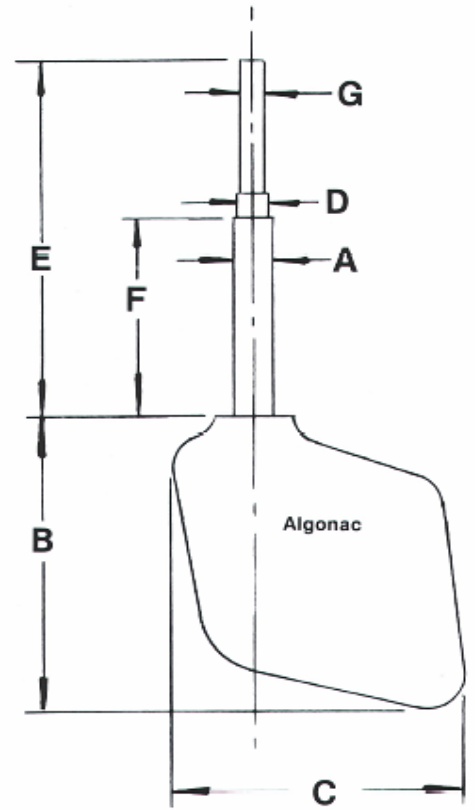


# Taper Rudders

(Machined to Specifications)

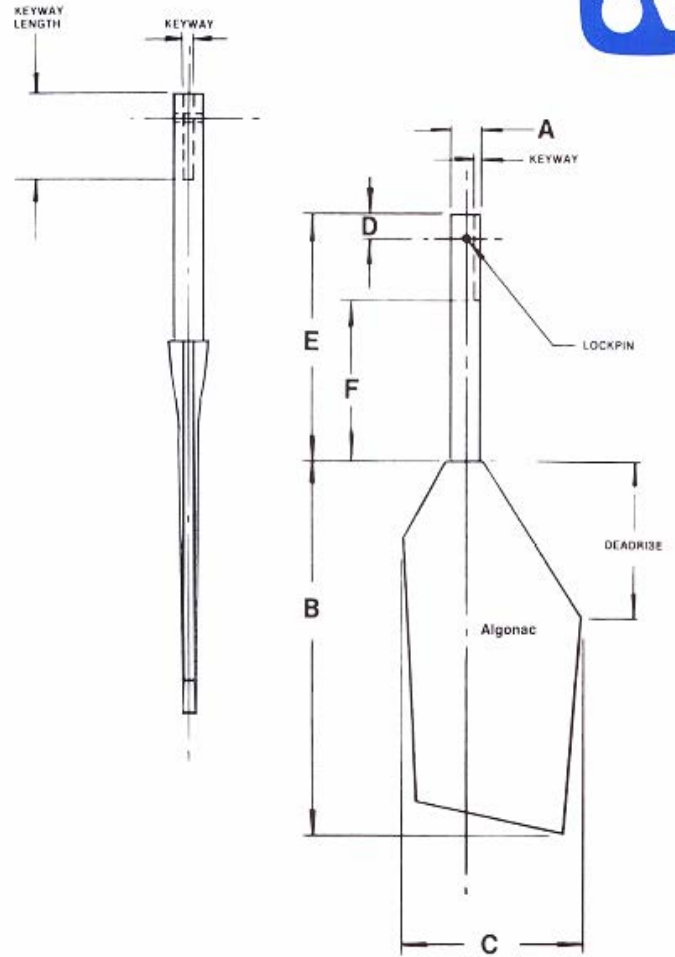
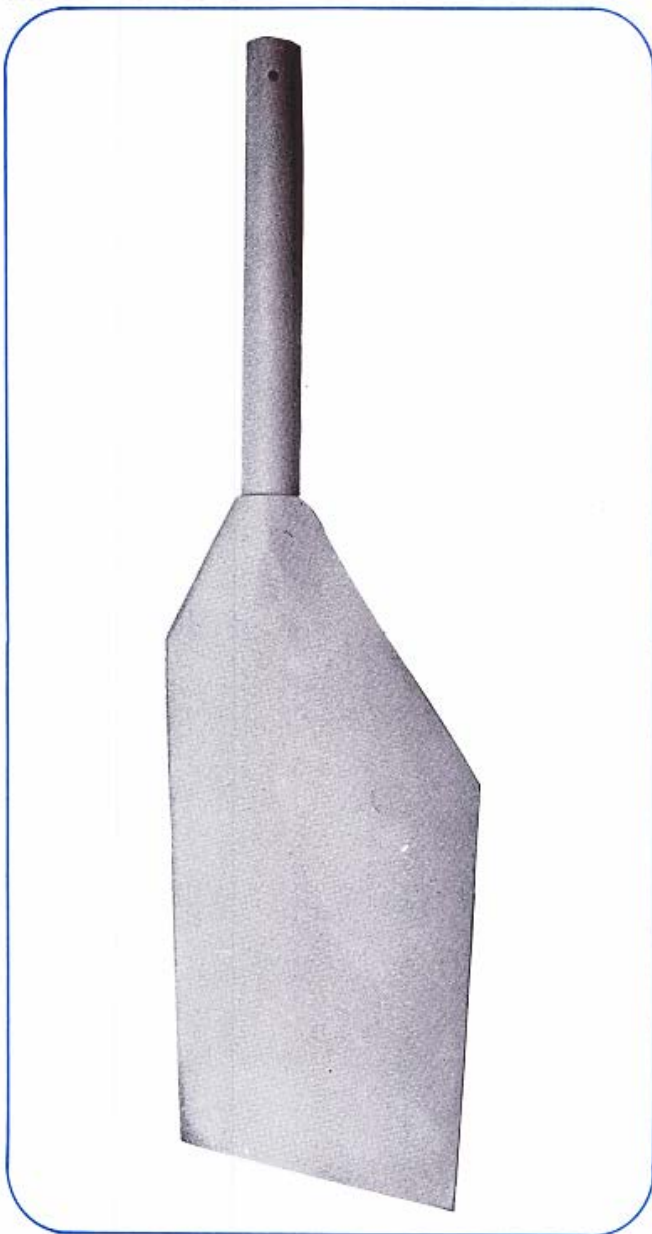


| Part# | A<br>Shaft Size | B<br>Blade<br>Length | C<br>Blade<br>Width | D<br>Shaft<br>Length | E<br>Key Length | Shaft Type      |
|-------|-----------------|----------------------|---------------------|----------------------|-----------------|-----------------|
| 26340 | 2"              | 28.38                | 16.12               | 15.00                | 6.00            | Stainless Steel |
| 26341 | 2"              | 23.31                | 14.68               | 17.75                | 4.25            | Cast Bronze     |
| 26342 | 1-1/2"          | 15.82                | 9.13                | 12.50                | 3.50            | Cast Bronze     |
| 26343 |                 |                      |                     |                      |                 |                 |
| 26344 | 1-1/2"          | 17.49                | 10.16               | 11.25                | 3.50            | Stainless Steel |
| 26345 | 2-1/2"          | 28.38                | 16.12               | 16.00                | 6.25            | Stainless Steel |
| 26346 | 3"              | 28.38                | 16.12               | 15.00                | 6.00            | Stainless Steel |
| 26347 |                 |                      |                     |                      |                 |                 |
| 26348 | 1-1/2"          | 15.82                | 9.13                | 12.50                | 3.50            | Cast Bronze     |
| 26349 | 1-1/4"          | 14.00                | 7.38                | 17.12                | 3.25            | Cast Bronze     |
| 26350 | 2"              | 23.19                | 12.18               | 16.00                | 5.50            | Stainless Steel |
|       |                 |                      |                     |                      |                 |                 |
|       |                 |                      |                     |                      |                 |                 |
| 26540 | 1-1/2"          | 17.63                | 9.38                | 13.94                | 3.25            | Cast Bronze     |
| 26541 | 2"              | 27.81                | 15.83               | 17.75                | 6.25            | Cast Bronze     |
| 26542 | 2"              | 23.31                | 14.69               | 15.44                | 6.25            | Cast Bronze     |
| 26543 | 1-1/4"          | 18.50                | 9.25                | 11.75                | 3.25            | Cast Bronze     |
| 26544 |                 |                      |                     |                      |                 |                 |
| 26545 |                 |                      |                     |                      |                 |                 |
| 26546 |                 |                      |                     |                      |                 |                 |
| 26547 |                 |                      |                     |                      |                 |                 |
| 26548 | 2-1/2"          | 24.87                | 11.00               | 17.75                | 6.25            | Stainless Steel |
| 26549 | 2"              | 24.87                | 11.00               | 17.75                | 6.25            | Stainless Steel |
| 26550 |                 |                      |                     |                      |                 |                 |



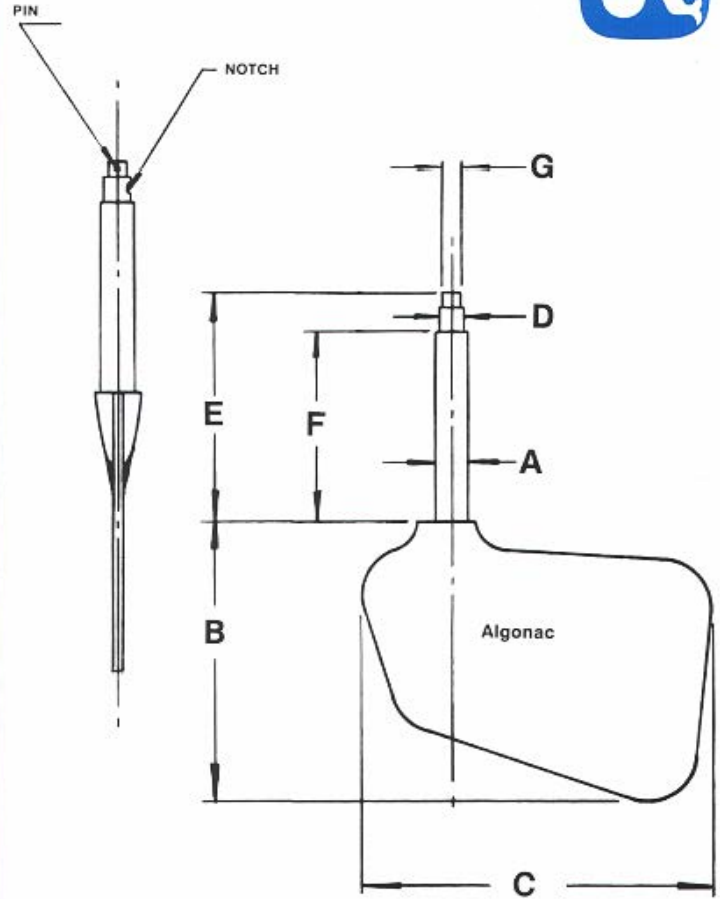
**Runabout Rudders**  
(Machined to Specifications)

| Part#   | A<br>Shaft Size | B<br>Blade Length | C<br>Blade Width | D<br>Squared Area | E<br>OA Shaft Length | F<br>Shaft to Square or Keyway | G<br>Rudder Collar or Bearing | Wgt.    |
|---------|-----------------|-------------------|------------------|-------------------|----------------------|--------------------------------|-------------------------------|---------|
| C-287   | 1"              | 9-1/4"            | 8"               | 3/4" X 1"         | 9-7/8"               | 5"                             | 5/8"                          | 8-1/2#  |
| 26105   | 1"              | 8-1/2"            | 7-3/4"           | 3/4" X 5/16"      | 10-7/8"              | 6"                             | 5/8"                          | 7#      |
| 42753   | 1"              | 11-1/2"           | 11-1/2"          | X                 | 7-1/8"               | X                              | X                             | 11-1/4# |
| C-766   | 1"              | 11"               | 6-3/4"           | 3/4" X 1"         | 9-1/4"               | 5"                             | 5/8"                          | 15#     |
| 2600-29 | 1"              | 13"               | 11"              | 3/4" X 1-1/4"     | 12-1/4"              | 8"                             | 5/8"                          | 19#     |



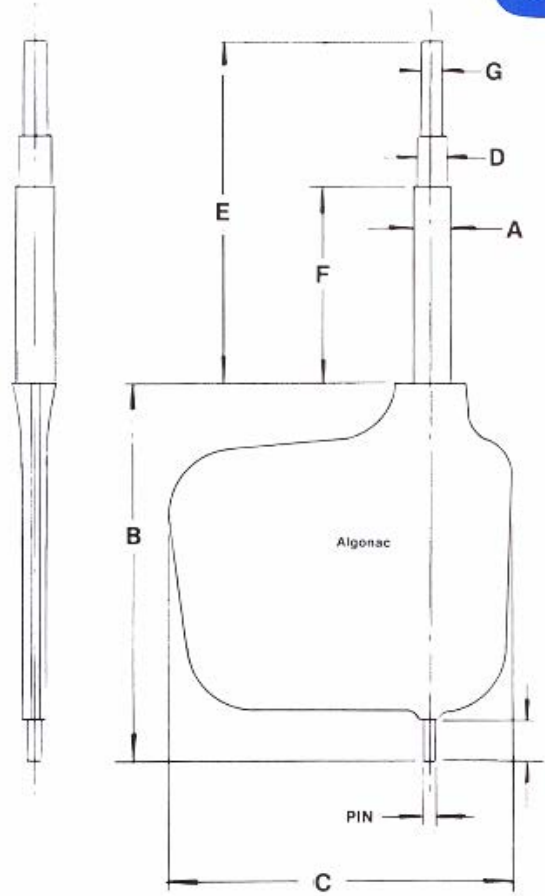
**Wedge Rudders**  
(Machined to Specifications)

| Part# | A<br>Shaft Size | B<br>Blade<br>Length | C<br>Blade<br>Width | D<br>Squared<br>Area | E<br>OA Shaft<br>Length | F<br>Shaft to Square<br>or Keyway | G<br>Rudder Collar<br>or Bearing | Wgt.    |
|-------|-----------------|----------------------|---------------------|----------------------|-------------------------|-----------------------------------|----------------------------------|---------|
| C-803 | 1"              |                      |                     |                      |                         |                                   |                                  | 9.75#   |
| 26364 | 1-1/4"          |                      |                     |                      |                         |                                   |                                  |         |
| 26369 | 1-1/4"          |                      |                     |                      |                         |                                   |                                  |         |
| 26172 | 1-1/4"          |                      |                     |                      |                         |                                   |                                  |         |
| 26385 | 1-1/4"          | 18-1/2"              | 6-1/2"              | X                    | 9-1/2"                  | X                                 | X                                | 13-1/2# |
| 26386 | 1-3/4"          | 19-1/2"              | 10-1/2"             | X                    | 14-1/4"                 | X                                 | X                                | 40#     |
| 26387 | 1-1/2"          | 19-1/2"              | 10-1/2"             | X                    | 14-1/4"                 | X                                 | X                                | 40#     |
| 26388 | 1-1/4"          |                      |                     | X                    |                         | X                                 | X                                | 27#     |
| 26389 | 1-1/2"          |                      |                     | X                    |                         | X                                 | X                                | 32#     |



**Fan Rudders**  
(Machined to Specifications)

| Part# | A2 Shaft Size | B Blade Length | C Blade Width | D Squared Area | E OA Shaft Length | F Shaft to Square to Keyway | G Rudder Collar or Bearing | Wgt.    |
|-------|---------------|----------------|---------------|----------------|-------------------|-----------------------------|----------------------------|---------|
| 26010 | 1-1/4"        | 12"            | 15"           | 1" X 2"        | 12-1/4"           | 6-1/4"                      | 7/8"                       | 18-1/2# |
| 26600 | 1-1/4"        | 10-1/2"        | 11-1/2"       | 3/4" X 1"      | 11"               | 6-3/8"                      | 5/8"                       | 11-1/2# |
| 56913 | 1-1/4"        | 9"             | 9-3/4"        | 1-1/4" X 2"    | 10-3/4"           | 5-1/2"                      | 1-1/8"                     | 11#     |



**Skeg Rudders**  
(Machined to Specifications)

| Part# | A<br>Shaft Size | B<br>Blade Length | C<br>Blade Width | D<br>Squared Area | E<br>OA Shaft Length | F<br>Shaft to Square or Keyway | G<br>Rudder Collar or Bearing | Wgt. |
|-------|-----------------|-------------------|------------------|-------------------|----------------------|--------------------------------|-------------------------------|------|
| 26500 | 1-1/4"          | 18"               | 16-1/4"          | X                 | 13-3/4"              | 7-1/2"                         | X                             | 37#  |

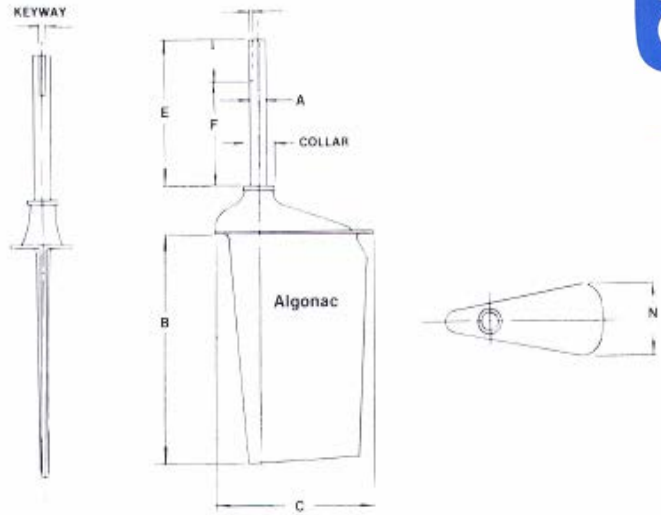


## Outboard Rudder Assembly

Consisting of:      Rudder                      Back-Up Plate  
                                 Housing                      Rudder Arm  
                                 Rudder Collar        "O" Ring and Zerk

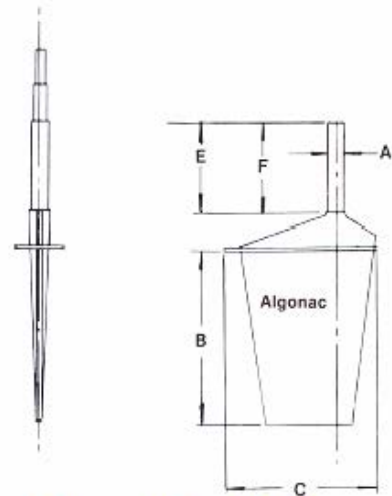
This Assembly may be made up with many styles of cavitation rudders and housings.

**Specify Transom Angle**



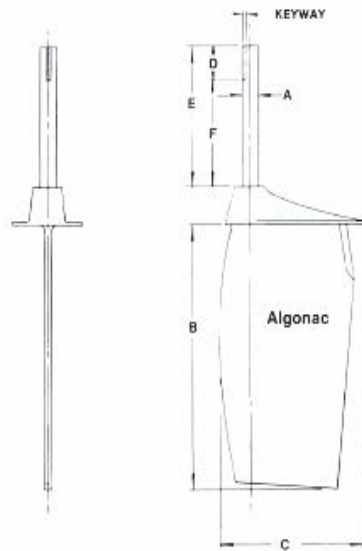
**Cavitation Rudder — “A”**  
(Machined to Specifications)

| Part# | A<br>Shaft Size | B<br>Blade Length | C<br>Blade Width | E<br>OA Shaft Length | F<br>Shaft to Square or Keyway | N      | Wgt. |
|-------|-----------------|-------------------|------------------|----------------------|--------------------------------|--------|------|
| 26208 | 1-1/4"          | 16"               | 12-1/8"          | 10-1/4"              |                                | 5"     | 24#  |
| 26162 | 1-1/4"          | 15"               | 15"              | 7-1/2"               | X                              | 5"     | 33#  |
| 26170 | 1-1/4"          | 15-3/4"           | 15-3/4"          | 10                   |                                | 4-3/4" | 39#  |



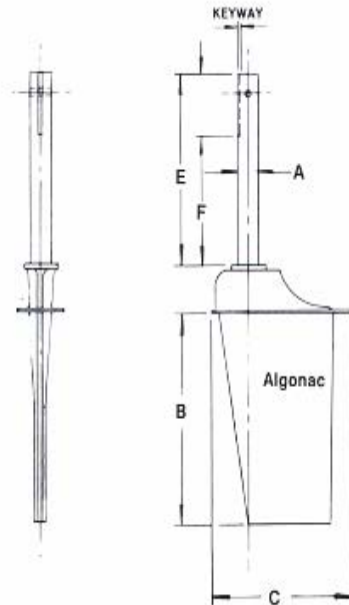
**Cavitation Rudder — “B”**  
(Machined to Specifications)

| Part# | A<br>Shaft Size | B<br>Blade Length | C<br>Blade Width | E<br>OA Shaft Length | F<br>Shaft to Square or Keyway | N      | Wgt. |
|-------|-----------------|-------------------|------------------|----------------------|--------------------------------|--------|------|
| 26150 | 1"              | 11-1/4"           | 7-1/4"           | 9-3/8"               |                                | 2-7/8" | 12#  |



**Cavitation Rudder — “C”**  
(Machined to Specifications)

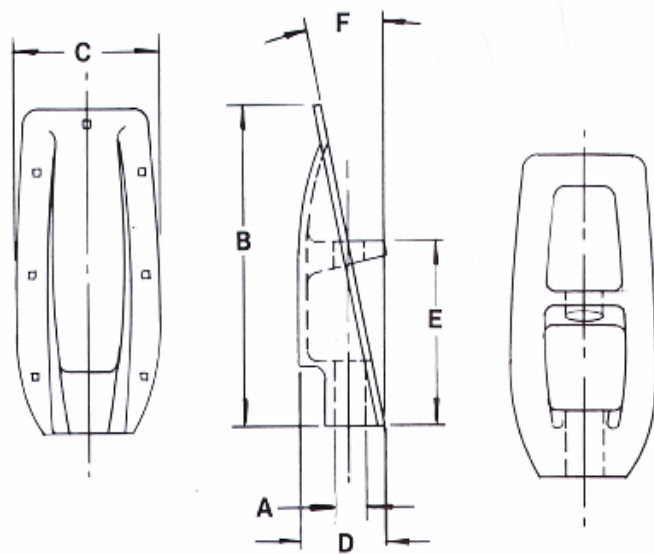
| Part# | A Shaft Size | B Blade Length | C Blade Width | E OA Shaft Length | F Shaft to Square or Keyway | N      | Wgt. |
|-------|--------------|----------------|---------------|-------------------|-----------------------------|--------|------|
| 26206 | 1-1/4"       | 18"            | 8-1/2"        | 11-1/2"           |                             | 3-3/4" | 40#  |



**Cavitation Rudder — “D”**  
(Machined to Specifications)

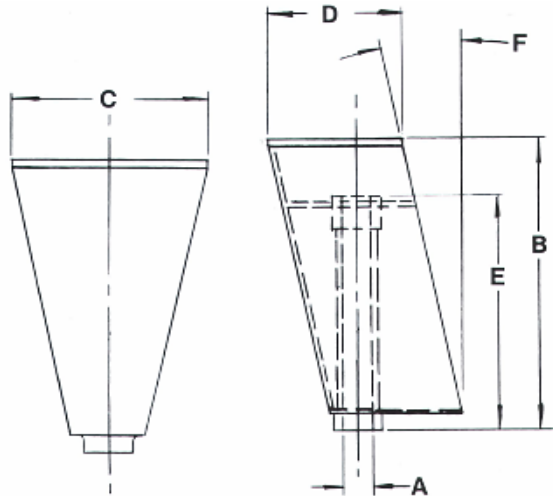
| Part# | A Shaft Size | B Blade Length | C Blade Width | E OA Shaft Length | F Shaft to Square or Keyway | N  | Wgt.    |
|-------|--------------|----------------|---------------|-------------------|-----------------------------|----|---------|
| 76744 | 1-1/4"       | 16-3/4"        | 8"            | 10-5/8"           | x                           | 6" | 25-1/4# |





**Outboard Housing — “A”**

| Part# | A Shaft Size | B Overall Height | C Width | D Extension | E Height to Arm | F Transom Angle | Fastener | Wgt. |
|-------|--------------|------------------|---------|-------------|-----------------|-----------------|----------|------|
| 26608 | 1-1/4"       | 13"              | 6-1/2"  | 5-1/4"      | 8"              | 12              |          | 12#  |
| 26610 | 1-1/4"       | 13"              | 7-1/8"  | 4-1/2"      | 8"              | 12              |          | 18#  |



**Outboard Housing — “C”**

| Part# | A Shaft Size | B Overall Height | C Width | D Extension | E Height to Arm | F Transom Angle | Fastener | Wgt. |
|-------|--------------|------------------|---------|-------------|-----------------|-----------------|----------|------|
| 26605 | 1-1/4"       | 17-1/4"          | 7"      | 4-3/4"      | 14-1/2"         | 13              |          | 27#  |



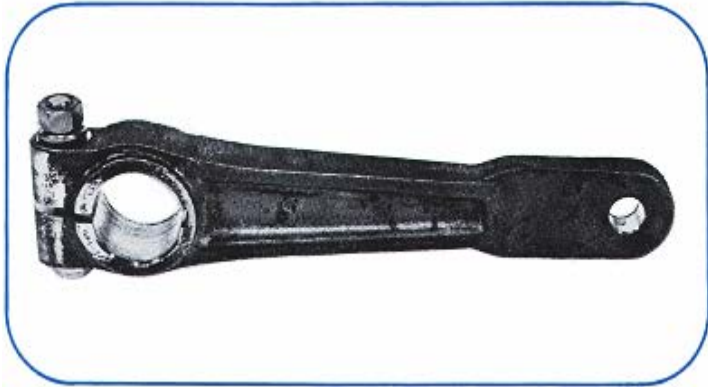
**Blind Fastener or Thru Bolt  
Type Stabilizer Fin  
Mang. Bronze or Aluminum**  
(Available in Other Sizes)

| Part# | Base Length | Base Width | Height | Finish   | Fasteners    | Wgt. |
|-------|-------------|------------|--------|----------|--------------|------|
| 26400 | 7-3/4"      | 3-1/2"     | 7-1/2" | Polished | 1/2" Studs   | 6#   |
| 26410 | 7-3/4"      | 3-1/2"     | 7-1/2" | Polished | 6-3/8" Bolts | 6#   |



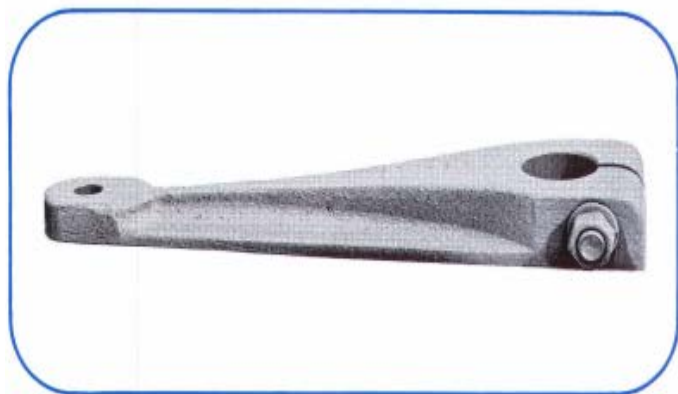
**Narrow Base Stabilizer Fin  
Manganese Bronze  
or Aluminum**  
(Available in Other Sizes)

| Part# | Base Length | Base Width | Height | Finish   | Fasteners    | Wgt. |
|-------|-------------|------------|--------|----------|--------------|------|
| 26415 | 8-5/8"      | 1-3/4"     | 6"     | Polished | 8-1/4" Bolts | 4#   |



**Rudder Arm — Tab  
Type for Keyway  
Installation  
Machined for Round  
or Square Shaft**  
(Other Lengths and Centers Available)

| Part# | OA Length | Shaft  | ¢                    | Bolt Hole          | Finish | Wgt.   |
|-------|-----------|--------|----------------------|--------------------|--------|--------|
| 27011 | 7-1/4"    | 1"     | 5-1/2"               | 3/8"               | Mach.  | 1-3/4# |
| 27012 | 8-3/4"    | 1-1/4" | 5-1/2" - 6-1/2"      | 1/2"               | Mach.  | 2#     |
| 27013 | 9-1/4"    | 1-1/4" | 7"                   | 1/2"               | Mach.  | 1-7/8# |
| 27014 | 10-1/4"   | 1-1/4" | 6-1/2" - 8"          | 1/2"               | Mach.  | 2#     |
| 27015 | 9-7/8"    | 1-1/2" | 7-1/2"               | 5/8"               | Mach.  | 3#     |
| 27016 | 8-1/4"    | 1-1/2" | 6"                   | 1/2"               | Mach.  | 2-3/4# |
| 27017 | 10-3/8"   | 1-1/2" | 6-1/2" - 8"          | 1/2"               | Mach.  | 2-3/4# |
| 27018 | 10-3/8"   | 1-3/4" | 6-1/2" - 8"          | 1/2"               | Mach.  | 3#     |
| 27019 | 12-3/8"   | 1-1/2" | 10"                  | 1/2"               | Mach.  | 3-5/8# |
| 27050 | 12-3/8"   | 1-1/2" | 8" - 10"             | 1/2"               | Mach.  | 3-5/8# |
| 27052 | 10-3/8"   | 1-1/2" | 8"                   | 1/2"               | Mach.  | 3-1/4# |
| 27053 | 10-3/8"   | 1-1/2" | 6-1/2" - 8"          | 1/2" - 3/4"        | Mach.  | 3#     |
| 27054 | 10-1/4"   | 1-1/4" | 6-1/2" - 8"          | 1/2" - 3/4"        | Mach.  | 2-1/4# |
| 27055 | 12-3/8"   | 1-3/4" | 7-3/4" - 10"         | 5/8" - 1/2"        | Mach.  | 3#     |
| 27056 | 10-1/2"   | 2"     | 6" - 8"              | 1/2"               | Mach.  | 4#     |
| 27057 | 11-1/2"   | 2"     | 6-1/2" - 9"          | 1/2"               | Mach.  | 4#     |
| 27059 | 11-3/4"   | 2"     | 4-1/2"-7-1/4"-<br>9" | 3/4"-3/4"-<br>1/2" | Mach.  | 4-3/4# |
| 27060 | 12-7/16"  | 1-3/4" | 7-3/4" - 10"         | 1/2" - 5/8"        | Mach.  | 3-7/8# |
| 27061 | 12-7/16"  | 1-1/2" | 7-3/4" - 10"         | 5/8"               | Mach.  | 3-7/8# |
| 27062 | 12-7/16"  | 1-3/4" | 7-3/4" - 10"         | 5/8"               | Mach.  | 3-7/8# |
| 27064 | 12-1/2"   | 3"     | 4-1/2"-7"-9"         | 3/4"-3/4"-1/2"     | Mach.  | 6-1/4# |
| 27065 | 12-1/2"   | 3"     | 6-1/2" - 9"          | 1/2"               | Mach.  | 6-1/4# |
| 27066 | 12-1/2"   | 2-1/2" | 6-1/2" - 9"          | 1/2"               | Mach.  | 6-1/4# |
| 27067 | 10-1/4"   | 1-1/4" | 8"                   | 5/8"               | Mach.  | 3-1/8# |
| 27068 | 12-1/2"   | 2-1/2" | 9"                   | 1/2"               | Mach.  | 6-1/4# |
| 27069 | 12-1/2"   | 2-1/2" | 4-1/2"-7"-9"         | 3/4"-3/4"-1/2"     | Mach.  | 6-1/4# |



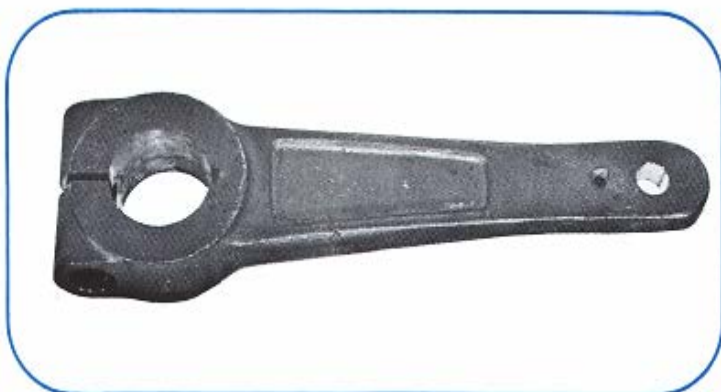
## Rudder Arm for Notched Shaft Installation

| Part# | Shaft | OA Length | C I C  | Clevis Hole | Finish | Wgt. |
|-------|-------|-----------|--------|-------------|--------|------|
| 27114 | 1"    | 8-1/2"    | 6-5/8" | 3/8"        | Mach.  | 2#   |



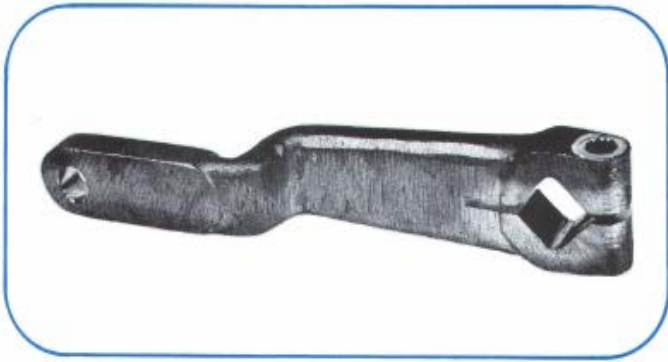
## Notch Shaft Rudder Arm (Other Centers Available)

| Part#  | OA Length | Shaft | ϕ       | Bolt Hole | Finish | Wgt. |
|--------|-----------|-------|---------|-----------|--------|------|
| 2730-2 | 8"        | 1"    | 6-5/16" | 5/8"      | Mach.  | 2#   |



## Rudder Arm Machined for Round or Square Shaft (Other Centers Available)

| Part# | OA Length | Shaft  | ϕ      | Bolt Hole | Finish | Wgt.   |
|-------|-----------|--------|--------|-----------|--------|--------|
| 27026 | 11-1/8"   | 1-1/4" | 8-3/4" | 5/8"      | Mach.  | 3-3/4# |



**Notch Shaft  
Offset Rudder Arm  
Machined for Round or  
Square Shaft**

| Part# | OA Length | Shaft | ϕ  | Bolt Hole | Offset | Finish | Wgt.   |
|-------|-----------|-------|----|-----------|--------|--------|--------|
| 35772 | 6-1/2"    | 3/4"  | 5" | 3/8"      | 1"     | Mach.  | 1-1/2# |
| 35752 | 8-1/2"    | 3/4"  | 7" | 3/8"      | 7/8"   | Mach.  | 2#     |



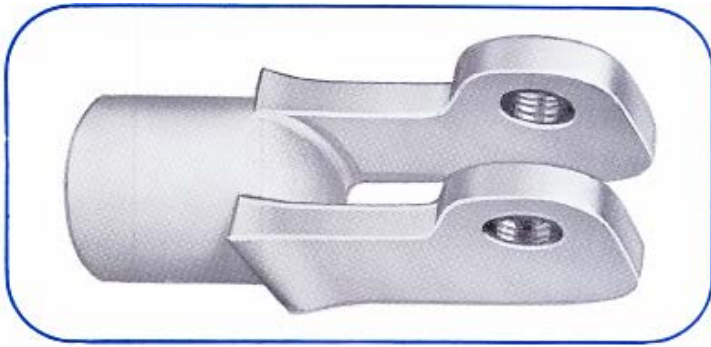
**Offset Rudder Arm**

| Part#  | OA Length | Shaft  | ϕ      | Bolt Hole | Offset | Finish | Wgt. |
|--------|-----------|--------|--------|-----------|--------|--------|------|
| 2745-1 | 8"        | 1-1/4" | 5-3/4" | 3/8"      | 1-3/4" | Mach.  | 2#   |



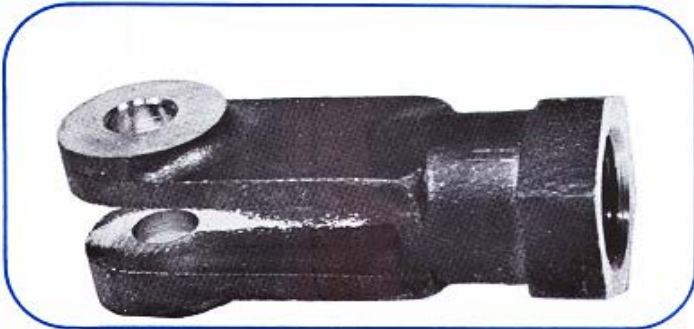
**Reverse Lever Bracket**

| Part# | OA Length | Width  | Width Open | Height | Finish | Wgt. |
|-------|-----------|--------|------------|--------|--------|------|
| 4080  | 5-3/4"    | 2-3/8" | 5/8"       | 2-1/8" | Mach.  | 1#   |



## Offset Rudder Clevis

| Part# | OA Length | Thread Size | Hole Dia. | Between Jaws | Finish | Wgt. |
|-------|-----------|-------------|-----------|--------------|--------|------|
| 35872 | 4"        | 1/2-20      | 1/2"      | Polished     | Mach.  | 1/4# |



## Rudder Clevis for use with Locknut

| Part# | OA Length | Tap for Pipe | Hole Dia. | Between | Finish | Wgt. |
|-------|-----------|--------------|-----------|---------|--------|------|
| 27086 | 4"        | 1-14 UNS     | 1/2"      | 9/16"   | Mach.  | 1#   |



## Rudder Clevis

| Part# | OA Length | Tap for Pipe | Hole Dia. | Between | Finish | Wgt. |
|-------|-----------|--------------|-----------|---------|--------|------|
| 27089 | 3-3/8"    | 1/2-14       | 1/2"      | 9/16"   | Mach.  | 1/2# |
| 27090 | 4"        | 3/4-14       | 1/2"      | 1/2"    | Mach.  | 3/4# |



## Rudder Clevis

| Part# | OA Length | Tap for Pipe | Hole Dia. | Between | Finish | Wgt.   |
|-------|-----------|--------------|-----------|---------|--------|--------|
| 37132 | 5-3/8"    | 1/2-14       | 1/2"      | 9/16"   | Mach.  | 1-1/4# |
| 27093 | 5-3/8"    | 3/4-14       | 1/2"      | 9/16"   | Mach.  | 3/4#   |



## Rudder Collar

| Part#   | ID     | OD     | Tap Size | Finish | Wgt.     |
|---------|--------|--------|----------|--------|----------|
| 2700    | 11-16" | 1-5/8" | 1/4"     | Mach.  | 4 oz.    |
| 2710-SP | 1"     | 1-1/2" | 1/4"     | Mach.  | 1/4#     |
| 27206   | 1-1/4" | 2"     | 1/4"     | Mach.  | 1/2#     |
| 27214   | 1-1/4" | 2-5/8" | 1/4"     | Mach.  | 1# 2 oz. |



## Bronze Collar for Spacer Use

(Available in All Sizes)

| Part#    | ID     | OD | SS Drive Pin | Finish | Wgt. |
|----------|--------|----|--------------|--------|------|
| 27206-SP | 1-1/4" | 2" | 3/16"        | Mach.  | 1/2# |



## Rudder Collar or Locking Spacer — Tapped Double Holes

| Part# | ID     | OD     | Hole Tapped | Finish | Wgt.   |
|-------|--------|--------|-------------|--------|--------|
| 2710  | 7/8"   | 1-1/2" | 1/4"        | Mach.  | 6 oz.  |
| 27216 | 1-3/4" | 2-3/4" | 3/8"        | Mach.  | 1-1/4# |
| 27217 | 1-1/4" | 2-1/2" | 3/8"        | Mach.  | 1-1/4# |



## Raised Boss Stringer Bracket Bronze or Aluminum

| Part# | Shaft Size | Overall Length | Hole Center to End | Width   | Thickness | Wgt. (Brz.) |
|-------|------------|----------------|--------------------|---------|-----------|-------------|
| 27412 | 1-1/4"     | 24"            | 12"                | 2"      | 3/8"      | 8#          |
| 27415 | 1-1/4"     | 23-3/4"        | 10-1/8"            | 2"      | 7-16"     | 6-3/4#      |
| 27416 | 1-1/2"     | 23-3/4"        | 10-1/8"            | 2"      | 7-16"     | 8#          |
| 27417 | 1-3/4"     | 25-3/4"        | 10-7/8"            | 2-1/4"  | 7-16"     | 9-1/2#      |
| 27418 | 1-3/4"     | 23-3/4"        | 9-7/8"             | 2-1/4"  | 7-16"     | 9#          |
| 27419 | 2"         | 27-7/8"        | 15-11/16"          | 2-7/16" | 1/2"      | 12#         |
| 27420 | 2"         | 30"            | 13"                | 2-1/2"  | 1/2"      | 12#         |
| 27422 | 2-1/2"     | 28-1/2"        | 14-1/8"            | 2-1/2"  | 1/2"      | 12-1/2#     |
| 27423 | 2"         | 33-1/4"        | 16"                | 2-1/2"  | 1/2"      | 13-1/2#     |
| 27424 | 1-1/2"     | 24"            | 12"                | 2-1/4"  | 1/2"      | 9-1/2#      |
| 27428 | 3"         | 36-1/4"        | 15-1/8"            | 3-1/2"  | 5/8"      | 26#         |
| 27430 | 2-1/2"     | 32-3/4"        | 15-3/4"            | 3-1/2"  | 5/8"      | 26#         |
| 27432 | 1-1/2"     | 24-1/2"        | 10-3/4"            | 2-1/4"  | 1/2"      | 9#          |
| 27434 | 2"         | 32"            |                    |         |           |             |
| 27435 | 1-1/2"     | 24"            |                    |         |           |             |
| 27436 | 2"         | 32"            |                    |         |           |             |
| 27442 | 2"         | 32.12"         |                    |         |           |             |
| 27447 | 1-1/2"     | 23"            |                    |         |           |             |
| 27448 | 2"         | 22-3/4"        |                    |         |           |             |
| 27453 | 2"         | 30"            |                    |         |           |             |

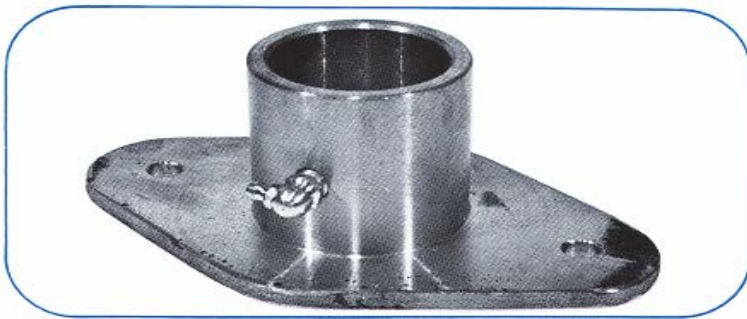




## Rudder Bearing

(Other Sizes Available)

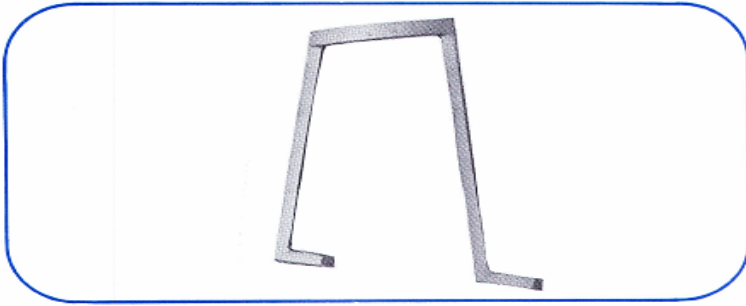
| Part# | Shaft  | Flange Length | Bolt Hole | Finish | Wgt.   |
|-------|--------|---------------|-----------|--------|--------|
| 27303 | 1"     | 5-3/8"        | 3/8"      | Mach.  | 1-1/4# |
| 27305 | 1-1/4" | 5-3/8"        | 3/8"      | Mach.  | 1-1/4# |
| 27306 | 1-1/2" | 5-1/2"        | 3/8"      | Mach.  | 1-1/2# |
| 27310 | 1-3/4" | 5-3/4"        | 3/8"      | Mach.  | 2#     |
| 27311 | 1-3/4" | 6-1/2"        | 3/8"      | Mach.  | 2-3/4# |
| 27312 | 1-1/2" | 6-1/2"        | 3/8"      | Mach.  | 3-1/2# |
| 27313 | 1-1/4" | 6-1/2"        | 3/8"      | Mach.  | 3-3/4# |



## Rudder Bearing with Zerk Fitting

(Other Sizes Available)

| Part# | Shaft  | Flange Length | Bolt Hole | Finish | Wgt. |
|-------|--------|---------------|-----------|--------|------|
| 27307 | 2"     | 7-1/8"        | 3/8"      | Mach.  | 3#   |
| 27309 | 2-7/8" | 8-1/8"        | 1/2"      | Mach.  | 6#   |



## Rudder Bracket

(Other Angles Available)

| Part# | Angle | Shaft  | Height to Center Line of Shaft Hole | Center Line of Fast. Hole | Finish | Wgt.   |
|-------|-------|--------|-------------------------------------|---------------------------|--------|--------|
| 26703 | 10    | 1-1/4" | 6-3/4"                              | 4-1/2"                    | Mach.  | 1-1/4# |
| 26704 | 15    | 1-1/4" | 6-1/2"                              | 4-1/2"                    | Mach.  | 1-1/4# |
| 26705 | 23    | 1-1/4" | 5-1/2"                              | 4-1/2"                    | Mach.  | 1#     |
| 27323 | 18    | 1-1/4" | 6-1/2"                              | 4-1/2"                    | Mach.  | 1-1/4# |
| 27326 | 5     | 1-1/4" | 6-5/16"                             | 4-1/2"                    | Mach.  | 1-1/2# |



## Bell Crank

| Part# | Arm Length | Offset of Arm | Hole Dia. | Finish | Wgt. |
|-------|------------|---------------|-----------|--------|------|
| 3165  | 3-1/5"     | 1"            | 1/4"      | Mach.  | 1/4# |



## Bell Crank

| Part# | Arm Length | Offset of Arm | Hole Dia. | Finish | Wgt. |
|-------|------------|---------------|-----------|--------|------|
| 3170  | 3-1/8"     | 3/4"          | 1/4"      | Mach.  | 1/2# |